

Respect OC



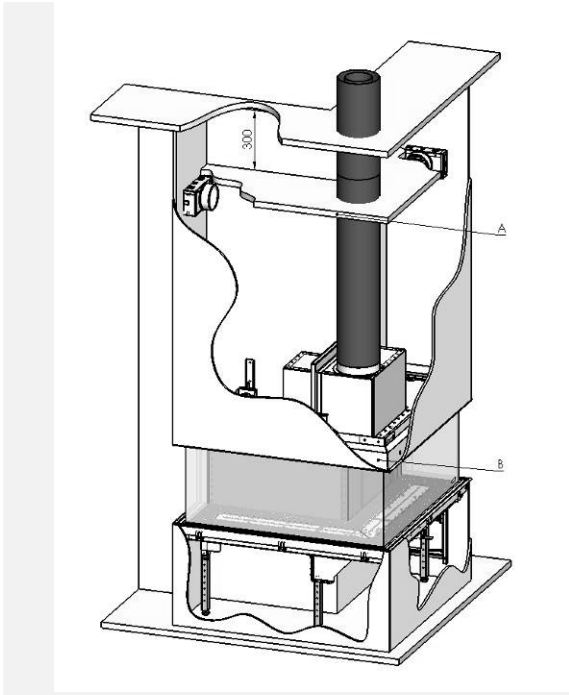
40011335-1235

ENG

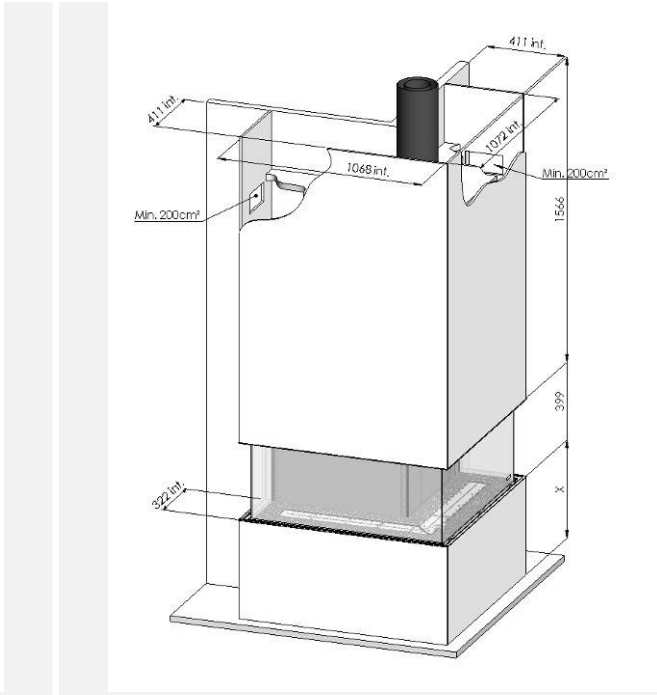
Installation manual

ENG

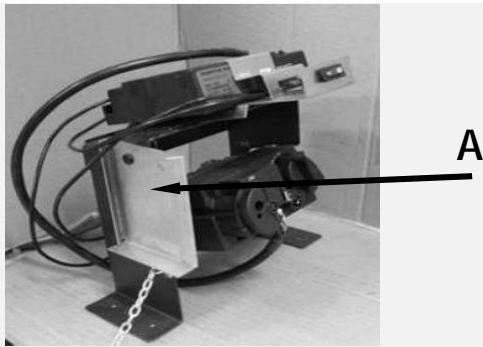
 **faber**



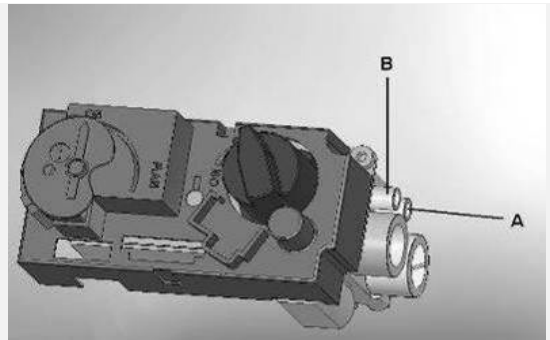
1.1



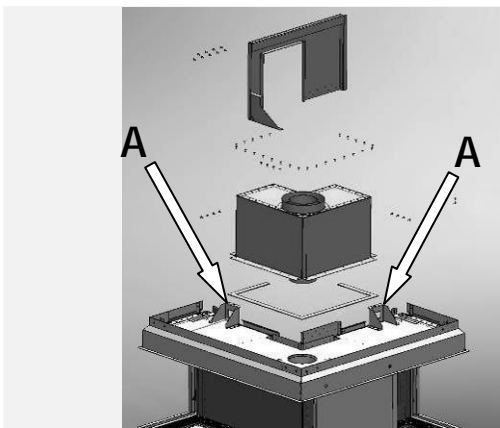
1.2



1.3



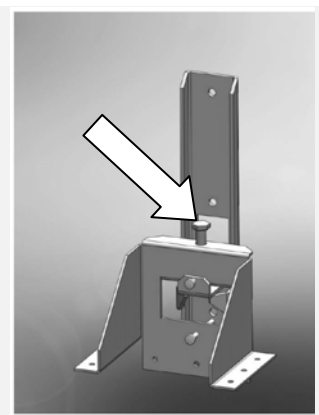
1.4



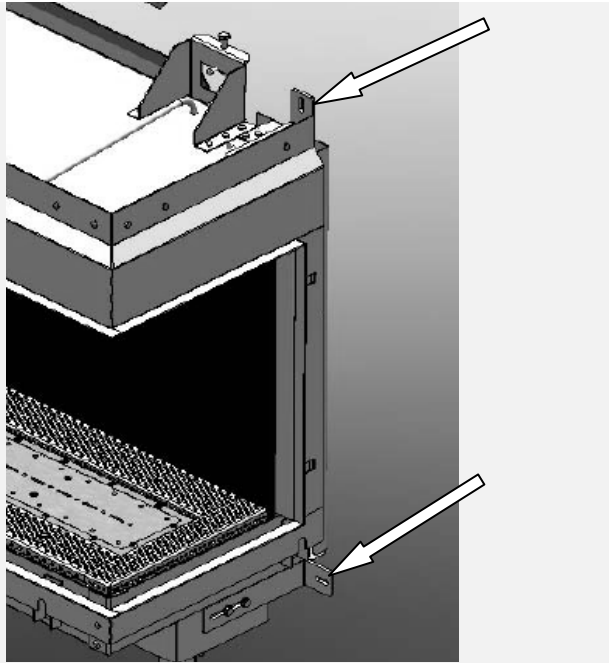
2.1



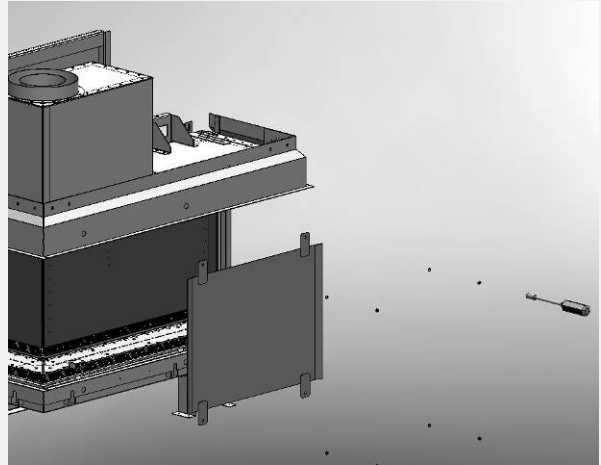
2.2



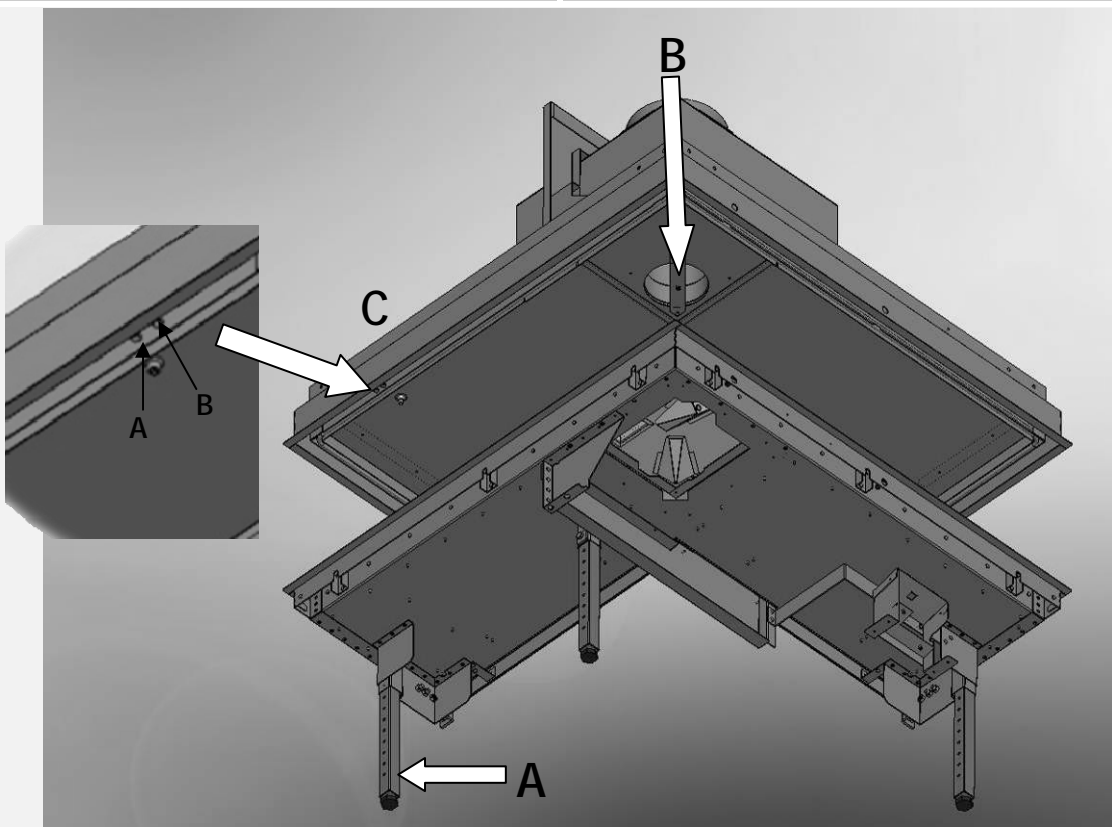
2.3



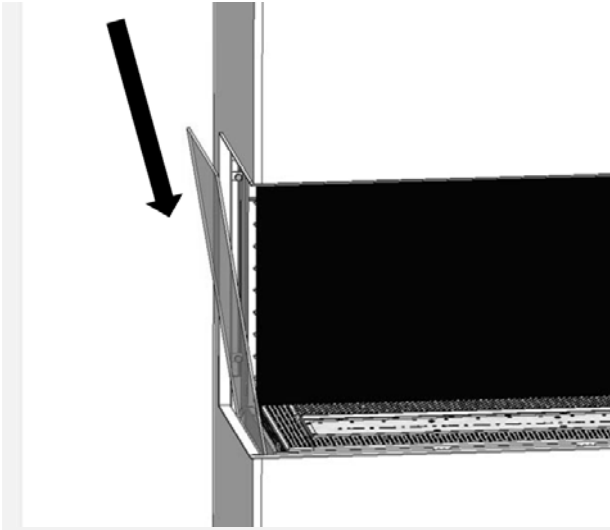
2.4



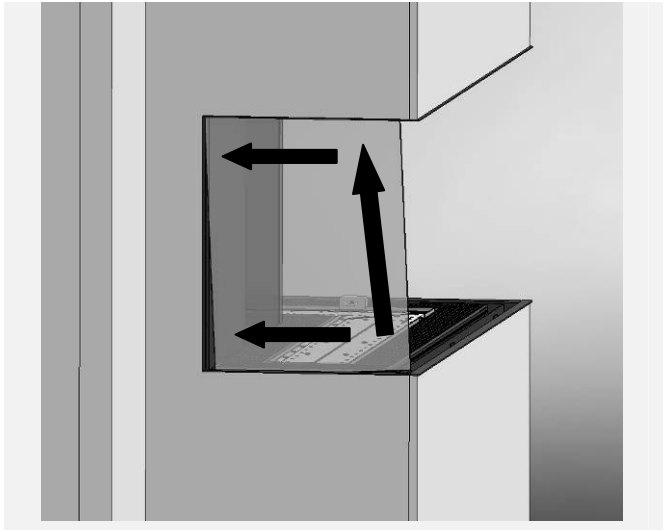
2.5



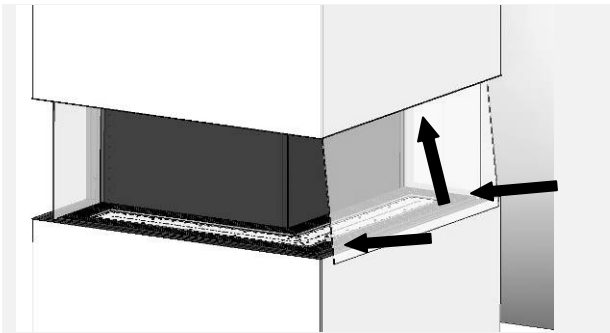
2.6



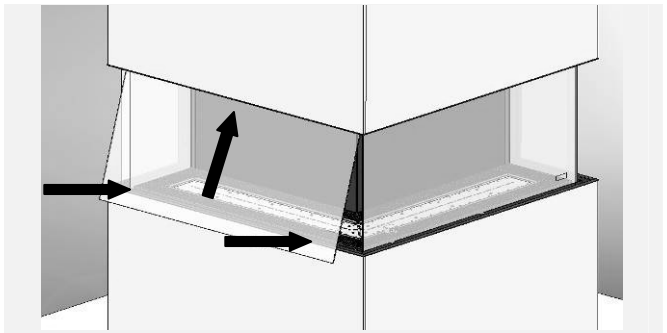
3.1



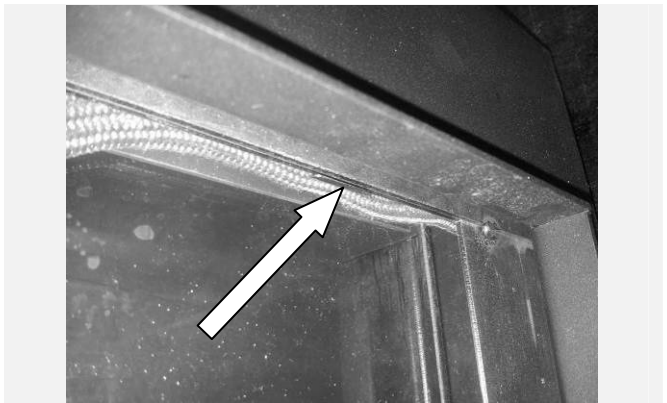
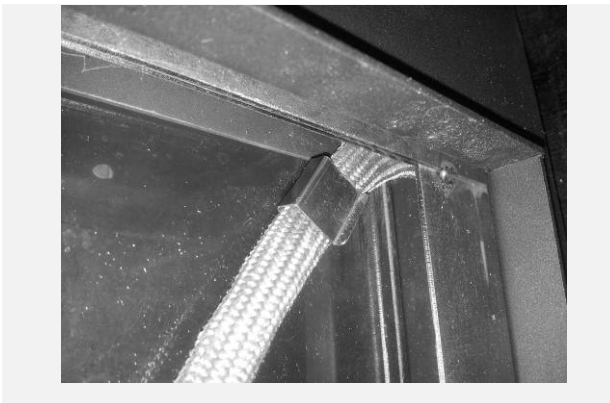
3.2



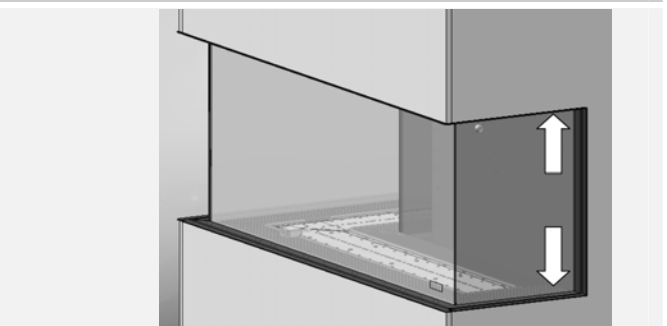
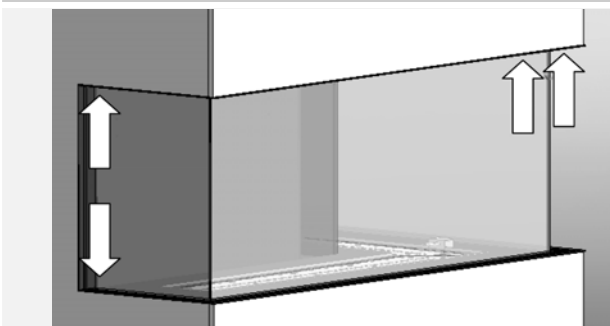
3.3



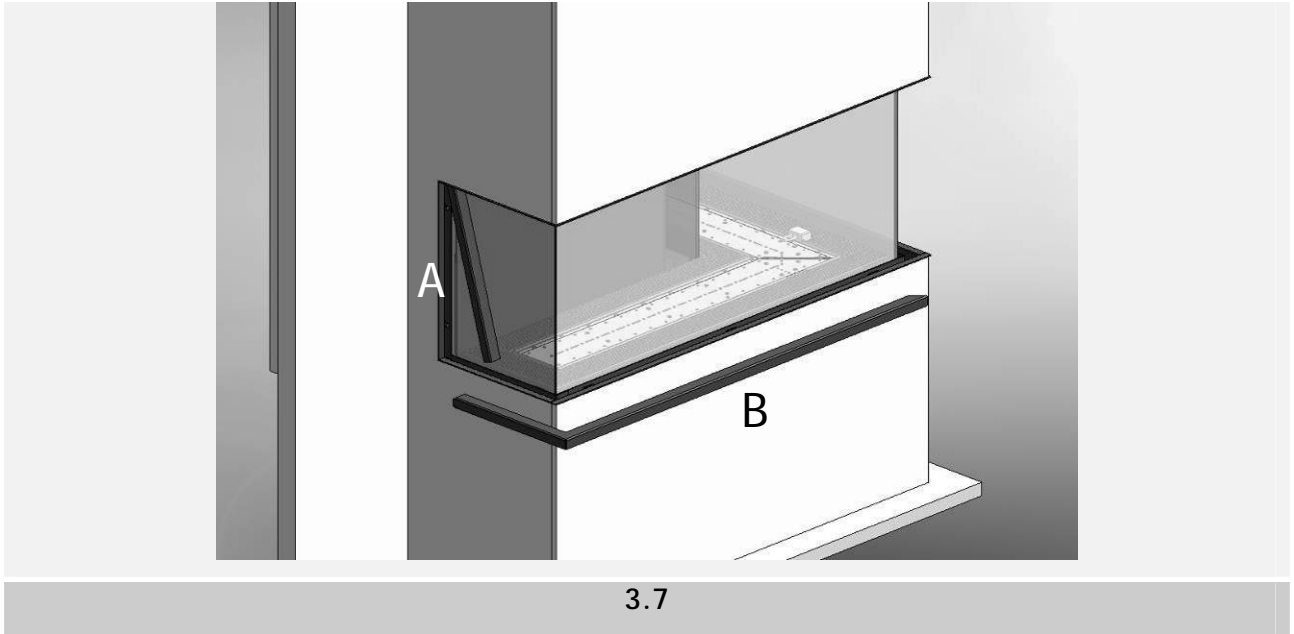
3.4

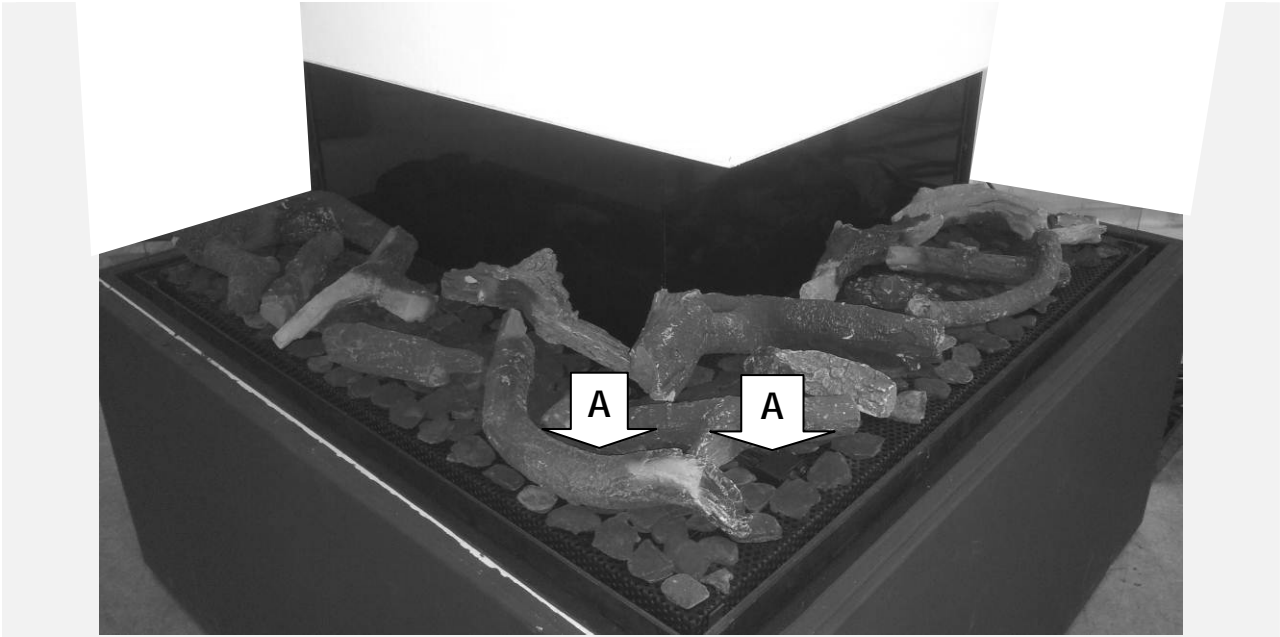


3.5

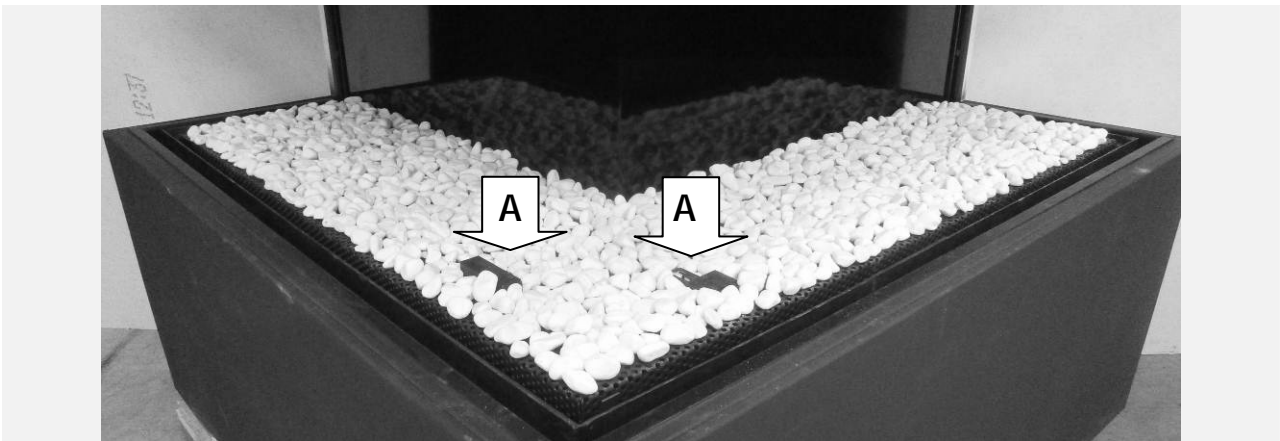


3.6

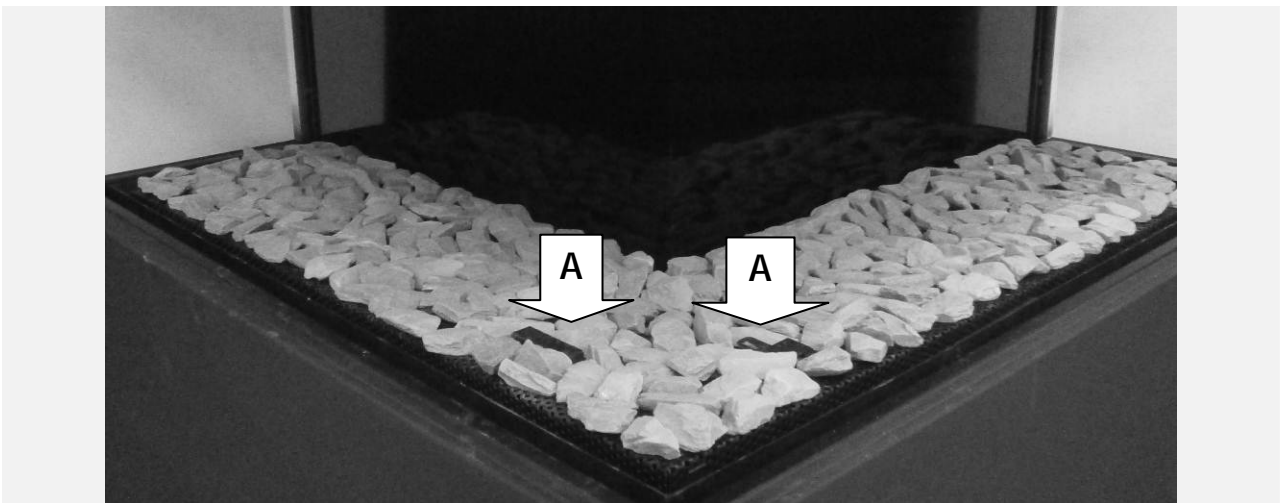




4.1



4.2



4.3

1 Introduction

The appliance can only be installed by a competent person in accordance with the Gas Safety. We urgently advise you to read this installation manual properly.

This appliance complies with the guidelines for European gas appliances (Gas Appliances Directive) and bears the CE mark.

2 Safety instructions.

- The appliance should be placed, connected and annually checked in accordance with these installation instructions and valid national and local Gas Safety (Installation and Use) Regulations .
- Check whether the data on the registration plate are in agreement with the local type of domestic gas and pressure.
- The fitter is not permitted to change these adjustments or the construction of the appliance!
- Do not place any additional imitation logs or glowing coals on the burner or in the combustion chamber.
- The appliance has been designed for ambience and heating purposes. This means that all surfaces of the appliance , including the glass, can become very hot (hotter than 100 °C). An exception to this are the bottom of the appliance and the controls.
- Do not place any inflammable materials within a of 0.5 m. of the radiation of the appliance and ventilation grills.
- Due to natural air circulation of the appliance, moisture and volatile components from paint, building materials, floor coverings etc. that haven't yet set, can be drawn through the convection system and can be deposited on cold surfaces as soot. That is why you should not use the appliance shortly after a renovation.
- The first time the appliance is switched on, Let the fire run on maximum setting for several hours so that the lacquer coating will have an opportunity to set and possible vapours released can be safely removed by ventilation. We advise

you to be outside the room as much as possible during this process!

- Please note that:
 - all transport packaging should be removed.
 - children or pets should not be present in the room.

3 Installation requirements

3.1 The fire

- The appliance must be built into an existing or a newly to be constructed false chimney breast.
- In appliances with flexible gas pipes, the gas control valve is mounted to the right side of the fire for safe transport . Unscrew it and mount it at a distance of max. 30 cm behind the access door.
- The receiver which has been attached in a transport holder (see fig. 1.3 A) to the side of control valve bracket, can now be slid onto the top of the control valve bracket. The transport holder can be removed now.

3.2 False Chimney breast

- The false chimney breast must be constructed of an non-combustible material.
- Always ventilate the space above the appliance by means of the grills or a comparable alternative with a minimum air supply of 200 cm².
- For the finish, use special stucco (min. 100°C resistant) or glass fibre wallpaper to prevent discoloration or cracks etc. Recommended drying time: for plaster is a minimum of 24 hours per mm of coat applied.
- The false chimney breast and its construction may not rest on the appliance

3.3 Requirements flue system and outlets

- You should always make use of the materials prescribed by Faber Only by using these materials can Faber guarantee a proper functioning.
- The outside of the concentric flue material can reach a temperature of
- Approx. 150°C. Make sure of proper isolation and protection in case of

transit through combustible wall or ceiling constructions. And observe sufficient distance.

- Make sure that the concentric flue materials are bracketed every 2 metres when they have an extended length, so that the weight of the flue material is not resting on the appliance itself.
- You may never start with a cut-down concentric pipe directly on to the appliance.

3.4 terminals

The flue outlet can end on an external wall or a roof. Check whether the outlet desired by you complies with local requirements concerning good function and ventilation systems.

For a proper functioning the terminal should be at least 0.5 m. away from:

- Corners of the building.
- Roof overhangs and balconies.
- Eaves (with the exception of the roof ridge).

4 Preparation and Installation instructions

4.1 Gas connection

The gas connection must comply with locally valid standards.

We advise Pipe work from the meter to the appliance must be of adequate size., with near the appliance a gas isolater tap that should always be accessible. Place the gas connection in such a way that this is easily accessible, and that before service, the burner unit can be disconnected at all times.

4.2 Electric connection

If an adapter is used for the power supply, then a wall socket 230VAC - 50Hz must be mounted in the close neighbourhood of the hearth.

4.3 Preparation of the appliance

- Remove the packaging of the appliance. Make sure the gas pipes underneath the appliance are not damaged.
- Clear a safe space to store the frame and the glass.
- Remove the frame, (if necessary) and the glass and take the separately wrapped parts out of the appliance

- Prepare the gas connection to the gas control valve.

4.4 Moving the appliance

If necessary the upper parts of the appliance can be taken off, this gives a minimum dimension of the appliance (780mm), then the appliance can be transported on the back side (see fig. 2.1)

It is only allowed to remove the transport plate after the appliance is fixed on the wall (See fig.2.5)

4.5 Placing the appliance

Take the installation requirements into account (See chapter 3)

Correct Levelling of the appliance is very important, otherwise it is possible that the glass plates not match.

The unit should always be fixed on a wall, by use of the supplied mounting and fixation brackets (See fig. 2.1 A up to 2.4)

4.5.1 Standing on the floor

Place the appliance into the proper position and if necessary, adjust the height with the adjustable legs.

Adjusting the height and levelling the appliance with a spirit level.

Rough height adjustment:

- with the extending legs, or the long additional legs.

Accurate:

- with the rotating adjustable legs.

Use the fixation brackets to fix the unit on the wall, (See fig 2.1 A up to 2.4) Remove now the transport plate (See fig. 2.5)

4.5.2 Suspended from the wall

check the strength of the wall, the Respect weighs approximate, 150 kilos

Determine where the unit will be fitted and install the mounting brackets on the wall (See fig.2.2)

Now the appliance can hang on these brackets.

Level the unit with the adjustable screws in the mounting brackets (See fig. 2.3)

Use the fixation brackets to fix the unit on the wall (See fig. 2.4)

Check if the appliance is aligned and square. Now you can remove the transport plate. See fig. 2.5)

Before proceeding with the installation of the fire Install the side and front glass of the fire to check the squareness (See chapter 6)
With a correct squareness of the unit, all glass panel will match correctly to each other

Note: remove all glass panels after this check and proceed the installation work.

4.6 Mounting the flue materials.

- In case of a wall or roof terminal, the hole must be at least 5 mm bigger than the diameter of the flue material.
- Horizontal parts must be installed at a (3 degree) slope up away the appliance.
- Build up the system from the appliance. If this is not possible, you should make use of a adjustable pipe
- For fitting the system a ½ metre cut-down pipe should be used. Make sure the inner pipe is always 2 cm longer than the outer pipe. Wall and roof terminal are also shortened. These parts must be secured with a self-tapping screw.
- Do not insulate but ventilate build-in flue material (approx.100cm²)

4.7 Building a chimney breast.

Before constructing the chimney breast we advise you to perform a function test with the appliance as described in chapter 7 "checking the installation"

4.8 Chimney breast

- Construct the chimney breast from non-combustible material in combination with metal profiles or of brickwork / aerated concrete bricks.
- Take the grills and the service panel into account. (see fig. 1.1 and 1.2). Place a protective shield made of non-combustible material above the grills (see fig 1.1 A) .
- Always use a lintel if the chimney breast is constructed of brickwork. These should not rest onto the build-in frame.
- The chimney construction may not resting on the build-in frame

5 Placing the decorative material

It is not allowed to add different or more materials to the combustion chamber.
Always keep the pilot burner and the second thermocouple free from decorative material!
(See fig. 4.1 A up to 4.3 A)
Do not toss all the decorative material onto the burner all at once, it can be obstructed by dust particles.

5.1 Imitation logs

- Place a number of the chips onto the burner and on the cover plate
- Place the imitation logs according to instructions. (see fig. 4.1 or imitation logs instruction card supplied)
- Divide the remainder of the chips over the burner and the cover plate . Avoid a thick layer onto the burner, this has a negative effect on the fire image.
- Ignite the pilot and main burner according to the instructions in the user's manual. Assess whether the flame division is correct. If necessary, move the chips until there is a proper division of flames.
- Place the glass and check the fire image.

5.2 Pebbles / Grey stone

- Place the pebbles over the burner and the bottom. Spread the pebbles evenly to a double layer. The surface of the pebbles may be very slightly elevated from the burner (see fig.4.2 and 4.3)
- Place the glass and check the flame picture into the appliance

6 Installation front and side glass

Take all glass part out the packing and use the suction discs for placing the glass, the side glass need to be install first

Note: before placing the glass remove all fingerprints on the glass, these will be burned into it once the appliance is used.

6.1 Placing side glass

- Slide the glass between the groove and built-in frame (See fig.3.1)
- (Next steps all in one move) keep the glass tilted slightly to the side (See fig.3.2).

Now slide the glass up into the upper groove and then place the glass in the bottom groove

6.2 Placing the front glass

Note: first install the right side part

slide the glass in the upper groove and then let it slide in to the bottom groove (see fig.3.3)

Place the left-hand glass in the same way (see fig.3.4)

6.3 Place the sealing cord in the groove

Place the sealing cord and start in the right-hand corner, push the sealing cord in the clips on each indicated spot between the glass and groove (see fig.3.5 and 3.6)

Place the cover trims A on the side and B on the bottom. (See fig.3.7)

For dismounting the glass: repeat the process in reverse order.

7 Checking the installation.

7.1 Checking the ignition of the pilot burner, main burner.

Start the pilot and main burner according to the instructions in the user's manual.

- Check whether the pilot light is properly positioned above the main burner and is not covered by chips, an imitation log or pebbles.
- Check the ignition of the main burner at full mark or low mark. (the ignition should take place quickly and easily).

7.2 Checking for gas leakage.

Check all connections and joins for possible gas leaks by means of a gas leak detector or spray

7.3 Checking the burner pressure and the pre-pressure

Measuring the inlet-pressure:

- Turn off the gas control tap.
- Open the pressure gauge nipple B (see figure 1.4) a few turns and connect a pressure gauge hose to the gas control valve.
- Carry out this measurement when the appliance is on at full gas mark and when it is on the pilot light.

- If the inlet pressure is too high you are not permitted to connect the appliance.

Measuring the burner pressure:

Only perform this measurement if the inlet-pressure is correct.

- Open the pressure gauge nipple A (see fig. 1.4) a few turns and connect a pressure gauge hose to the gas control valve.
- The pressure must correspond with the value indicated in the technical info of this manual (chapter 13). In case of deviations, get in touch with the manufacturer.

* Close the pressure gauge nipples and check these for gas leaks.

7.4 Checking the flame image.

Allow the appliance to burn for at least 20 minutes at full gas mark and then check the flame image for:

1. Distribution of the flames
2. Colour of the flames

If either one or both points are unacceptable, then check:

- The positioning of the imitation logs and/or the quantity of pebbles or chips on the burner.
- The connections of the tube materials for leakage (in case of blue flames)
 - Whether the correct restrictor has been mounted
 - The outlet .
 - Wall terminal the correct side up and the correct position
 - Roof terminal the correct position
- Whether the horizontal lengths of the flue pipes have not been exceeded

With CO/CO₂ measure equipment you have the possibility to measure the quality of the flue gases and fresh air

There are two measure points between the glass and build-in frame.

One for measuring the air intake(B) and one for the flue gases(A). (see fig.2.6 C, A and B)

The ratio of CO₂ and CO level may not exceed 1:100

Example:

If CO₂ is 4,1 % max CO 410ppm

If the ratio exceeds 1:100 or flue gases are measured in the fresh air you should also check the above points.

For the Respect count measured value of 1.5 % Co₂ in the fresh air, this will not have a bad effect for the working of the appliance.

8 Instructing the client

- Recommend that the appliance be serviced annually by a competent person in order to guarantee a safe use and a long lifespan.
- Advise and instruct the client about maintenance and cleaning of the glass. Emphasize the risk of burning in fingerprints.
- Instruct the client about the operation of the appliance and the remote control unit, including the replacement of the batteries and adjusting the receiver for initial use.
- Hand over to the client:
 - Installation manual
 - User's manual
 - Imitation logs instruction card
 - Suction lifters

9 Annual maintenance

9.1 Service and cleaning:

- Check and clean if necessary after checking:
 - The pilot light
 - The burner
 - The combustion chamber
 - The glass
 - The logs for possible fractures
 - The outlet

9.2 Replace:

- If necessary the chips/embers.
- in an LPG flat burner replace the burner sheet

9.3 Cleaning the glass

Most of the deposits can be removed with a dry cloth. You can use ceramic hob cleaner to clean the glass.

Note: prevent fingerprints on the glass. these will be burned into it once the appliance is used and cannot be removed anymore!

Carry-out the check-up according to the instructions in (chapter 7) "checking the installation".

10 Conversion to a different type of gas (e.g. propane)

This can only be done by installing the proper burner unit. for this purpose get in touch with your supplier.

Always mention the type and serial number of the appliance when ordering.

11 Calculation of flue system

Using the flue calculation spread sheet, you can make a flue calculation. (see chapter.13) There is also a App. available, Which can be downloaded with the following code.



The possibilities for the lengths of flue pipes and the possible restrictors have been recorded in a table (see chapter 11.11 and 11.12) This table works with a Starter length (STL) Total vertical height (TVH) and Total horizontal length (THL)

11.1 Starter length (STL)

Is the first flue part installed on the fireplace and represents a certain value (fig.12.2 and 12.3 A,N, F)

This value is showed in the top row of the table (see table 11.11 and 11.12)

11.2 Total Vertical Height (TVH)

TVH is the total height, measured from the top of the fireplace to the terminal. Indicated as TVH., This can be measured or determined from the construction drawing.

see also the TVH indication in the drawings. (fig. 12.1 12.2 and 12.3: TVH)

11.3 Total Horizontal length:(THL)

THL is the calculated Horizontal Length and may consist of bends or pipe lengths in the horizontal direction. Indicated as I, K, and Q for bends and H, j, L, M, P and R for pipes. (fig.12.1 and 12.2)

11.4 Total length of horizontal flue:

In the drawings the horizontal pipe lengths consists of the elements H, J, L, M, P and R. (fig. 12.1 and 12.2)

11.5 90° bends in the horizontal direction

Only bends in the horizontal direction. Indicated as I, K and Q. (fig.12.1,12.2 and 12.3)

11.6 45° of 30 bends in the horizontal direction

Only bends in the horizontal direction.

11.7 90° bends from vertical to horizontal direction

90° bends from vertical to horizontal direction or reversed. Indicated as G, O and S. fig.12.2 and 12.3)

11.8 45° of 30 ° bends from vertical to horizontal direction

30° or 45° bends in the vertical direction. Indicated as B and D. (fig 12.1)

11.9 Flue pipes under 45° or 30° gradient::

Flue pipes installed with an angle of 30° or 45° in the vertical direction.

Indicated as C. (fig 12.1) Only possible in combination with 2 pieces of 45° or 30° bends in the vertical plane

11.10 Table:

NOTE : for this appliance is a table for the flue pipe diameter 100/150mm (11.11) and a table for the flue diameter 130/200mm (11.12)

Find the correct vertical (TVH) and horizontal (THL).lengths in the table.

In case of an "x", or if the values are outside the table, the combination is not permitted.in this case, change the length of the TVH or THL. If a value is specified, verify that the calculated STL value is not lower than indicated in the table. If so than the STL must be changed

The value found indicates the width of the restrictor to be placed ("0" means no restrictor should be placed).

Generally a 30mm restrictor is pre-installed. (See fig. 2.6 B)

11.11 Table flue pipe diameter 100/150mm
Vertical (TVH) and Horizontal (THL)

STL →

TVH ↓

STL	0,1									
THL in meters	0	1	2	3	4	5	6	7	8	THL
0	x	x	x	x	x	x	x	x	x	
0,5	x	x	x	x	x	x	x	x	x	
1	x	x	x	x	x	x	x	x	x	
1,5	0,2	x	x	x	x	x	x	x	x	
2	30,2	x	x	x	x	x	x	x	x	
3	30,2	x	x	x	x	x	x	x	x	
4	40,2	x	x	x	x	x	x	x	x	
5	40,2	x	x	x	x	x	x	x	x	
6	50,2	x	x	x	x	x	x	x	x	
7	50,2	x	x	x	x	x	x	x	x	
8	60,2	x	x	x	x	x	x	x	x	
9	60,2	x	x	x	x	x	x	x	x	
10	60,2	x	x	x	x	x	x	x	x	
11	70,2	x	x	x	x	x	x	x	x	
12	70,2	x	x	x	x	x	x	x	x	
13	70,2	x	x	x	x	x	x	x	x	
14	70,2	x	x	x	x	x	x	x	x	
15	80,2	x	x	x	x	x	x	x	x	
16	80,2	x	x	x	x	x	x	x	x	
17	80,2	x	x	x	x	x	x	x	x	
18	80,2	x	x	x	x	x	x	x	x	
19	80,2	x	x	x	x	x	x	x	x	
20	80,2	x	x	x	x	x	x	x	x	
21	80,2	x	x	x	x	x	x	x	x	
22	80,2	x	x	x	x	x	x	x	x	
23	80,2	x	x	x	x	x	x	x	x	
24	80,2	x	x	x	x	x	x	x	x	
25	80,2	x	x	x	x	x	x	x	x	
26	80,2	x	x	x	x	x	x	x	x	
27	80,2	x	x	x	x	x	x	x	x	
28	80,2	x	x	x	x	x	x	x	x	
29	80,2	x	x	x	x	x	x	x	x	
30	80,2	x	x	x	x	x	x	x	x	

TVH in meters

11.12 Table for flue pipe diameter 130/200mm

Vertical (TVH) and Horizontal (THL)

STL	0,1	0,2	0,5	0,5	1	1	1	1	1
THL in meters	0	1	2	3	4	5	6	7	8
TVH in meters	0	x	x	x	x	x	x	x	x
	0,5	x	30,4	x	x	x	x	x	x
	1	30,4	40,4	30,4	0,4	0,4	x	x	x
	1,5	40,4	50,4	40,4	30,4	0,4	0,4	0,4	x
	2	50,4	60,4	50,4	40,4	30,4	0,4	0,4	0,4
	3	60,4	65,4	60,4	50,4	40,4	30,4	0,4	0,4
	4	65,4	70,4	65,4	60,4	50,4	40,4	30,4	0,4
	5	70,4	70,4	70,4	65,4	60,4	50,4	40,4	30,4
	6	70,4	70,4	70,4	70,4	65,4	60,4	50,4	40,4
	7	70,4	80,4	70,4	70,4	70,4	65,4	60,4	50,4
	8	80,4	80,4	80,4	70,4	70,4	70,4	65,4	60,4
	9	80,4	80,4	80,4	80,4	70,4	70,4	70,4	65,4
	10	80,4	80,4	80,4	80,4	80,4	70,4	70,4	70,4
	11	80,4	80,4	80,4	80,4	80,4	70,4	70,4	70,4
	12	80,4	80,4	80,4	80,4	80,4	70,4	70,4	70,4
	13	85,4	80,4	80,4	80,4	80,4	70,4	70,4	70,4
	14	85,4	85,4	80,4	80,4	80,4	70,4	70,4	70,4
	15	85,4	85,4	80,4	80,4	80,4	70,4	70,4	70,4
	16	85,4	85,4	80,4	80,4	80,4	70,4	70,4	70,4
	17	85,4	85,4	80,4	80,4	80,4	70,4	70,4	70,4
	18	85,4	85,4	80,4	80,4	80,4	70,4	70,4	70,4
	19	85,4	85,4	80,4	80,4	80,4	70,4	70,4	70,4
	20	85,4	85,4	80,4	80,4	80,4	70,4	70,4	70,4
	21	85,4	85,4	80,4	80,4	80,4	70,4	70,4	70,4
	22	85,4	85,4	80,4	80,4	80,4	70,4	70,4	70,4
	23	85,4	85,4	80,4	80,4	80,4	70,4	70,4	70,4
	24	85,4	85,4	80,4	80,4	80,4	70,4	70,4	x
	25	85,4	85,4	80,4	80,4	80,4	70,4	x	x
	26	85,4	85,4	80,4	80,4	80,4	x	x	x
	27	85,4	85,4	80,4	80,4	x	x	x	x
	28	85,4	85,4	80,4	x	x	x	x	x
29	85,4	85,4	x	x	x	x	x	x	
30	85,4	x	x	x	x	x	x	x	

12 Example

fig. 12.1

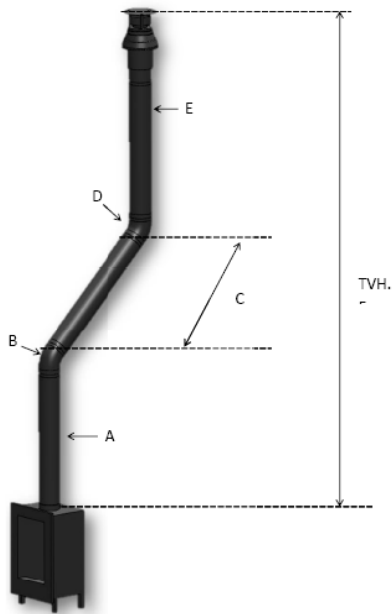


fig.12.2

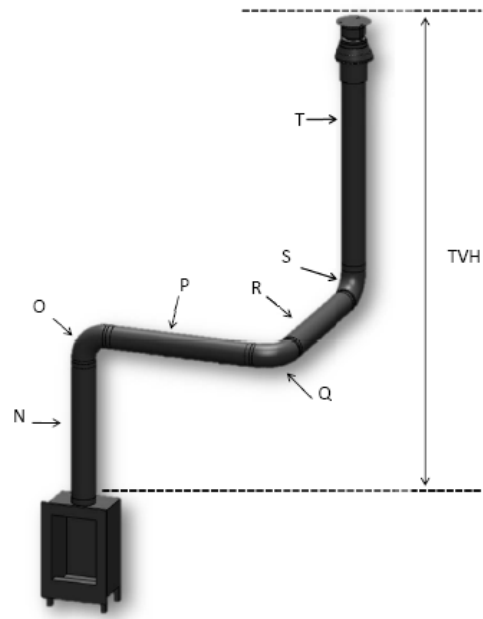
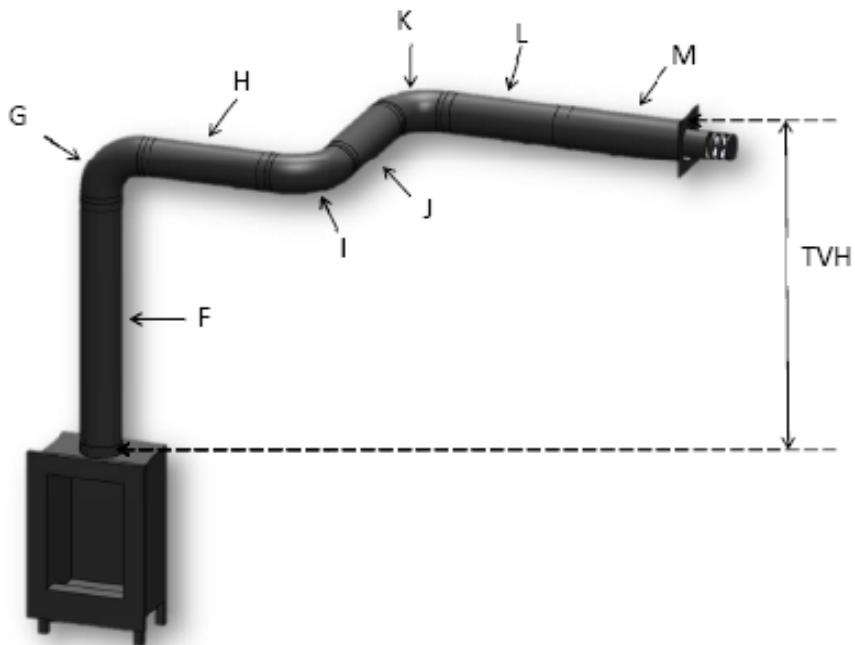


fig. 12.3


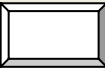

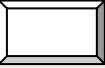


13 Flue calculation spread sheet

Starter length (STL)				
First part on top of the appliance			value	completed
Flue length from 0,1m till 0,45m			0,2	
Flue length from 0,5m till 0,90m			0,5	
Flue length from 1m till 1,4m			1	
Flue length from 1,5m till 2m			1.5	
Flue length from 2M or more			2	
Bends 90°			0,1	
Bends 45° 30° of 15			0,2	
Roof terminal			1	
Wall terminal			0	

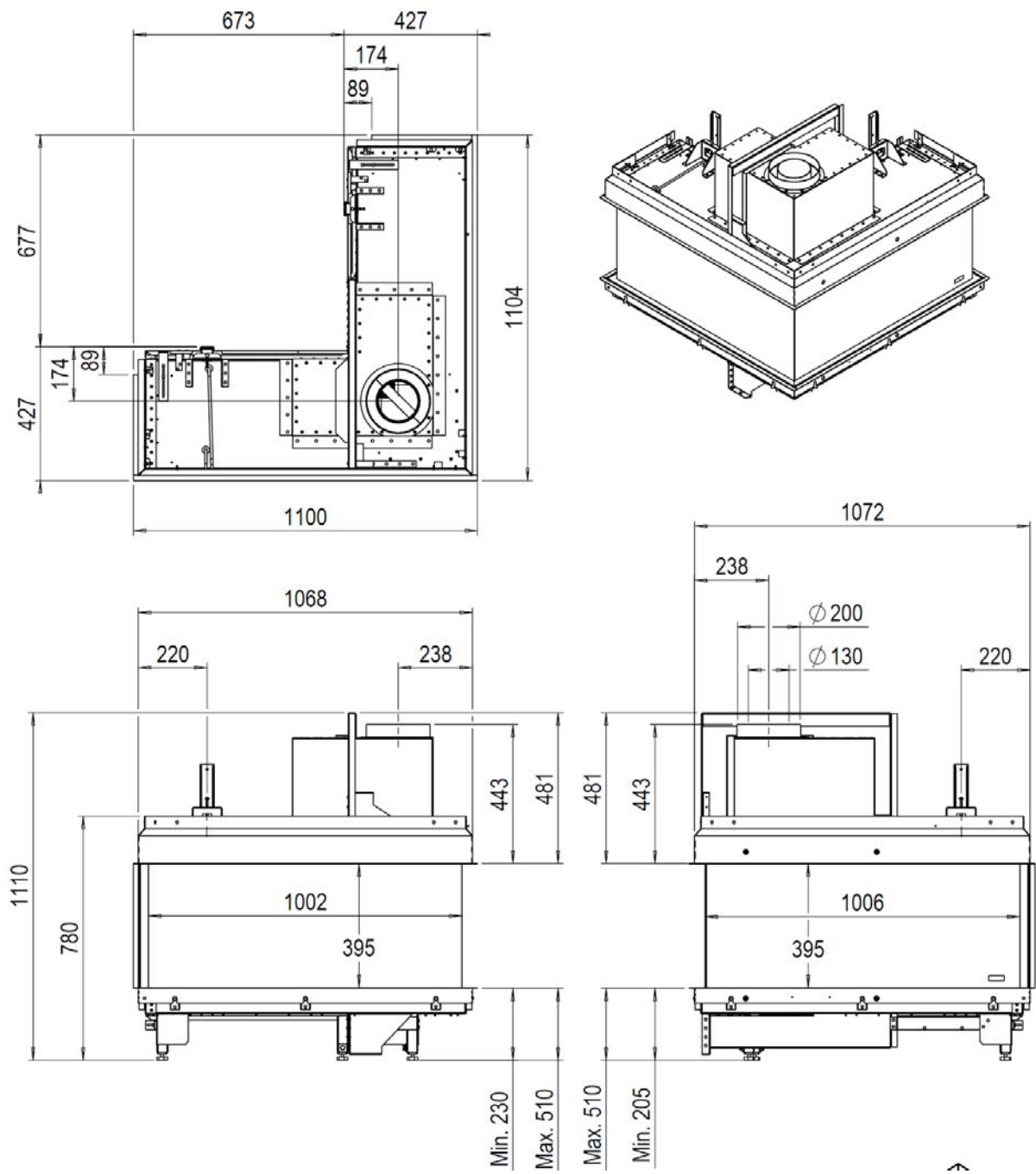
Total Vertical Height (TVH)				
measured height				rounded value
_____ meter				_____ meter
Total Horizontal Length (THL)				
calculate				
Part	number	x	value	result
Total length in meters	_____	x	1	_____
90° bends vertical to horizontal	_____	x	0,4	_____
45° bends vertical to horizontal	_____	x	0,2	_____
90° bends in the horizontal direction	_____	x	1,5	_____
45° bends horizontal direction	_____	x	1	_____
tubes at an angle in meters	_____	x	0,7	_____
Total				_____+
				_____ meter

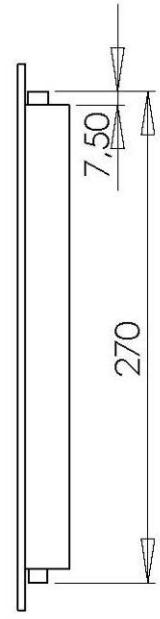
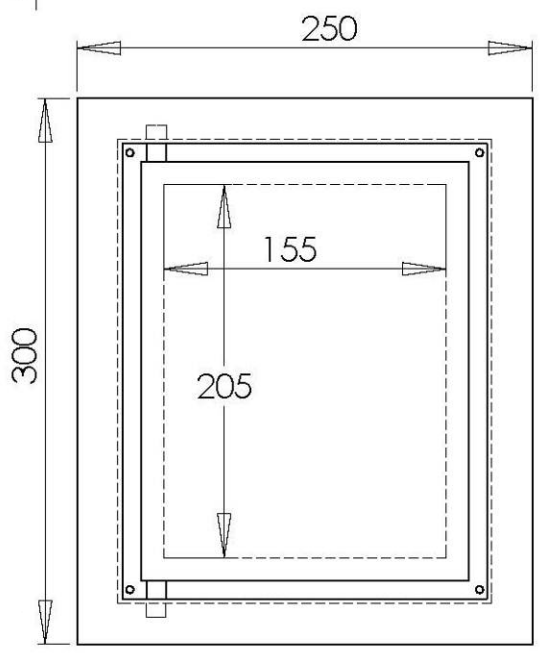
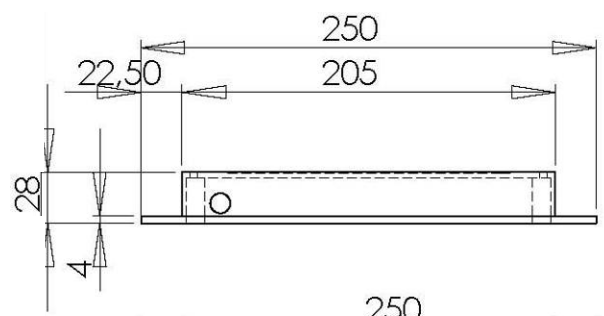
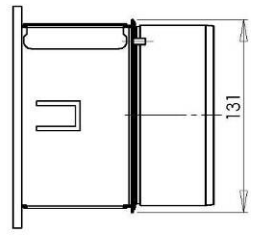
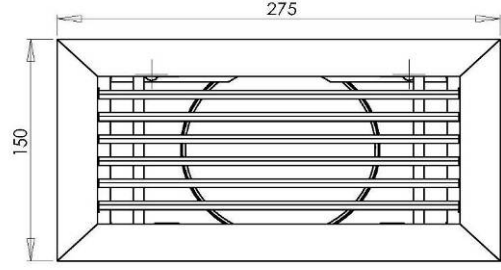
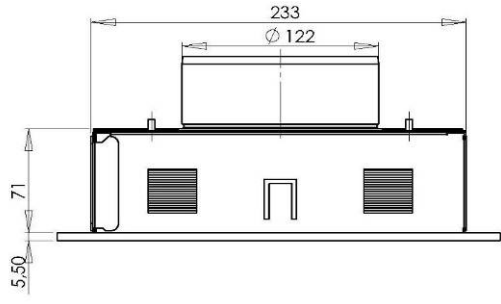


Search in the table at TVH and THL and enter the value that is found		found value
Is the detected value is a number check whether the completed STL is higher or equal to the value in the table.		
Is the found value x a is the situation is not possible, Solution: change the TVH or THL		
STL value is less than as specified in the Table installation is Not possible Solution: Start length to low see for the minimum length in the top row of the table		
Results		
Restrictor size = Found value for the comma.		mm
Extra information = Found value behind the comma.		Mark which is applied
Install the Air restrictor plate , see installation manual	0,1	
Install adapter 100/150 direct on top the fire.	0,2	
In case of wall terminal install adapter 100/150 before the last bend, in case of roof terminal just before the terminal	0,3	
In case of roof terminal (always size 100/150) install the 100/150 adapter just before the terminal. Wall terminal 130/200	0,4	

Gascat.		I12H3+	I12H3+	I12H3+
Type		C11 C31	C11 C31	C11 C31
Reference gas		G20	G30	G31
Input Nett	kW	14.5	14.6	13.2
Efficiency class		2	2	2
NOx class		5	5	5
inlet-pressure	mbar	20	30	37
Gas rate at 15°C and 1013 mbar	l/h	1533	452	519
Gas rate at 15°C and 1013 mbar	gr/h	-	1140	970
Burner pressure at full mark	mbar	10	23.0	28
Injector main burner	mm	7x0.89 7x1.09	7x0.54 7x0.61	7x0.54 7x0.61
Reduced input restraint	mb	Adjustable (4.4)	Adjustable (14.3)	Adjustable (17)
Pilot assembly		SIT 145	SIT 145	SIT 145
Code		36	23	23
Diameter inlet / outlet	mm	200/130	200/130	200/130
Gas control valve		GV60	GV60	GV60
Gas connection		3/8"	3/8"	3/8"
Electrical connection	V	220	220	220
Batteries receiver	V	4x AA (1,5V)	4x AA (1,5V)	4x AA (1,5V)
Batteries sender	V	9	9	9

15 Dimensions













www.faber.nl - info@faber.nl

Saturnus 8 NL - 8448 CC Heerenveen

Postbus 219 NL - 8440 AE Heerenveen

T. +31(0)513 656500

F. +31(0)513 656501

Dealer info: