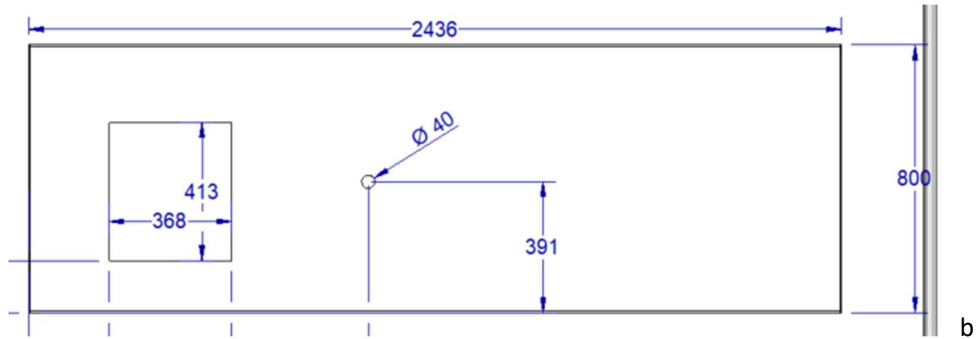


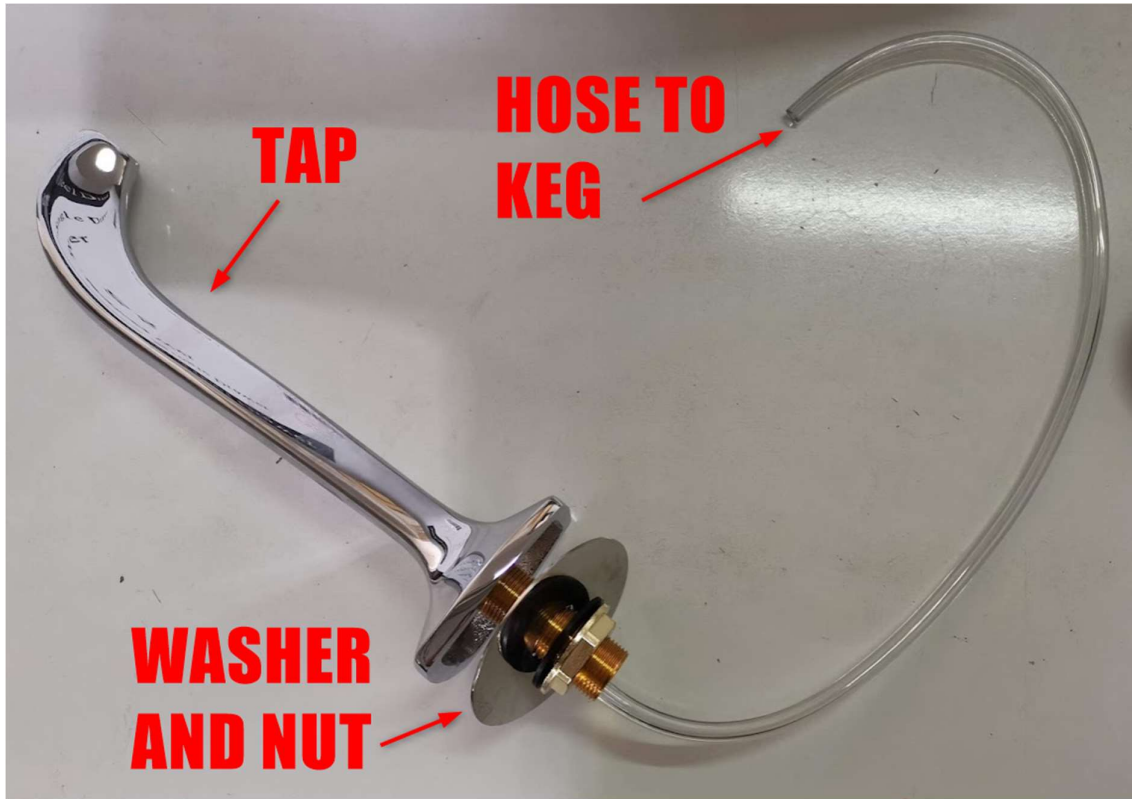
A hole is required on the TOP STRUCTURE according to the following dimensions.



This is to allow the connections of the KEGORATOR TAP to pass through to the refrigerator utilising an opening on the top of the refrigerator (see below). The opening is covered, and this can be removed by pushing upwards from within the kitchen.



The KEGORATOR TAP and hose can pass through. The TAP can then be fastened using the washer and nut assembly on the bottom of the TAP as seen below. The Hose will have to be connected to the KEG.



Other connections required are the Co2 Bottle and Valve which are connected together, and the hose is then connected to the KEG. The Gas cylinder can be kept outside the refrigerator by drilling a hole at the back of the fridge however it is more convenient to place it inside the refrigerator. Since it is important that the gas cylinder has to be kept upright if possible and away from sources of heat.



The last connections are the to the KEG COUPLER which is connected to the KEG. The hose coming from the Co2 gas cylinder and the KEG TAP are connected to the coupler as seen below.

