

INSTRUCTIONS FOR INSTALLATION AND USE OF ZINO 700,900,1100





WARNING : THE SUPLIER TAKES NO RESPONSIBILITY FOR ANY POSSIBLE DAMAGE, POOR WORKING APPLIANCES AND ACCIDENT AS A RESULT OF INCORRECT INSTALLATION.

1.GENERAL.....	3
1.1. TRANSPORT AND INSTALLATION.....	3
1.2. FUEL	3
1.2.1 Recommended fuel: Wood - hard, soft - damp cca 16%	
1.2.2 Optimal operation.....	3
1.2.3 Forbidden fuel.....	
1.3 STARTING THE FIRE	3
2. INSTALLATION.....	4
2.1 ACTIONS TO BE TAKEN UPON INSTALLATION ...	4
2.2 LIST OF STANDARDS TO BE OBSERVED DURING ASSEMBLY AND OPERATIONS	4
2.3 SAFE DISTANCE FIREPLACE STOVES TYPE „Zino“ FROM FLAMMABLE MATERIALS, LOCATION FIREPLACE STOVES AND SMOKE EXTRACT	5
2.4 LOCATION the FIREPLACE FURNACE type series „zino“ on the floor	6
2.4.1 REQUIREMENTS FOR PASSING COMBUSTION AIS	6
3. SECURITY CONDITIONS.....	7
4. SUPPLIED ACCESSORIES	7
5. MAINTENANCE	8
5.1 Method of removal and installation of the deflector plates and pass	9
6. SPECIFICATIONS.....	10
6.1 Spare parts.....	11
6.2 Drawing	12
7. Guarantee.....	13
8. Gurantee conditions.....	13

1 GENERAL

1.1 TRANSPORT AND INSTALLATION

- The ZINO is transported in a horizontal position.
- For facilitate transport you can use a set of solid rubber straps/belts.

Before the installation of ZINO it is necessary to check that the door mechanism functions properly and that the interior lining of the stove thermal linings are remaining in their correct positions. (see Pic.11 pp.9)

1.2 FUEL

1.2.1 Recommended fuel: Wood - hard, - dampness approx 16%

The quality of the wood is extremely important for the optimal functioning of the stove /output, clear glass, etc.../. The idea is to use dried hard wood with moisture content 12% to 18%. Damp wood gives off less heat, clogs the chimney and the glass of the stove's door. You can also use compressed wood briquettes and it is the best to use them in combination with wood also you can use Peat. Damage as a result of excessive temperature or over firing is not covered under the guarantee; two halves of woods of the 2kg weight are equal 5-7kW.

1.2.2 Optimal operation

Optimal use of fuel and optimal operation of the stove reach loading approx 1,5kg of wood lying on the floor of the fire chamber, laid side to side of the combustion chamber. The draught of chimney should be a minimum of 12 Pa and the regulator set for maximum air supply.

1.2.3 Forbidden fuel

The use of treated wood /painted, etc. / and all types of household waste, which can disperse hazardous gases, is FORBIDDEN and CANCELS OUT ANY CLAIM ON THE GUARANTEE. The use of fluid fuel /petrol, etc. / is also forbidden.

1.3 STARTING THE FIRE

- Set regulation at maximum (see Pic.1)
- Put a bed of tinder (paper or firelighters) with a little kindling (small twigs or pieces of wood) in the stove and light the tinder.



NOTE: When a fire is made for the first time, the paint will harden and that give off smoke and a smell, which starts after the fire has burned for about 10 minutes and lasts for about 15 minutes. See to it that there is ample ventilation in the room. The combustion chamber should be kept closed except for fuelling to prevent entry of gases into the room.



Pic.1



CAUTION:

It is not necessary to overload the fireplace with wood. 1kg dried wood gives a 4kW power. Example: a fireplace with 80% return gives a power for about 3,2kW for 1kg dry wood. If you want a power about 6-7kW, it is just enough to put 2kg wood in the fireplace. This is like two normal pieces of wood. We are not responsible for the bad use of fireplace and any consequence for not following this guideline. External surfaces of the stove are very hot during operation, which has to be paid due attention to avoid an accident or burns.



Pic.2 Opening door



Pic.3 Opening handle

2 INSTALLATION

2.1 ACTIONS TO BE TAKEN UPON INSTALLATION

For your own safety and satisfaction, we advise you to entrust a specialist with the installation. **The appliance has to be installed according to certain prescribes rules and local regulations.** The device must be built in an area with an adequate strength/capacity on the floor boards, which can spread the weight of the stove. The stove must be positioned so as to maintain the safety distances from any flammable materials. However, if you decide to carry out the work on your own, we advise you to do the following:

- Refer to the terms and conditions of our contract of guarantee.
- Ask your supplier for advice.

2.2 LIST OF STANDARDS TO BE OBSERVED DURING ASSEMBLY AND OPERATIONS

The fireplace type „ZINO“complies with STN EN 13229. For installation and operation of the fireplace type „ZINO“should proceed in accordance with STN 92 0300 „Local fire safety appliances and heat sources“ and STN 73 4201 „The design of chimneys and flues“.

2.3 SAFE DISTANCE FIREPLACE STOVES TYPE „Zino“ FROM FLAMMABLE MATERIALS, LOCATION FIREPLACE STOVES AND SMOKE EXTRACTION

Appliance type series „ZINO“ must be installed in accordance with Decree MV SR No. 95/2004 statute, coll establishing specifications and requirements for fire safety during installations and operation of heating appliances, electro thermal appliances and central heating installations and the constructions and use of chimneys and flues. It is also necessary to respect the STN 73 4210 „Running of the chimneys and flues and connecting fuel appliances. “ The manufacturer recommends the installation of the fireplace appliance type series „ZINO“ conducted by a Qualified Professional who is responsible for the materials used for installation, and can issue Certification for Local Building Control and HETAS Registration. The manufacturer is only responsible for the delivered product.



Caution: The Installer has to approve the fireplace before the initial operation and issue a certificate about the safe utilisation and the correct flue gas evacuation (HETAS Certification)

In the band of radiation ensure that no flammable parts or furniture are allowed up to a distance of 100cm. due to the radiation of heat from the front of the stove.

The fireplace type series „ZINO“ must be installed so that before it left space on the layout, about 1 x 1 m.

The base under appliance type series „ZINO“ must be placed on a non combustible material that will withstand heat stress. Also, all wall and ceiling materials, which the Appliance type series „ZINO“ may be near must be non combustible materials, respect should also be used for good thermal insulation.

Combustion pipe must be fitted to the fireplace chimney's mouthpiece Appliance type series „ZINO“ so that it is firmly and tightly connected.

Combustion pipe can join at the top (see Pic.4) or from behind (see Pic.5). The average of the flue is 150 mm.



Pic. 4



Pic. 5



WARNING! When connecting chimney from behind so you have to remove the cap on the chimney shell and the stopper (see arrow Pic.5) and then the stopper fitted to the top slot, which will remain free to disassembling the chimney.

The combustion pipe might be of black respectively stainless steel pipes and elbows. The flue connection must be made by the shortest route to the flue by STN 73 4210. The combustion pipe should be implemented and consolidate in order it cannot be released accidentally or spontaneously. All fluing should comply with the requirements laid down in Building Regulations Section J. Connection of the combustion pipe of the Appliance type series „ZINO“ can only be to the chimney, which has been expertly tested. Based on expert examination of the appliance flue connection and issue a professionally qualified person „Certificated examination on implementation of the chimney, where a professionally qualified person to report state of the chimney and flue for their safe and reliable operation.

2.4 LOCATION THE FIREPLACE FURNACE TYPE SERIES „ZINO“ ON THE FLOOR

In front of the door, inflammable floors need to be protected by placing the stove on a non combustible material(Stone Glass, Marble, Ceramic Tiles Etc). The hearth needs to project at least 30cm in front of the door and 30 cm at the sides and back if against a dry lined wall, however if the walls are constructed of non combustible material ie Brick or stone then a minimum distance of 5cm should be allowed.

2.4.1 REQUIREMENTS FOR PASSING COMBUSTION AIR

The fireplace furnace type series „ZINO“ can be placed directly in the heated respectively outside the heated space. Every form of combustion uses air. The combustion of fuel uses air from the area where is the fireplace type series „ZINO“. In case of insufficient ventilation of this area is necessary to ensure sufficient fresh air from outside the duct can be connected to the inlet throat of air. (see Pic.6)



Pic. 6

3. SECURITY CONDITIONS

In operating the fireplace furnace type series “ZINO” should observe the following precautions:

- The fireplace furnace type series “ZINO” must only be operated by an adult.
- A minimum distance of 80cm clearance to each side and 30cm back of the appliance must be maintained to avoid flammable parts, furniture and materials.
- The Fireplace type series “ZINO” shall operate under conditions in which a fire or explosion.
- Comply with fire regulations of general application.
- When operating the fireplace furnace type series “ZINO” the body temperature of the stove rises which if touched would cause serious burning. It is therefore prohibited during the operation of the stove to touch the appliance.
- When operating the fireplace type stoves series “ZINO” the outer surface rises to a very high temperature in which could cause burns. It is therefore necessary drivers to use the controls with protective gloves and the auxiliary tools that are included with the fireplace furnace type series “ZINO” are used.
- Fire in the fireplace furnace type series “ZINO” must never be extinguish with water.
- The space where it is located fireplace type series “ZINO” must be ensured there is an adequate supply of air for combustion of the fuel.
- Loading doors must be kept closed when running the stove furnace type series “ZINO” always keep closed when burning except when refuelling.
- They are allowed no interference with the fireplace furnace type series “ZINO” that could endanger the safe operation.
- The ignition of fuel in the aggregate is not permitted to use flammable liquids.
- In the event of any problems with the operation of the fireplace furnace type series “ZINO” you must call the supplier or manufacturer.
- In carrying out the ash pan from the fireplace furnace type series “ZINO” burnt fuel you must use gloves with sufficient protective property from excessive heat.

4. SUPPLIED ACCESSORIES

- Door opener 1pc (see Pic.3)
- Top cap 1pc (see Pic.7)
- Operating instructions, guarantee and certificate of quality and completeness of the product



Pic.7

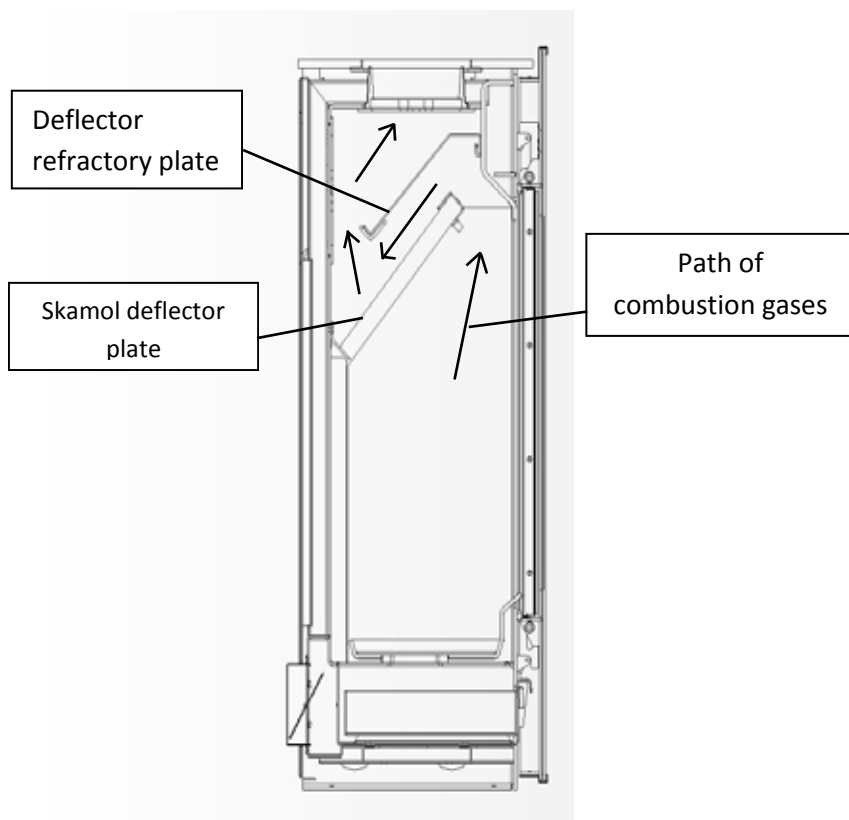
The correct and safe operation of the fireplace furnace type series „ZINO“it is imperative to observe the operating instructions and installation!!!

5. MAINTENANCE

The customer must regularly clean ashes from an ashtray on a grid /after two full-time heating/ and check whether there is excessive fouling the ash chamber/see (Pic.8)

One to two times per heating season /by intensity of use and according to characteristics of the fuel/ need to check and clean the flue gas path of ash and shoot. Choose to be two deflector plates. Deflector plate 1: skamol with the stainless holder and deflector refractory plate 2. (see Pic.11)

After the cleaning the flue tract and insertion of parts back to its position, check the parts are properly stored and secured in position so that it could not be a spontaneous change in position of these parts. (see Pic.11)



Pic.11



Pic.8

5.1 Method of removal and installation of the deflector plates and pass

The dismantling of the deflector plate 1:

- Lift plate up / approx 3cm / and remove the stainless steel beam to each slide and push to one side and a diagonal slide it out of the fireplace.
- Pull the plate to pull himself / approx 4 cm / etc diagonal sway and slide it out of the fireplace.

The dismantling of the pass refractory plate 2:

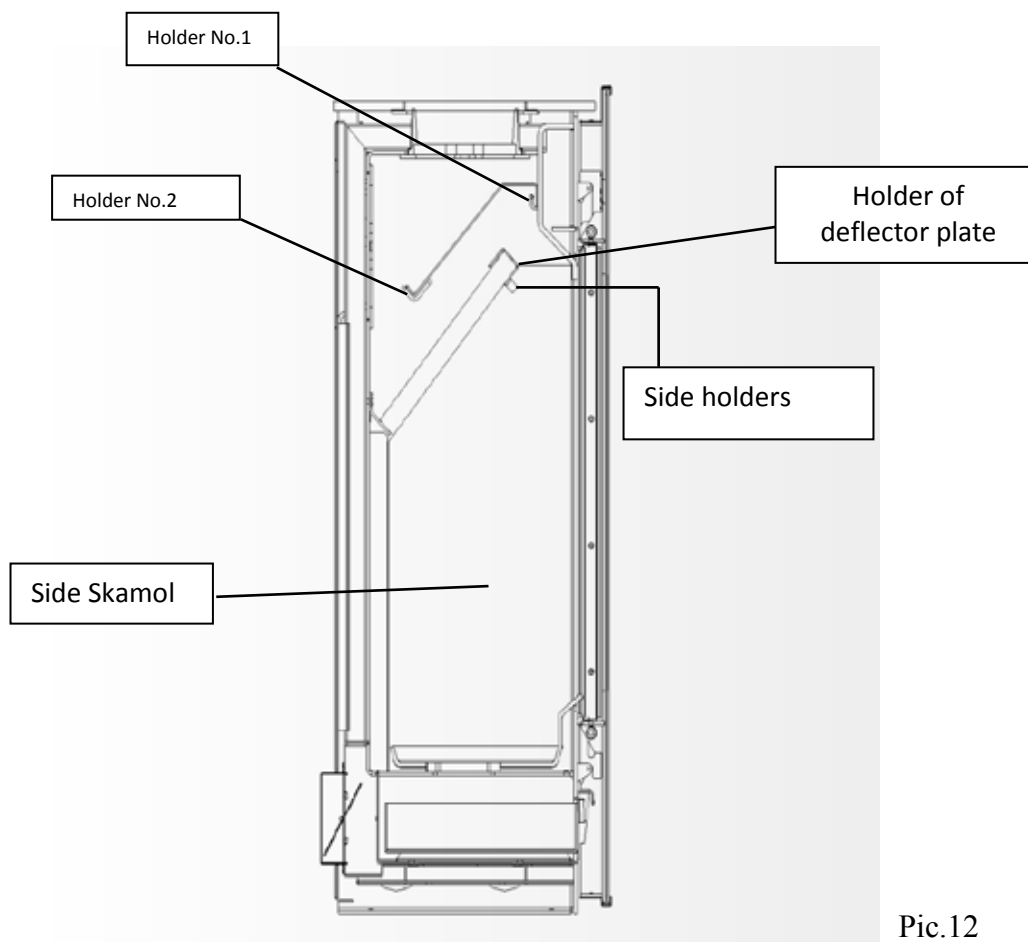
- Push the plate upwards until it stops at the flue outlet / slide of the plate holders No.1 and No.2 see Pic.12 / clone one side and downward on a diagonal and sliding the plate in the chamber and then out.

The installation of the pass refractory plate 2:

- Slide-plate on a diagonal into the combustion chamber and to push all the way to the top flue outlet and insert holders for No.1 and No.2 (see Pic.12)

The installation of the deflector plate 1:

- Slide plate on a diagonal to the fireplace stoves and push up and place it on the side facing the combustion chamber, slide all the way back of the fireplace furnace.
- Stainless steel beam under a diagonal slide into fireplace oven and place it on lateral lines and then insert the front edge of the plate / make sure that the side holders are well fitted (see Pic.12 position 1)



6. SPECIFICATIONS

Identification of the type of fireplace furnace type „ZINO“ is as follows:

Manufacturer: M-DESIGN BENELUX BVBA

Type : „ZINO.....“ ,

Usable power range: 3-8kW

Standard: STN EN 13240

„Keep operating instructions”

“The unit can be connected to a common chimney“

“Use only recommended fuels”

The appliance is designed for: Short-term operation

Serial number (see Pic.10)

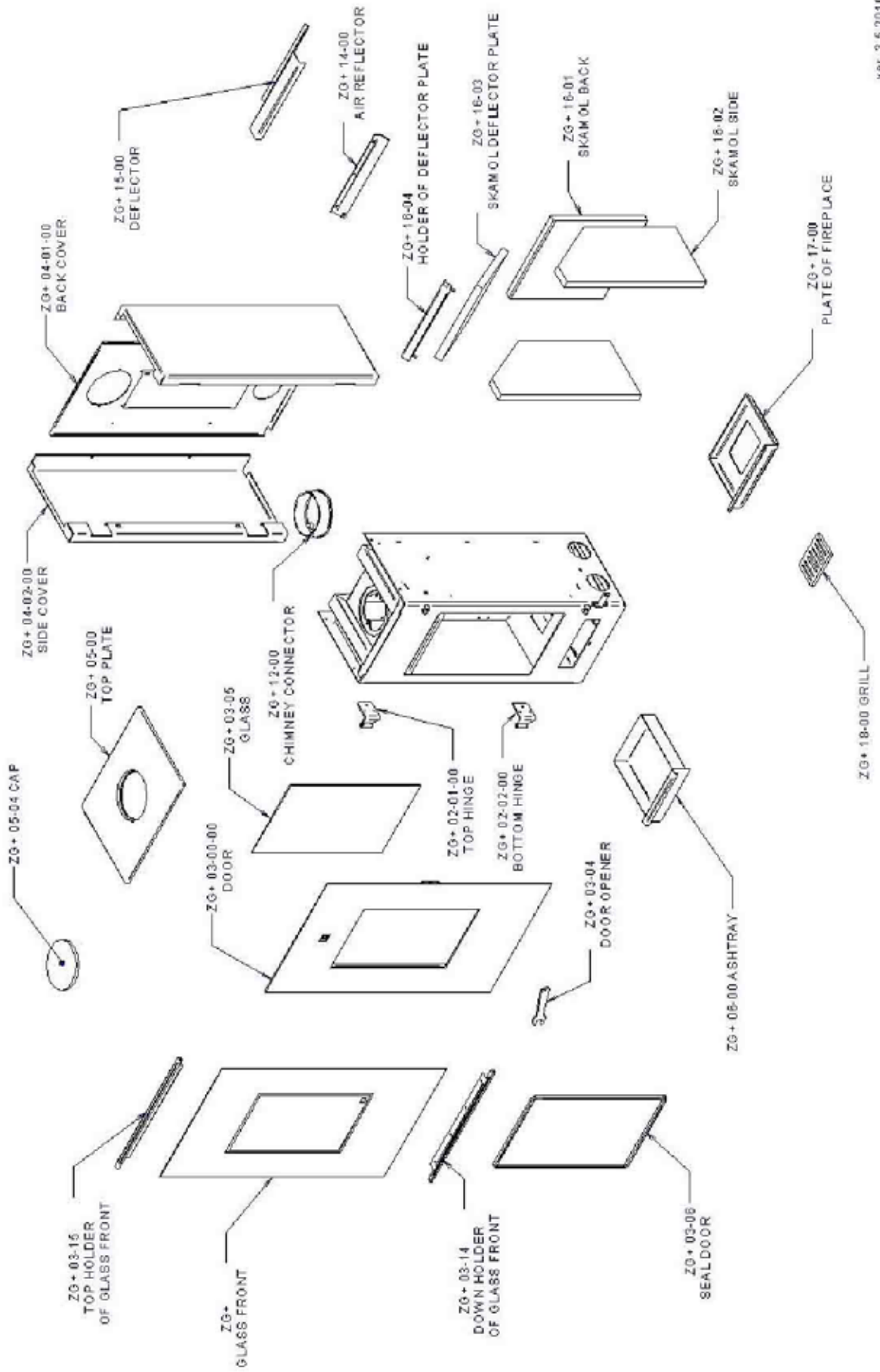


Pic. 10

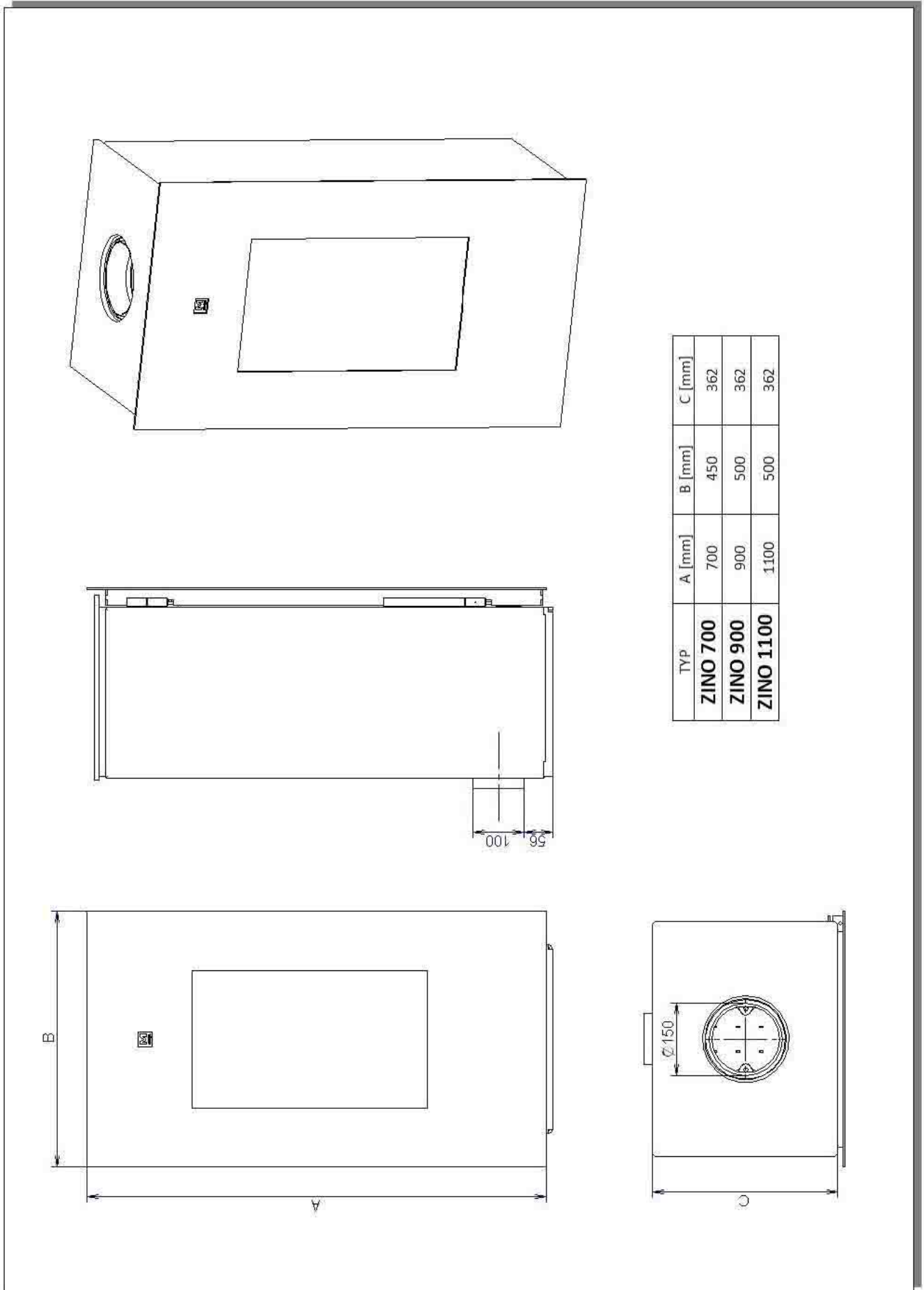
TYPE	ZINO 700	ZINO 900	ZINO 1100
Rated thermal power (kW)	3,5	5	7
Average efficiency (%)	82	81,5	80,5
Heat flow into the space (kW)	4	4,6	5
Power range (kW)	3-6	3-7	3-8
Flue gas temperature at rated output (°c)	163	158	152
Avg CO concentration at 13% O2 (%)	0,105	0,11	0,118
The average volume concentration of CO at 13% O2 (mg/m³)	1311	1378	1475
Minimum blast (Pa)	12	12	12
The weight of the fireplace furnace (kg)	100	110	120
Minimum distance from flammable materials from the flanks and rear (mm)	200	200	200
Minimum distance from flammable materials from the front (mm)	1000	1000	1000
Fuel delivery interval (h)	1	1	1
Recommended fuel - dry wood	hardwood like beech, oak, spruce	hardwood like beech, oak, spruce	hardwood like beech, oak, spruce

6.1 Spare parts

SPARE PARTS - ZINO



6.2 Drawing



7. GUARANTEE

TERMS AND ITEMS COVERED

7 years` guarantee on the general structure

2 years` guarantee on the parts, no guarantee on glass, seals and lining the combustion chamber (skamol plates)

8. GUARANTEE CONDITIONS

The claim must be submitted to the warranty, otherwise the claim is recognized.

1. The guarantee covers all defects in the fireplace furnace type series „ZINO“ and parts that are unusable due to poor quality material or faulty processing.
2. The guarantee does not apply to defects resulting non-compliance with the conditions specified in the instructions for installation, operation and maintenance or that the unit is used other than in the manner and for any purpose other than for which it is intended under normal conditions, poor or improper handling, e.g. Improper storage, improper handling, improper use of fuel.
3. The guarantee does not apply to defects caused by impurities in the fuel combustion gas inappropriate, improper placement and the inevitable damage caused by the event (natural disaster, etc...)
4. The guarantee also does not apply to damages caused indirectly, and damage or personal injury cases
5. The claims for non-compliance security guarantees expire, the expiry of the guarantee period, repair or modification of the fireplace furnace type series „ZINO“ unauthorized person.
6. The costs associated with sending a service worker to put the fireplace furnace type series „ZINO“ not covered by the guarantee shall be borne by the customer – a user.
7. The liability for defects – a claim the user applies to the production company.
8. Other rights and obligations arising from liability for product defects shall be governed by the provisions of generally binding legal regulations applicable in the Slovak Republic (Civil Code, Commercial Code, etc.).

Your serial number

.....

Date of sale

.....



Contact: M-DESIGN BENELUX BVBA
Torhoutsesteenweg 222a
8210 Zedelgem / Belgium
<http://www.m-design.be>
info@m-design.be