

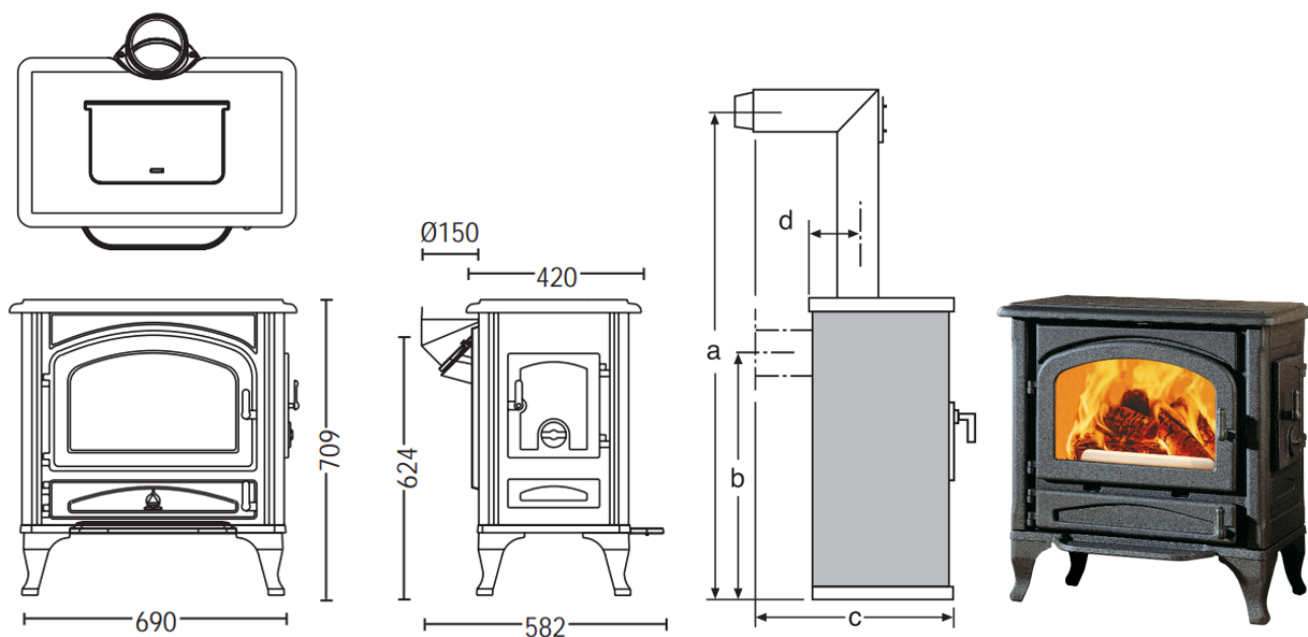
WIEN



AUSTROFLAMM



[www.austroflamm.com](http://www.austroflamm.com)



## DIMENSIONS AND WEIGHTS

Steel casing (STM) h x w x d [mm]	709 x 690 x 582
Ceramic casing (KMG) h x w x d [mm]	-
Soapstone casing (SPM) h x w x d [mm]	-
Firebox h x w x d [mm]	315 x 510 x 250
Weight STM [kg]	160
Flue pipe outlet [mm]	150
Flue pipe connection, middle [mm]	624
Dimensions a, b, c, d [mm]	1277 / 667 / 870 / -33
Safety distances to combustible materials front / side / rear [mm]	120 / 55 left - 65 right/ 50

## OUTPUT

Nominal heat efficiency as per EN 13240 [kW]	6
Heat output min. / max. [kW]	4 / 9
Room heating capacity (depending on the building insulation) [m³]	65 - 165
Energy efficiency class	A

## FITTINGS

XTRA heat storage technology	-
Heat Memory System (HMS)	-
Ash pan	o
external air connection / balanced flue operation	-

## DATA FOR THE CHIMNEY SWEEP

Total flue gas flow, closed [g/s]	6.1
Flue gas temperature, closed [°C]	314
Minimum feed pressure at nominal heat efficiency, closed [Pa]	11
at 0.8 times nominal heat efficiency [Pa]	9