

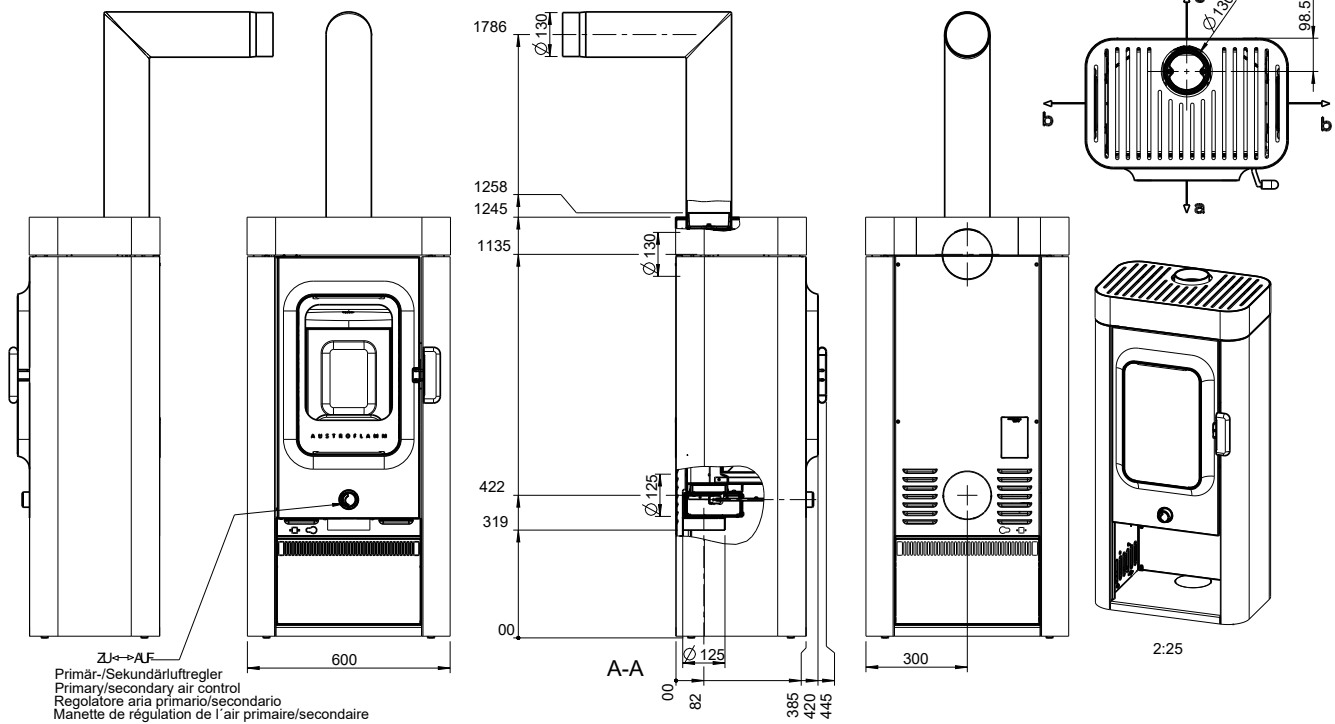
SINA



AUSTROFLAMM



www.austroflamm.com



DIMENSIONS AND WEIGHTS	Basic appliance	with HMS
Height [mm]	1245	
Width [mm]	600	
Depth [mm]	445	
Firebox (h x w x d)[mm]	371 / 396 / 267.4	
Weight STM [kg]	137	205
Flue pipe outlet Ø [mm]	130	
Flue pipe outlet, middle [mm]	1135	
OUTPUT		
Nominal heat output as per EN 13240 [kW]	6.0	
Heat output min. / max. [kW]	3.5 / 8.0	
Room heating capacity (depending on the building insulation) [m ³]	65-165	
Energy efficiency category	A+	
FITTINGS		
HMS heat storage technology	Z	
Type A1	o	
Ash drawer / ash box	o	
External air connection / balanced flue operation	rear or bottom	
DATA FOR THE CHIMNEY SWEEP		
Flue gas mass flow closed [g/s]	4.4	
Flue gas temperature closed [°C]	271	
Minimum delivery pressure at nominal heat output closed [Pa]	12	
at 0.8 times nominal heat output [Pa]	10	
Safety distances a, b, c [mm]	1000 / 250 / 150	