

HYBRID FIRE

MatriX | 800/500 II

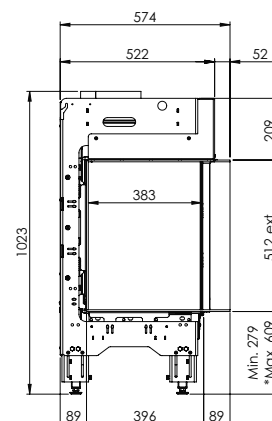
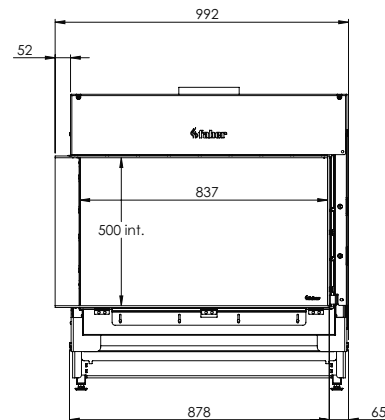
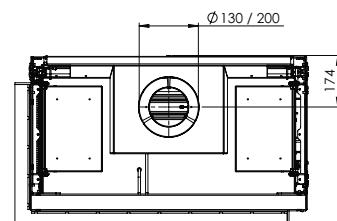


DECORATION OPTIONS



Heating functionality
Nee

Flue material
130/200



* Incl. optional adjustable feet



Specifications

Exterior dimensions WxHxD in mm
992 x 1023 x 574

Fire display WxHxD in mm
837 x 500 x 383

System
Log Burner 3.0

Decoration
Log set

Back walls
Back wall smooth steel

Remote
Via app and ITC Remote

Power
10,1 kW

Operating system
Honeywell

Energy label
B

Options (at a surcharge)

- Inset depth 30 mm
- Inset depth 100 mm
- HPL Module
- Black glass back wal
- Non-reflective glass
- Adjustable feet
- Wall bracket