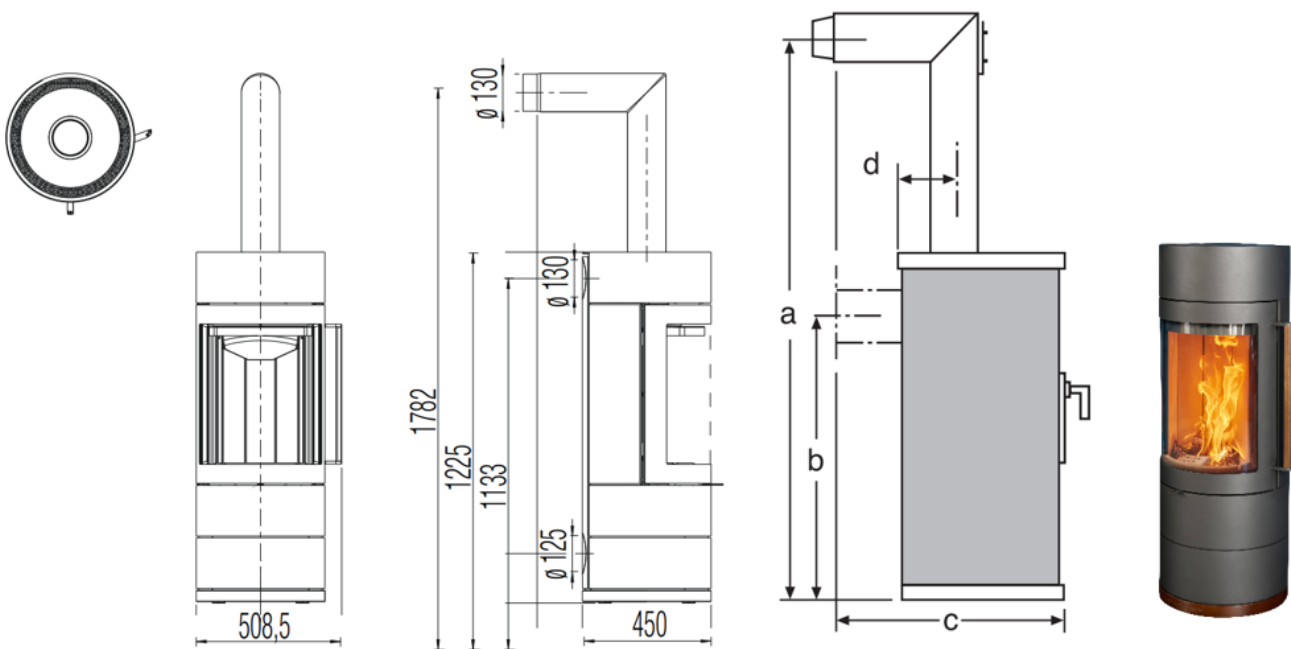


LUX



www.austroflamm.com



DIMENSIONS AND WEIGHTS

Steel casing (STM) h x w x d [mm]	1225 x 450 x 450
Ceramic casing (KMG) h x w x d [mm]	-
Soapstone casing (SPM) h x w x d [mm]	-
Firebox h x w x d [mm]	525 x 291 x 291
Weight STM [kg]	133
Weight HSM [kg]	38
Flue pipe outlet [mm]	130
Flue pipe connection, middle [mm]	1133
Dimensions a, b, c, d [mm]	1782 / 1133 / 608 / 225
Safety distances to combustible materials front / side / rear [mm]	1000 / 590 / 100

HEAT OUTPUT

Nominal heat output under EN 13240 [kW]	7
Min. / max. heat output [kW]	3.5 / 9
Space heating capacity (depending on the building insulation)[m ³]	82 - 210
Energy efficiency category	A+

FITTINGS

XTRA heat storage technology	-
Heat Memory System (HMS)	Z
Ash box	o
external air connection / balanced flue operation	rear or bottom

DATA FOR THE CHIMNEY SWEEP

Total flue gas flow, closed [g/s]	6.1
Flue gas temperature, closed [°C]	273
Minimum feed pressure at nominal heat efficiency, closed [Pa]	12
at 0.8 times nominal heat efficiency [Pa]	10