

45X57-K-2.0



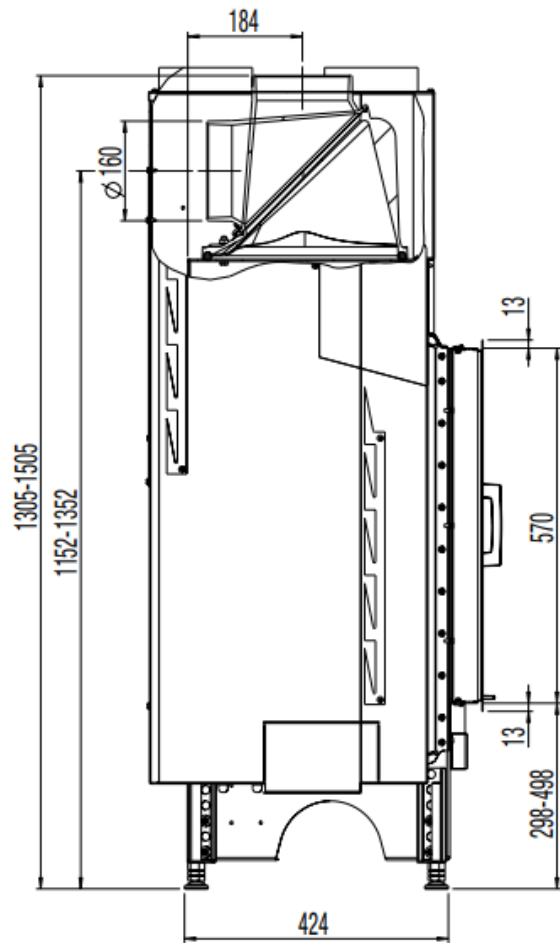
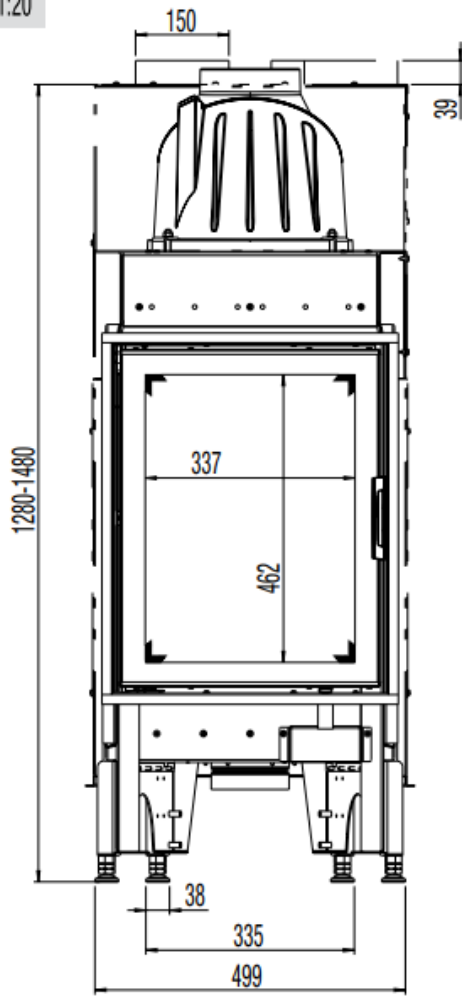
www.austroflamm.com

45X57-K-2.0

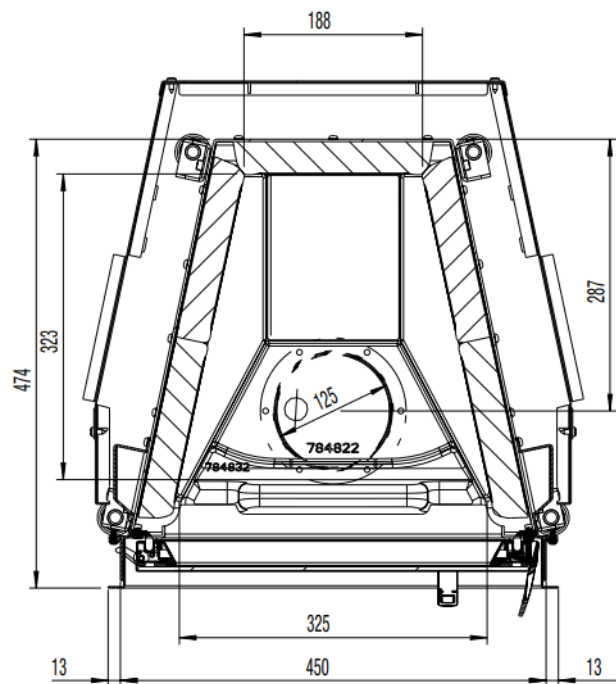
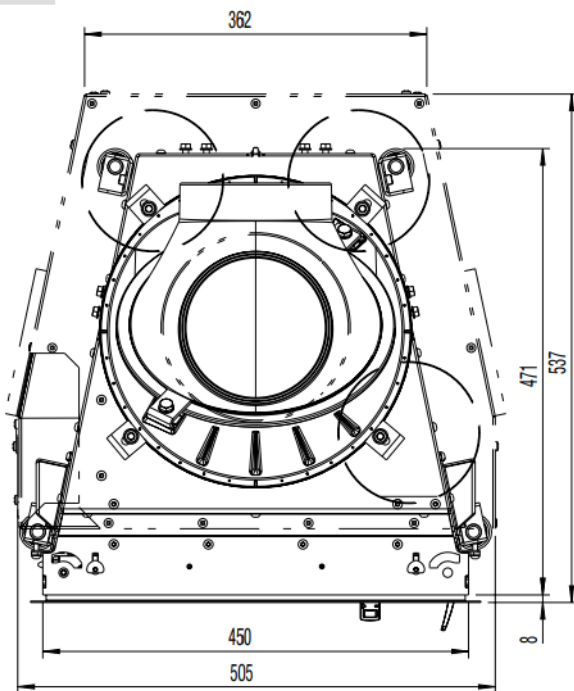


AUSTROFLAMM

Maßstab 1:20



Maßstab 1:10



o standard

Z Accessories

- not available

DIMENSIONS AND WEIGHTS

Height [mm]	1305-1505
Width [mm]	505
Depth [mm]	471
Weight [kg]	100
Width (body installation dimension) [mm]	450
Door frame, height [mm]	570
Flue pipe outlet, diameter [mm]	160
Insulation layer thicknesses to the installation floor [mm] (Promasil 950 KS)	60
Insulation layer thicknesses lateral / rear [mm] (Promasil 950 KS)	90
Insulation layer thicknesses to the ceiling [mm] (Promasil 950 KS)	90
Ceramic flues - max. length [m]	3

HEAT OUTPUT

Nominal heat efficiency [kW] lt. EN test EN 13229	6
Heat output, minimum [kW] / Maximum heat output [kW]	3.5-8
Energy efficiency category	A+
Circulating air cross-section without / with metal secondary heating surface [cm ²]	700/1000

FEATURES

Hinged doors	yes
Double pane	x

DATA FOR THE CHIMNEY SWEEP

Total flue gas flow [g/s]	5.2
Flue gas temperature [°C]	371
Minimum feed pressure at nominal heat efficiency [Pa]	12