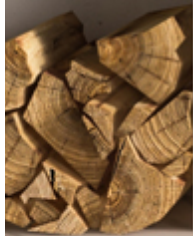


UK

ASHLETT INSERT ELECTRIC FIRE
INSTRUCTIONS & USER MANUAL



BRITISH
FIRES

// INSTALLATION & USER INSTRUCTIONS

| Section | Contents | Page |
|---------|--|---------|
| 1.0 | Important Notes | 02 |
| 2.0 | Installation Requirements | 03 |
| 3.0 | Appliance Data for Ashlett Insert | 04 |
| 4.0 | Component Checklist | 05 |
| 5.0 | Site Requirements | 05 |
| 6.0 | Clearance to Combustibles | 06 |
| 7.0 | Unpacking the Appliance | 06 |
| 8.0 | Preparing the Appliance | 07 |
| 8.1 | Preparing the One Sided Thick Frame | 08 |
| 8.2 | Preparing the Two Sided Thick Frame | 09 |
| 8.3 | Preparing the Three Sided Thick Frame | 10 |
| 8.4 | Preparing the Cavity Box | 11 |
| 9.0 | Installation Overview | 12 |
| 9.1 | Installation - Existing Chimney Breast | 13 |
| 9.2 | Installation - Stud Wall | 14 - 18 |
| 9.3 | Installation - Installing the Cavity Box | 19-20 |
| 9.4 | Installation - Floating | 21 - 23 |
| 10.0 | Forest View Fuel Bed Layout | 24 |
| 10.1 | Slate View Fuel Bed Layout | 25 |
| 10.2 | Diamond Light View Fuel Bed Layout | 26 |
| 10.3 | Installing the Real Deluxe Logs | 27 |
| 11.0 | Pairing the Remote Control | 28 |
| 12.0 | Operating the Appliance | 29-32 |
| 13.0 | Safety Cutout System | 33 |
| 14.0 | Cleaning and Maintenance | 33 |
| 15.0 | Troubleshooting Guide | 34 |
| 16.0 | Spare Parts | 35 |
| 17.0 | Servicing | 35 |
| 18.0 | Ashlett Dimensions | 36 |
| 19.0 | Three Years Guarantee Terms & Conditions | 37 |

// 1.0 IMPORTANT NOTES

IMPORTANT – THESE INSTRUCTIONS SHOULD BE READ CAREFULLY AND RETAINED FOR FUTURE REFERENCE.

When using this electrical appliance, basic precautions should be followed to reduce the risk of fire, electric shock and injury to person, including the following:

This heater must be used on an AC supply only and the voltage marked on the heater's rating label must correspond to the supply voltage.

DO NOT switch the appliance on until it is properly installed as described in this manual.

This appliance can be used by children aged from 8 years and above and persons with reduced physical, sensory or mental capabilities or lack of experience and knowledge if they have been given supervision or instruction concerning use of the appliance in a safe way and understand the hazards involved. Children shall not play with the appliance. Cleaning and user maintenance shall not be made by children without supervision.

Children of less than three years should be kept away unless continuously supervised. Children aged from three years and less than eight years shall only switch on/off the appliance provided that it has been placed or installed in its intended normal operating position and they have been given supervision or instruction concerning use of the appliance in a safe way and understand the hazards involved.

Children aged from three years and less than eight years shall not plug in, regulate and clean the appliance or perform user maintenance.

CAUTION: Some parts of this product can become very hot and cause burns. Particular attention has to be given where children and vulnerable people are present.


If the supply cord is damaged, it must be replaced by the manufacturer, its service agent or similarly qualified persons in order to avoid a hazard.

The heater must not be located immediately below a socket-outlet.

DO NOT use this heater in the immediate surroundings of a bath, a shower or a swimming pool.

WARNING: This heater is not equipped with a device to control the room temperature. Do not use this heater in small rooms when they are occupied by persons not capable of leaving the

room on their own, unless constant supervision is provided.

 **WARNING:** In order to avoid overheating, do not cover the heater.

DO NOT use this heater with a programmer, timer, separate remote-control system or any other device that switches the heater on automatically, since a fire risk exists if the heater is covered or positioned incorrectly.


CAUTION: In order to avoid a hazard due to inadvertent resetting of the thermal cutout, this appliance must not be supplied through an external switching device, such as a timer, or connected to a circuit that is regularly switched on and off by the utility.

Keep furniture, curtains and other fabric material away from the appliance.

DO NOT leave the appliance unattended during use.

From time to time, check the cord for damage. Never use the appliance if the cord or any part of the appliance shows signs of damage.

DO NOT run the mains cable under carpets, rugs etc.

 DO NOT cover or obstruct the heater in any way. Overheating will result if it is accidentally covered.

Never immerse the product in water or any other liquids.

DO NOT use the appliance outdoors.

Before cleaning the appliance, ensure it is unplugged from the power and that it is completely cool.

DO NOT clean the appliance with abrasive chemicals.

Never use accessories that are not recommended or supplied by the manufacturer. It could cause danger to the user or damage to the appliance.

DO NOT insert or allow foreign objects to enter the inlet or outlet vents as this may result in electric shock, fire or damage to the appliance.

DO NOT install the fire using an extension cord.

Unplug from the mains supply if the appliance is not to be used for long periods.

This product is only suitable for well insulated spaces or occasional use.

DO NOT use this appliance in an open flue.

// 2.0 INSTALLATION REQUIREMENTS

These appliances are supplied with a pre-wired two pin plug and 1.8 metres of electrical cable. It is therefore necessary for a suitable electrical socket to be located within this distance and be easily accessible. The appliances are suitable for installation in static holiday/park homes. The appliances may be hard wired into a fuse spur, providing that the fuse spur is external to the installation and easily accessible, this must be carried out by a service agent or competent person, such as a qualified electrician.

// ATTENTION:

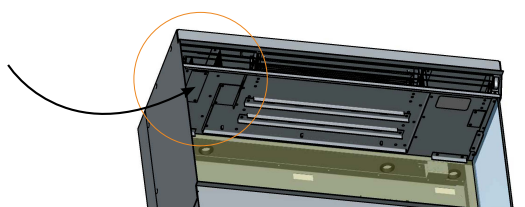
These instructions should be read carefully and retained for future reference.

// 3.0 APPLIANCE DATA FOR THE ASHLETT INSERT

| | |
|---------------------------------|-------------------------|
| Weight (kg) | 31kg |
| Dimensions | H 491 x W 652 x D 313mm |
| Supply Voltage and Rating Power | 220-240V ~ 50Hz |
| Heating Elements | 1260-1500 W |
| Lighting | LED |
| Location | Indoor use only |
| Power cable | 1.8 metres long |

| Item | Symbol | Value | Unit | Item | Unit | Item | Unit |
|--|---------------------|-------|------|--|------|---|------|
| Heat Output | | | | Types of heat input, for electric storage local space heaters only | | Other control options | |
| Nominal heat output | P _{nom} | 1.5 | KW | Manual heat charge control with integrated thermostat | N/A | Room temperature control with presence detection | No |
| Minimum heat output (indicative) | P _{min} | 0.75 | KW | Manual heat charge control with room and/or outdoor temperature feedback | N/A | Room temperature control with open window detection | Yes |
| Maximum continuous heat output | P _{max, c} | 1.5 | KW | Electronic heat charge control with room and/or outdoor temperature feedback | N/A | With distance control option | No |
| Auxiliary electricity consumption | | | | Type of heat output/room temperature control | | With adaptive start control | |
| At nominal heat output | e _{lmax} | 0.0 | KW | Single stage heat output and no room temperature control | No | With working time limitation | No |
| At minimum heat output | e _{lmin} | 0.0 | KW | Two or more manual stages no temperature control | No | With black bulb sensor | No |
| In standby mode | e _{lSB} | 0.45 | KW | With mechanical thermostat room temperature control | Yes | | |
| | | | | With electronic room temperature control | No | | |
| | | | | Electronic room temperature control plus day timer | Yes | | |
| | | | | Electronic room temperature control plus week timer | Yes | | |

This fire is fitted with LED's (Light Emitting Diode) in place of conventional bulbs. LED's generate the same light levels as conventional bulbs, but use a fraction of the energy consumed.



// 4.0 COMPONENT CHECKLIST

| Quantity | Description |
|----------|----------------------------------|
| 1 | Heater Unit |
| 1 | Wall bracket |
| 1 | Remote Control |
| 2 | AAA Batteries |
| 4 | L-Shaped Brackets |
| 2 | Blanking Plates |
| 4 | Small End Trims |
| 2 | Large End Trims |
| 22 | 4x8mm Firebox Screws |
| 2 | 4x12mm Firebox Screws |
| 8 | Wall Plugs |
| 8 | Fixing Screws |
| 2 | Suite Fixing Brackets |
| 1 | Deluxe Real Log Fuel Bed Set |
| 1 | Cavity box (Optional Extra) |
| 1 | Thick Frame Set (Optional Extra) |

// 5.0 SITE REQUIREMENTS

It should be noted that the appliance creates warm convected air currents. These currents move heat from the room surroundings to, and up the wall surfaces adjacent to the heater.

Installing the heater next to these types of wall coverings or operating the heater where impurities in the air, (such as tobacco smoke) exist, may slightly discolor wall finishing.

If the appliance is to be secure on a dry lined or timber framed construction then the integrity and ability of the wall to secure the appliance must be confirmed. It is important in these circumstances that any vapor barrier and/or structural members of the house frame are not damaged.

If you are unsure of the ability of the wall to secure the appliance and/or which type of wall fixing to use, you should take professional advice and obtain the correct fixings. Alternatively, find a more suitable wall location.

DO NOT run the supply cable under carpets.
DO NOT site in a position where curtains or drapes could cover the appliance, or other soft materials could cover e.g. below a coat rack.
DO NOT site behind an opening door where mechanical impact/damage could occur.
DO NOT site where the supply cable would become a trip hazard.
DO NOT sit, stand or forcefully pull on the appliance.



DO NOT obstruct, cover or force items into the openings.

DO NOT use the heater to dry clothes.

DO NOT site/use in an outdoor location(s).

It is important that the following clearances are maintained from the appliance to combustible materials. These clearances are dependent on the securing location as defined on the following pages.

// 6.0 CLEARANCES TO COMBUSTIBLES // 7.0 UNPACKING THE APPLIANCE

The minimum distance to the front of the appliance is 900mm.

There are no clearances for above the appliance, apart from being clear of curtains and drapes.



BEFORE STARTING THE INSTALLATION OF THIS FIREPLACE, PLEASE READ THE FOLLOWING:

- 1) The installation should be carried out by two adults to avoid injury or damage. If for any reason it is considered too heavy, please obtain assistance.
- 2) When lifting the electric appliance, always keep your back straight. Bend your legs and not your back. Avoid twisting at the waist. It is better to reposition your feet.
- 3) Avoid upper body / top heavy bending. Always bend from the knees rather than the waist. Do not lean forward or sideways while handling the appliance.
- 4) Always grip the appliance with the palm of the hand – do not use the tips of fingers for support.
- 5) Always keep the appliance as close to the body as possible. This will minimize the cantilever action.
- 6) Use gloves to provide additional grip.
- 7) Unpack the package and lift the appliance gently out of the box. Put it on a flat surface with the front panel facing forward.

// CAUTION:

This appliance is heavy. Always seek assistance whilst unpacking and/or during installation. Please read all the instructions before continuing to unpack or install appliance.

// IMPORTANT:

Please read completely through the instructions and verify that all listed parts are present before assembly.

// 8.0 PREPARING THE APPLIANCE

ADDING BLANKING PLATES AND TRIMS; REMOVING FRONT GLASS

Front-Facing (One-sided)

A blanking plate will need to be installed at each end of the appliance, offer the blanking plate up to the side of the appliance and ensure that all of the holes in the blanking plate line up with the holes on the side of the firebox. Once in the correct position, screw the 7x firebox screws with a cross headed screw driver into position, use the same process for both sides.

Cornered (Two-sided)

Install only one of the blanking plates on the end that will be covered. Follow the front facing instructions, above, for the one blanking plate. For the exposed side the trims will need to be used. Place both small trims into position, lining the screw holes up, then when in the correct position screw into place with the screws provided using a cross headed screwdriver. Next, secure in place the large trim vertically on to the side of the appliance in between the two small trims. Line the screw holes up and secure the provided screws into place with a cross headed screwdriver.

Three Sided & Suite Installations

Place both small trims into position, lining the screw holes up then screw into place with the screws provided using a cross headed screwdriver. Once the small trims are installed the large trim will be vertically placed in between the two small trims, as pictured above. Use the same steps for both sides.

Removing the Front Glass

We strongly recommend that two people are used to remove the glass, both using protective gloves.

To remove the front glass from the appliance, use a cross headed screwdriver to remove the screws from either end of the top bracket of the appliance, holding the glass in place.

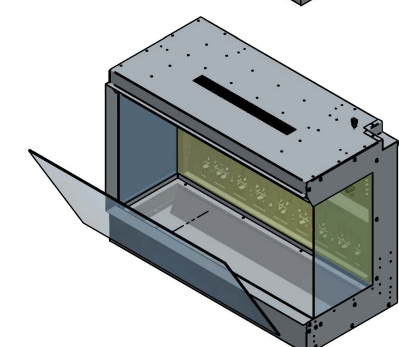
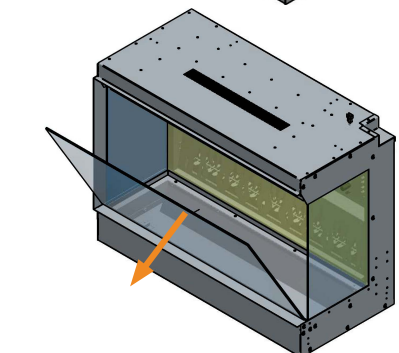
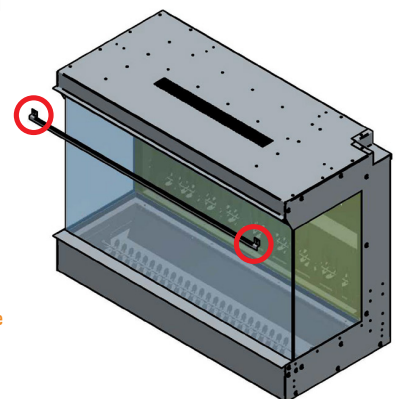
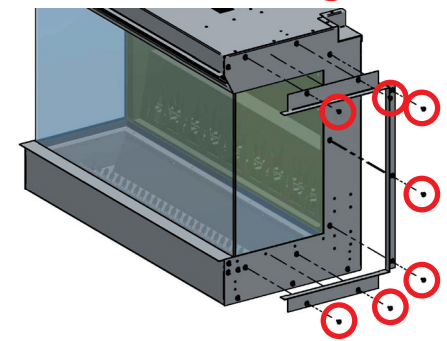
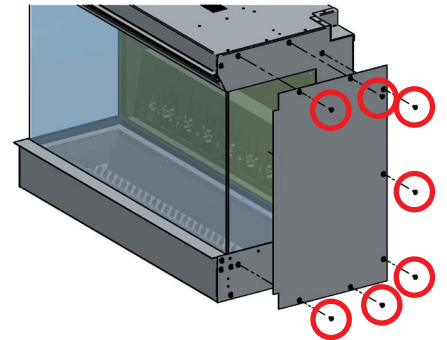
Ensure the glass is supported at all times.

Next, gently lever the top of the glass towards you, ensuring you have full support of the glass.

Lift the glass up and out from the appliance and place the glass on a soft, flat surface on the floor.

Insert your preferred fuel bed options as shown in the following pages in section 10.0, pages 24–27.

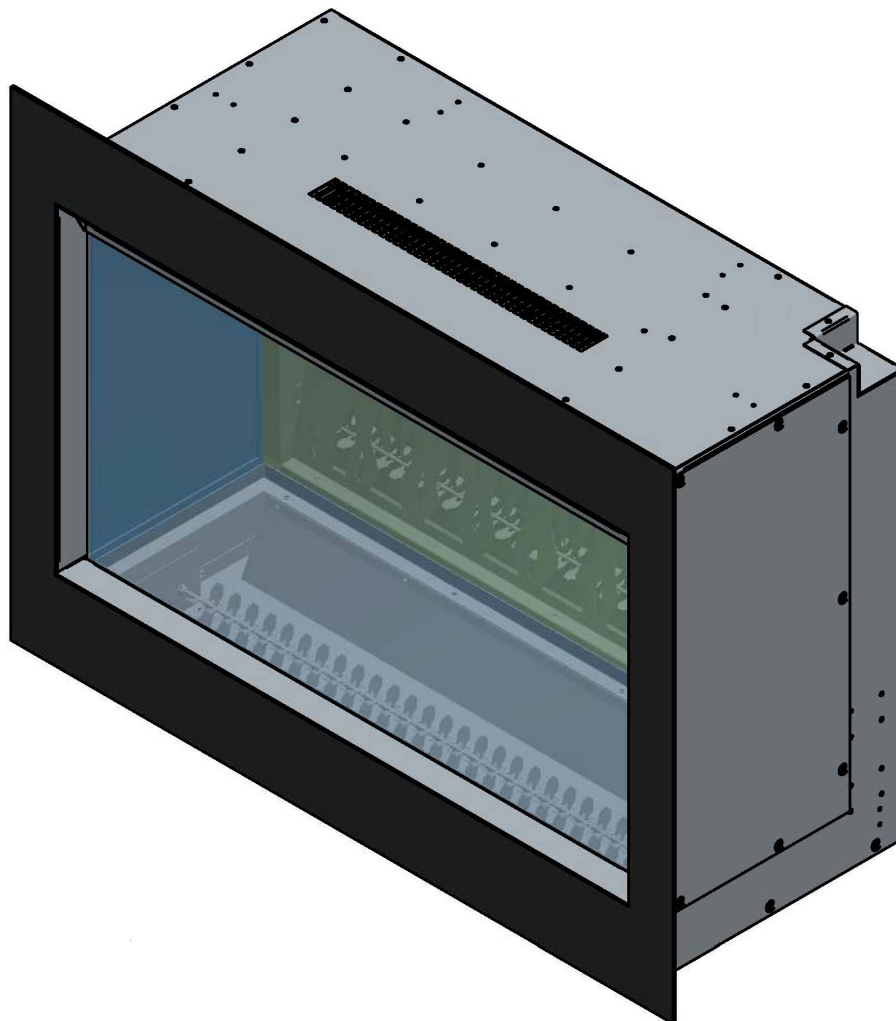
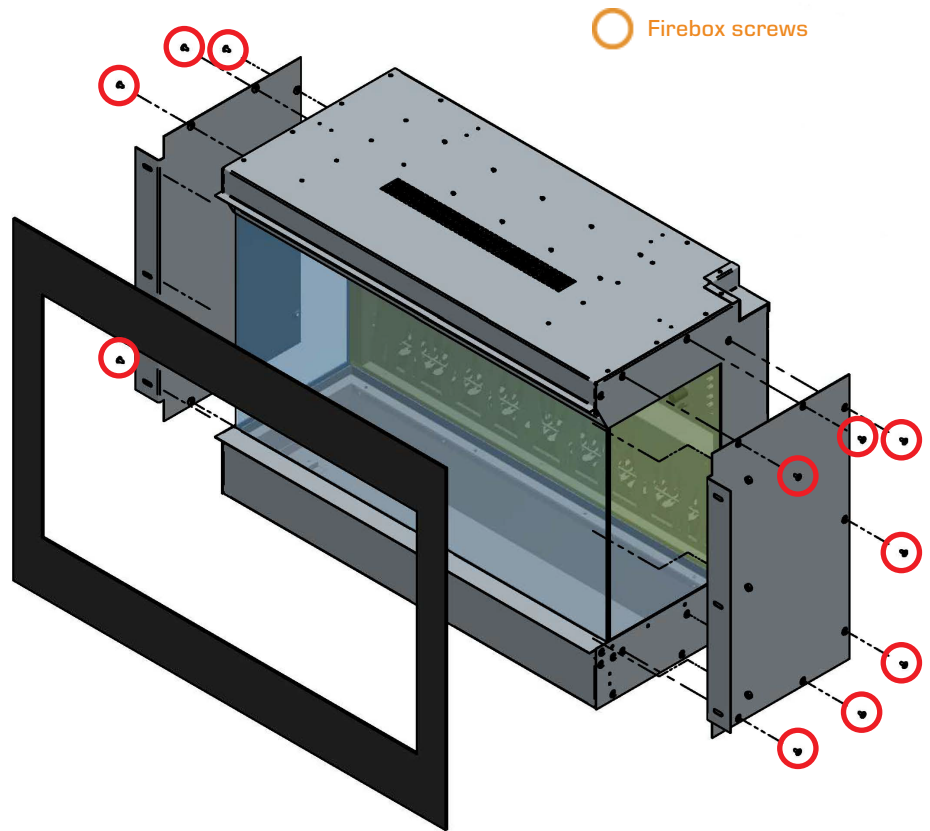
To re-install the glass, see the instructions in reverse order.



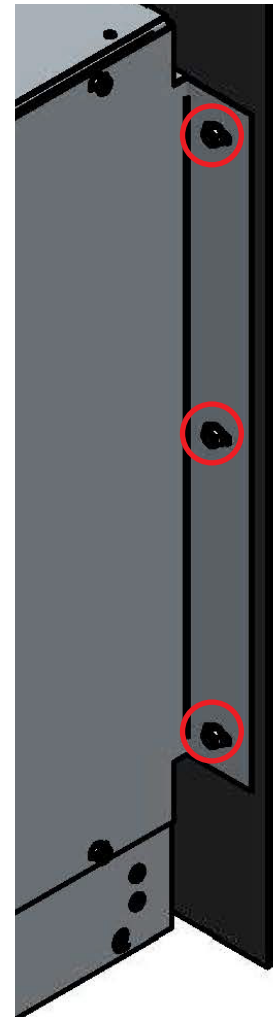
// 8.1 PEPARING THE ONE SIDED THICK FRAME

1) Firstly, locate the both blanking panels and the one-sided thick frame, line the holes in the end panels up with the holes in the side of the firebox, then using a cross headed screw driver, screw the firebox screws through the screw holes in the end panels into the firebox.

2) Then insert the studs on the rear of the thick frame through the slots in the returns of the end panels, centre, then tighten the washers and M5 nuts onto the studs, securing the thick frame into position with a 10mm spanner.



Rear view



// 8.2 PERPARING THE TWO SIDED THICK FRAME

1) Locate 1x blanking panel and all of the parts of the two-sided thick frame assembly, line the holes in the end panel up with the holes in the side of the firebox you wish be blanked off, then using a cross headed screw driver, screw the firebox screws through the screw holes in the end panel into the firebox.

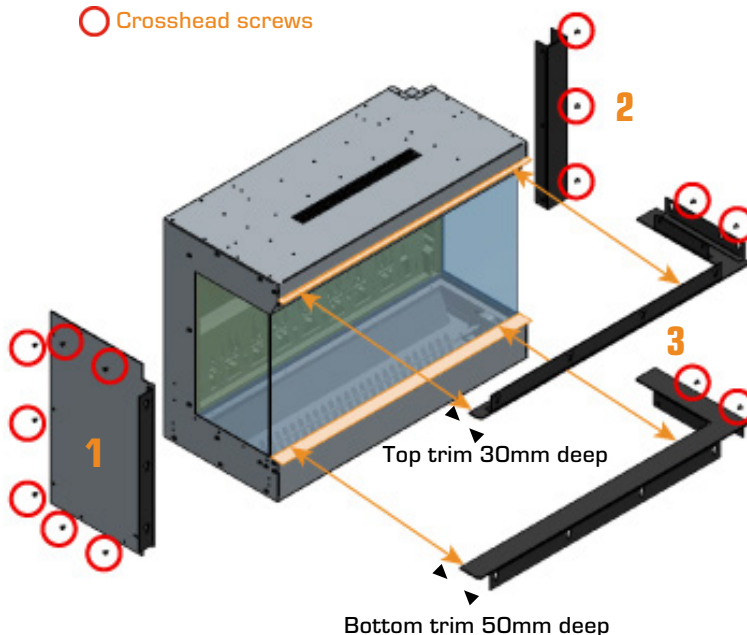
2) Line the side trim up vertically with the corresponding holes in the side of the firebox and fix into position with the firebox screws provided.

3) Line the top and bottom trims up, horizontally with the corresponding holes in the side of the firebox, resting on the top of the firebox returns (highlighted), then fix into position with the firebox screws provided.

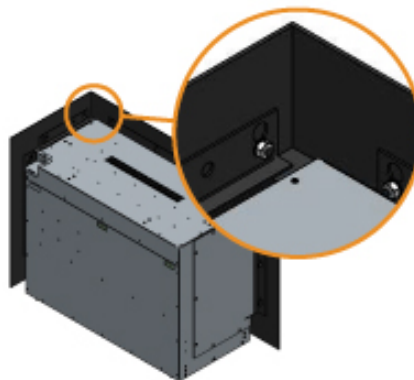
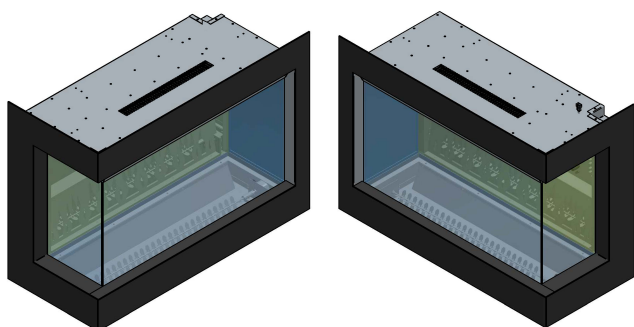
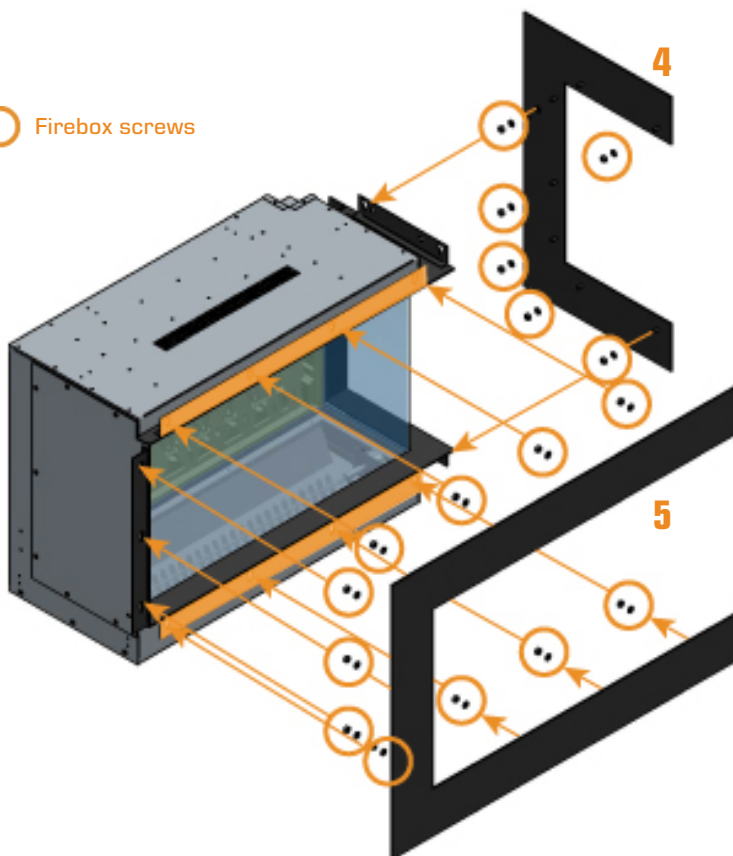
4) Insert the all of the studs on the rear, open ended side and the front thick trim, through the clearance holes in the ends of the side thick trim, secure both thick trims together with 4x M5 nuts.

5) Insert the 3x studs on the rear, closed end side of the front thick trim, through the slots in the return on the blanking panel. Insert the 2x studs in the open end into the clearance holes in the vertical side trim. Once all studs on both sides are in position and centred, install the M5 nuts, securing the thick trim into place.

○ Crosshead screws

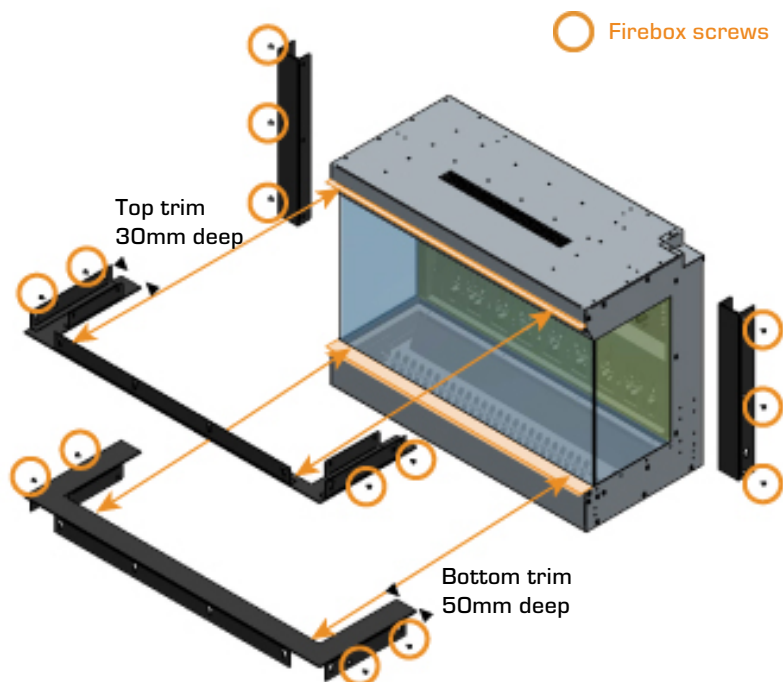


○ Firebox screws



// 8.3 PERPARING THE THREE SIDED THICK FRAME

1) Line the longer side trims up vertically with the corresponding holes in both sides of the firebox and fix into position with the firebox screws provided.

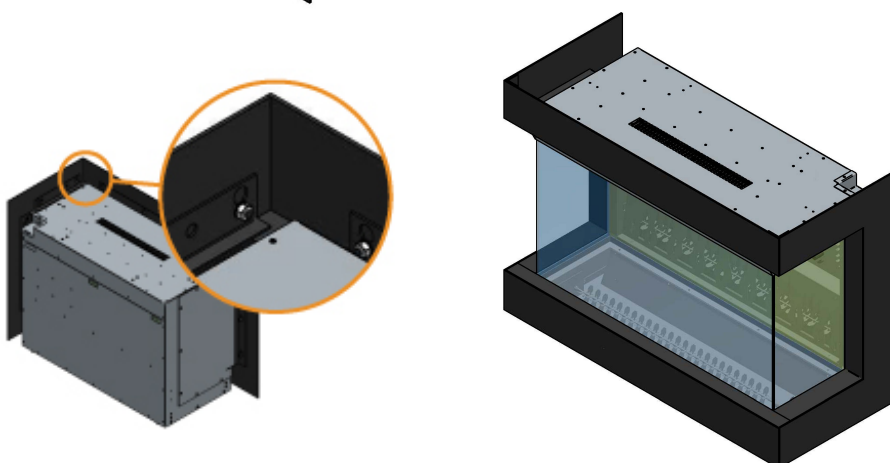
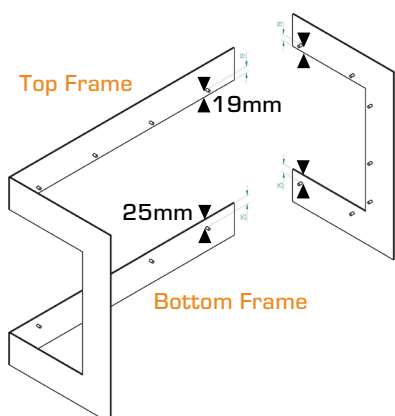
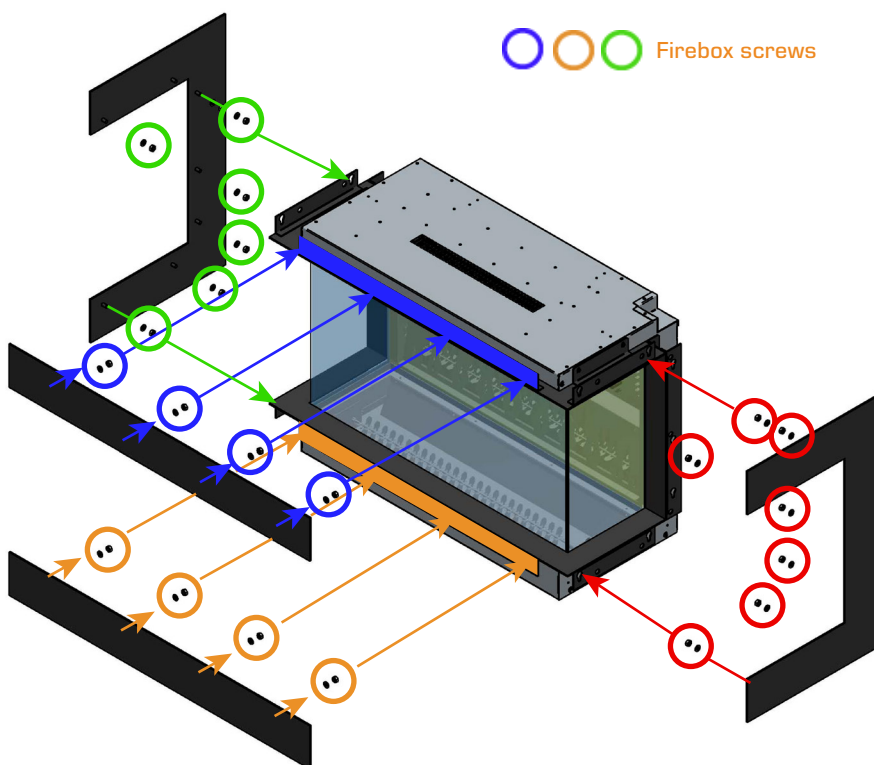


2) Line the shorter side trims up horizontally with the corresponding holes in both sides of the firebox and fix into position with the firebox screws provided.

3) Insert the 4x studs from the top, front panel into the holes in the side thick frames, once in place, secure the 3x parts together with 4x M5 nuts.

4) Insert the 4x studs from the top, bottom panel into the holes in the side thick frames, once in place, secure the sub assembly together with 4x M5 nuts.

5) Carefully insert the thick trim assembly around the firebox, inserting 4x rear facing stud into the holes in the vertical side brackets. Once in the correct, final position use 4x M5 nut to attached the thick trim to the appliance.



// 8.4 PERPARING THE CAVITY BOX (OPTIONAL EXTRA)

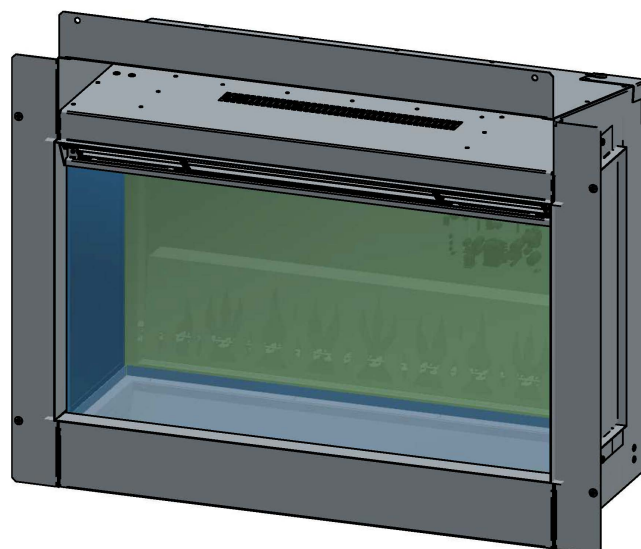
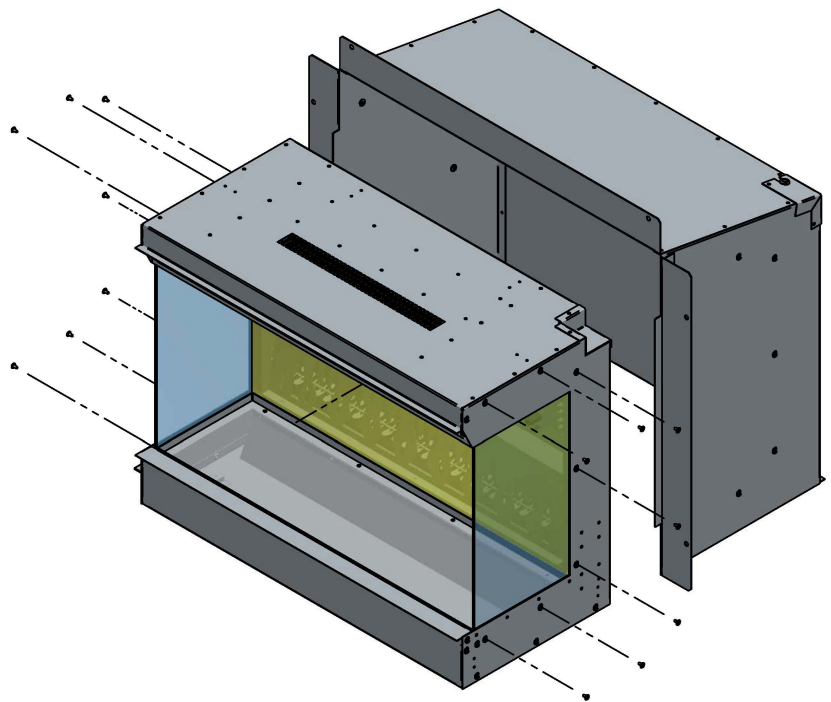
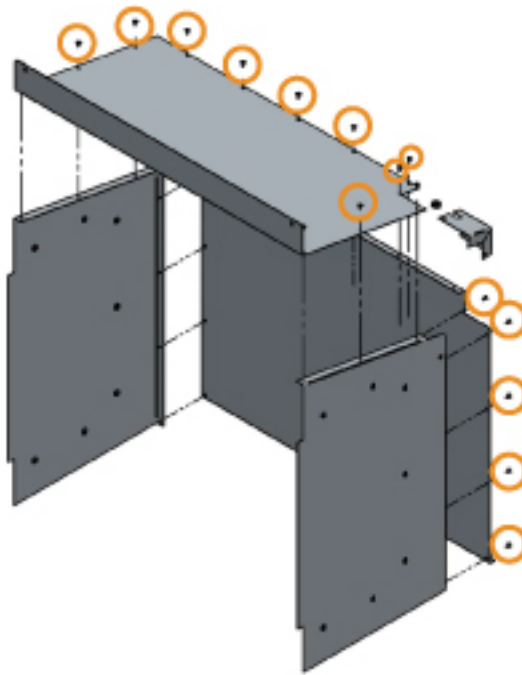
1) The cavity box is stored in the bottom of the polystyrene packaging. First locate the 2x sides of the cavity box and the rear panel, then use a crossed headed screw driver to screw the 4 x 8mm firebox screws into position, securing the 3 pieces together.

2) Locate the top panel of the cavity box and screw to the assembled sides and rear panels with the 4 x 8mm screws provided.

3) Carefully insert the firebox into the assembled cavity box, making sure that the rear power cable is passed through the top right hand hole of the cavity box.

4) Insert the cable gland provided into place around the power cable and then slot the gland into the open end of the corner bracket. Then using 3x 4x8mm screws, secure the corner bracket to the rear of the cavity box.

5) Ensure that the firebox is in the correct position in the cavity box with all 12x of the side screw holes lining up correctly, then screw 6x 4 x 8mm screws each side of the cavity box into the sides of the firebox, securing the two together.



// 9.0 INSTALLATION OVERVIEW

British Fires assumes absolutely no responsibility for injuries and damages that may occur due to improper installation or handling.

Remove any protective film coatings from the finished/decorative surfaces of the appliance, if any. After having selected the final position of the appliance taking into account the integrity of the wall the electric appliance may be secured to the wall.

To ensure customer safety, be sure to design the installation so that the strength of both the wall and any wall fixings used are sufficient. Do not block the ventilation holes of the appliance. The wall onto which the appliance/stud wall is installed must be flat. Install only on a vertical surface. Avoid sloped surfaces. Installation onto anything other than a vertical wall may result in fire, damage or injury.

If the appliance/stud wall is to be mounted on a dry wall or a timber framed construction wall then efforts should be made to fix into two or more wooden studs, or supporting wooden members of the wall using the fixing screws provided. If this is not achievable then the wall should be strengthened using appropriate building materials.

Ensure that the correct wall plugs are used for the type of wall that the stud work is being connected to.

Ensure the plug or fuse spur is fully accessible.

// WARNING:

Before enclosing the appliance, test the power in situation in order to ensure the power to the appliance working properly.

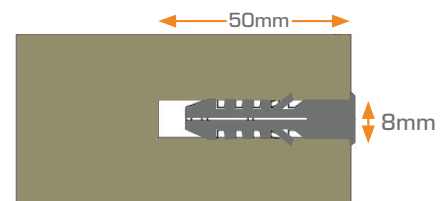
⚠ WARNING

The wall where the appliance is to be installed must be capable of long-term support of the total load of the appliance. Measures should also be taken to ensure sufficient strength to withstand the force of earthquakes, vibration and other external forces. Plasterboard alone is not considered to be a structural material. It is not recommended to rely on plasterboard fixings alone to support the weight of the appliance.



Check regularly for security of wall fixings as appropriate. Also check security of supply cable and connections. If the supply cable becomes damaged, it must be replaced by a service agent or competent person, such as a qualified electrician.

Please note: Before drilling into wall, always check that there are no hidden wires, pipes, etc. Make sure that the screws and wall plugs supplied are suitable for supporting the unit to the surface. Consult a qualified person if you are not sure.



// 9.1 INSTALLATION - EXISTING CHIMNEY BREAST

IF INSTALLED INTO AN EXISTING CHIMNEY BREAST, THE FLUE MUST BE BLOCKED OFF

The stud wall **MUST** include a header at the dimensions, highlighted on the following pages. This is to ensure that the weight of the finished wall is not resting on top of the appliance.

The power inlet cable can be installed through your choice of two locations on the top, right hand corner of the appliance. Each can be accessed through one removable plate.

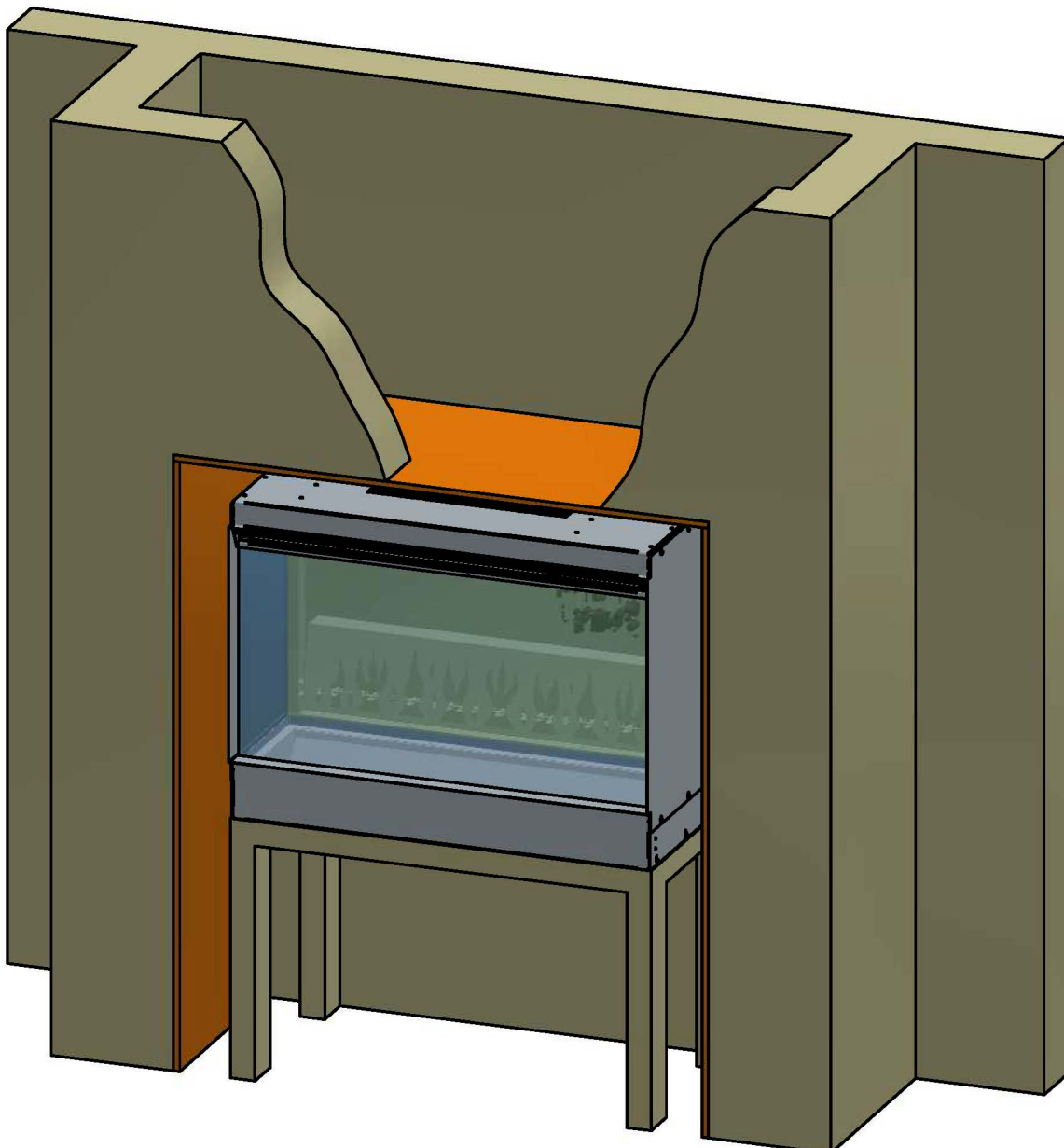
This appliance should be positioned on a firm level surface and in a clean 'dust free' environment. If fitted into an open chimney, the chimney must be blocked off to reduce the risk of draught and damp through the fire, which may cause the safety cut out system in the fan heater to operate.

The base of the opening/stud work must be able to take the full weight of the appliance.

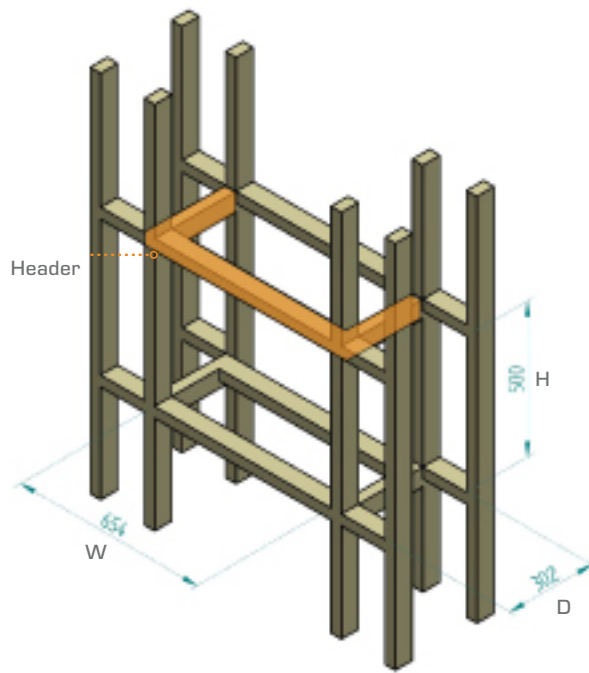
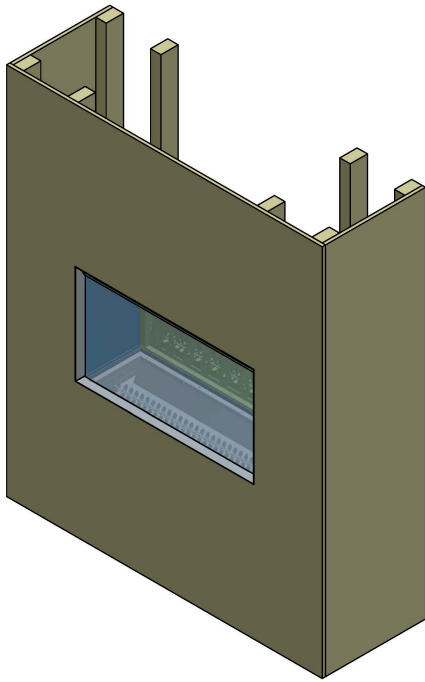
Any protruding headers **MUST** be made of a non-combustible material. See page 16.

To install into a stud wall the mounting bracket must be removed from the rear of the appliance as shown in section 9.2, page 14

Once the frame work has been constructed and secured to the wall and the appliance is in its end position, ensure that there is power to the appliance before any cladding/plasterboard is installed.



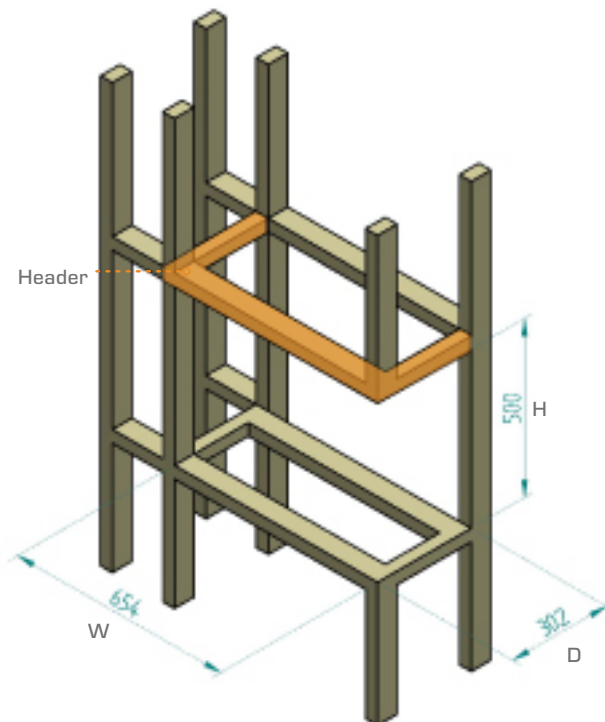
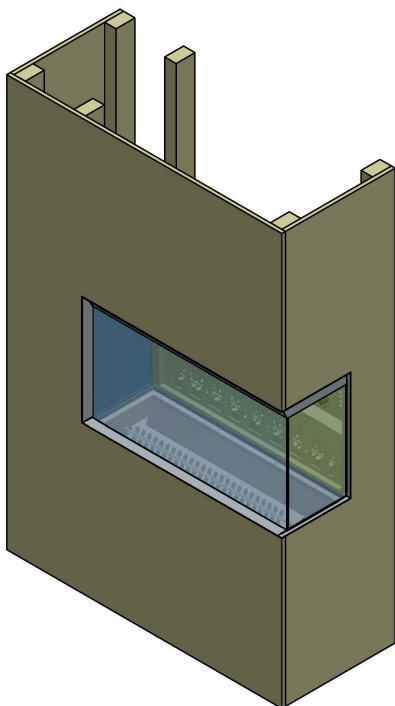
// 9.2 INSTALLATION – STUD WALL



Ashlett Open Dimensions

| Height | Width | Depth |
|--------|-------|----------------|
| 500 mm | 654mm | 302 mm minimum |

// One-sided (fully-recessed) installation

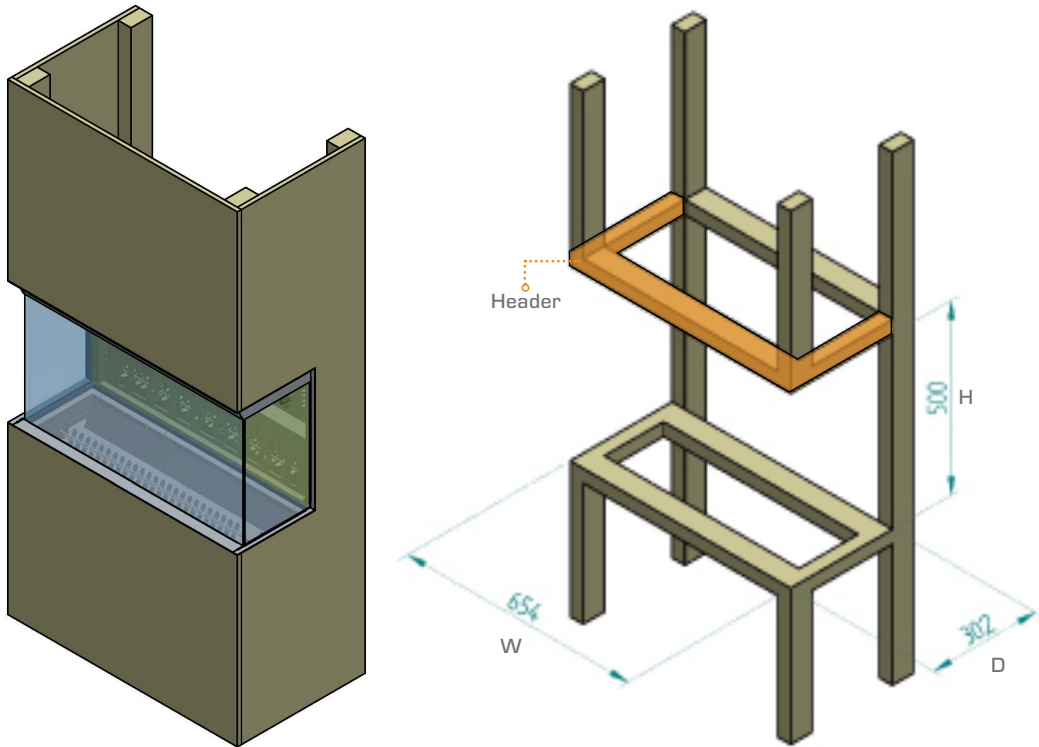


Ashlett Open Dimensions

| Height | Width | Depth |
|--------|-------|----------------|
| 500 mm | 654mm | 302 mm minimum |

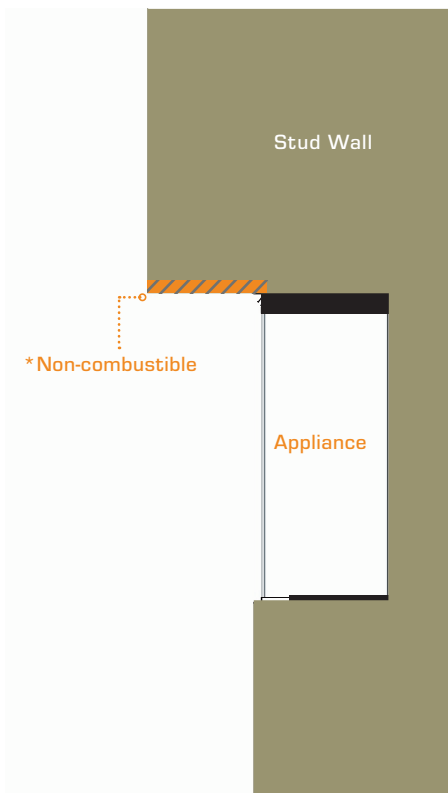
// Two-sided installation

// 9.2 INSTALLATION – STUDWALL - CONTINUED



| Ashlett Open Dimensions | | |
|-------------------------|-------|----------------|
| Height | Width | Depth |
| 500 mm | 654mm | 302 mm minimum |

Non-Combustible Overhang Requirements



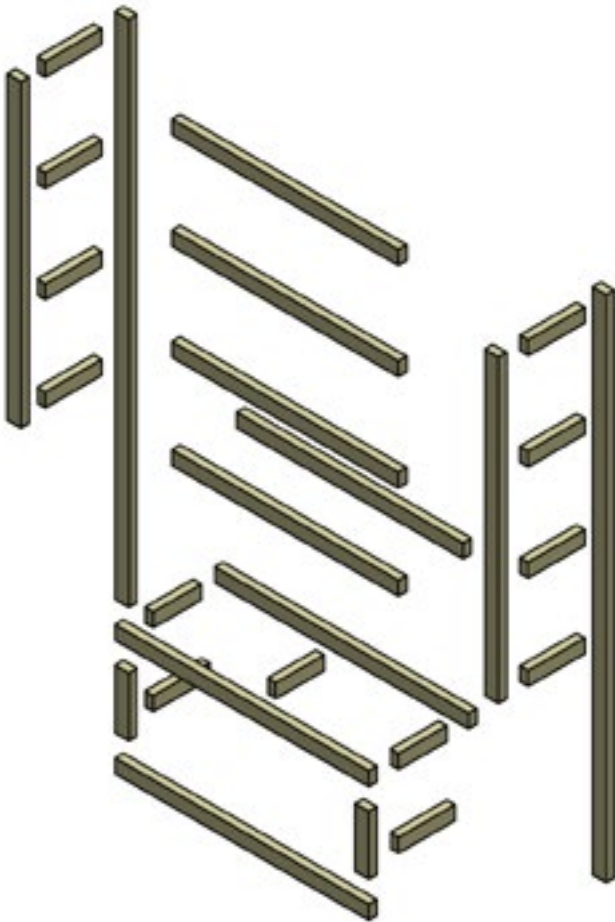
*If the stud wall immediately above the heater protrudes beyond the front of the appliance then the over-hanging section of the installation must be made from a non-combustible material, such as calcium silicate fireboard.

// 9.2 INSTALLATION – STUDWALL FIXING

FALSE CHIMNEY BREAST CONSTRUCTION

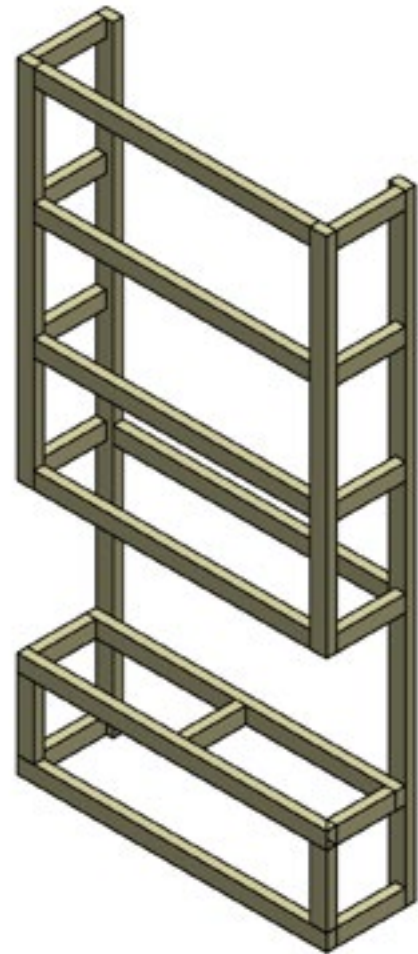
Step 1 – Prepare framework to desired dimensions

See section 9.1 (Pg 11–12) for dimensions



Step 2 – Build frame work and inset the fire

Ensure the structure is safely secured to the wall using the appropriate fixings method and able to support the full weight of the appliance. Please see section 9.0, page 10, for further information



WARNING

The wall where the appliances are to be installed must be capable of long-term support of the total load of the appliance. Measures should also be taken to ensure sufficient strength to withstand the force of earthquakes, vibration and other external forces. Plasterboard alone is not considered to be a structural material. It is not recommended to rely on plasterboard fixings alone to support the weight of the appliance.



Check regularly for security of wall fixings as appropriate. Also check security of supply cable and connections. If the supply cable becomes damaged, it must be replaced by a service agent or competent person, such as a qualified electrician.

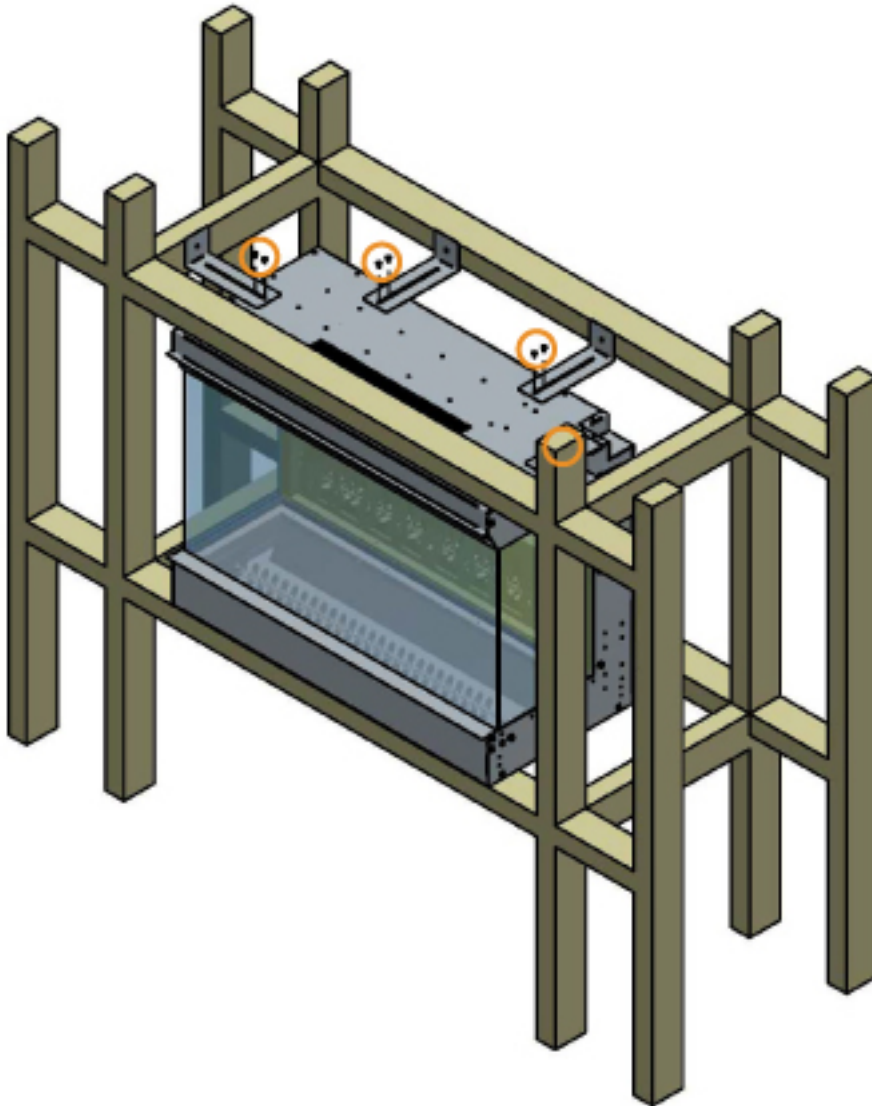
// 9.2 INSTALLATION – STUDWALL FIXING

FALSE CHIMNEY BREAST CONSTRUCTION

Step 3 - Installing the appliance

Insert the appliance into the false chimney breast. Using a cross headed screw driver screw the L shaped wall brackets onto the top of the appliance with the 4 x 8 mm firebox screws provided to suit your preferred installation. (Side fixing or rear fixing.) With a pencil mark through the wall fixing bracket on to the wall/ studding where you wish to attached the appliance to the structure.

Please note: Before drilling into walls, always check that there are no hidden wires, pipes, etc. Make sure that screws and wall plugs supplied are suitable for supporting the unit in your surface. Consult a qualified person if you are not sure.



Remove the appliance from the position and use an appropriate sized drill for the chosen wall fixing. If the appliance is to be installed into a brick masonry wall the supplied wall plugs can be used, to use these wall plugs drill a 8 mm wide x 50 mm deep hole into the wall. Insert the 2x wall plugs into position, then return the appliance to its finished position. Screw the wall screws through the wall brackets on the appliance and into the wall plugs in the wall and tighten, securing the appliance into position.

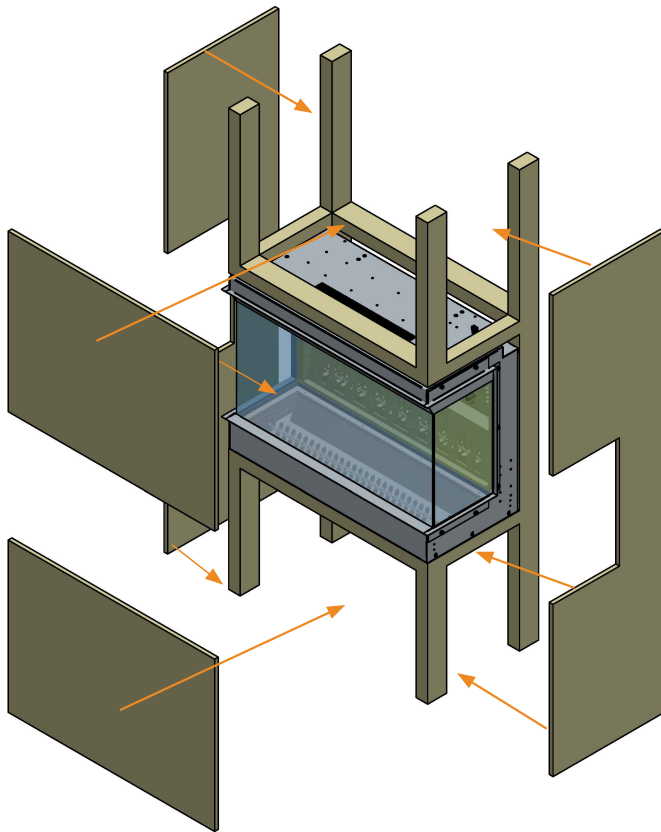
Once the appliance is in the correct position plug the appliance into the wall and check the power to the appliance. Refer to sections 11.0 and 12.0 on how to sync the remote and operate the appliance.

// 9.2 INSTALLATION – STUDWALL FIXING

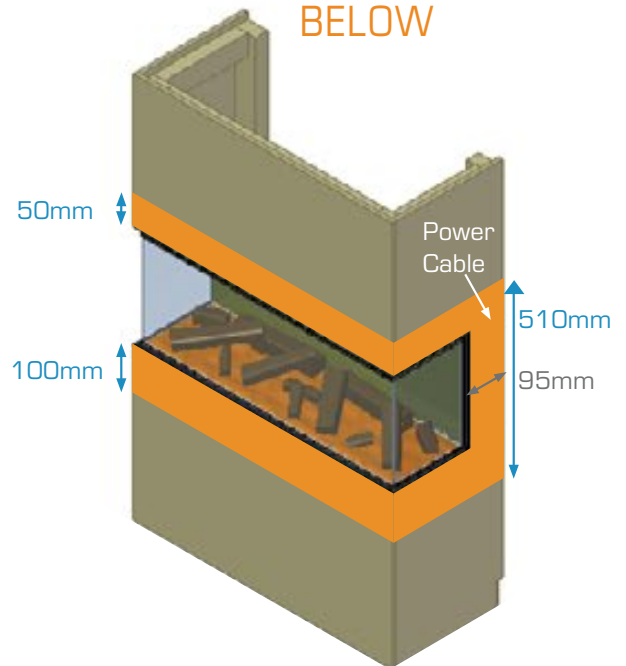
FALSE CHIMNEY BREAST CONSTRUCTION

Step 4 – Add finishing boards. *Important – fire must be in place before this stage*

Please note: Before drilling into walls, always check that there are no hidden wires, pipes, etc. Make sure that screws and wall plugs supplied are suitable for supporting the unit in your surface. Consult a qualified person if you are not sure.



DO NOT DRILL THROUGH HIGHLIGHTED SECTION BELOW



// IMPORTANT:

Important do not drill through the appliance when installing the cladding into position!
The power cable is located on the rear right hand side of the appliance!

// 9.3 INSTALLATION – INSTALLING THE CAVITY BOX

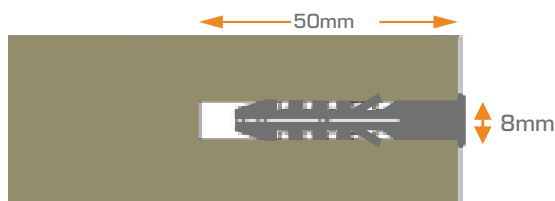
When an Wall Insert is installed into an open chimney, that has been blocked off, British Fires recommends that a cavity box is used in these types of installations. So the installer can guarantee that the flue has no adverse affect on the running of the appliance.

As if there is a flue pull present this can draw the hot air from the appliances outlet back through the appliance, over heat the thermal trip and safely cut the appliances heater off, resulting in an "88" error code.

- 1) For a cavity wall installation with a cavity box create an opening in the wall to the dimensions stated

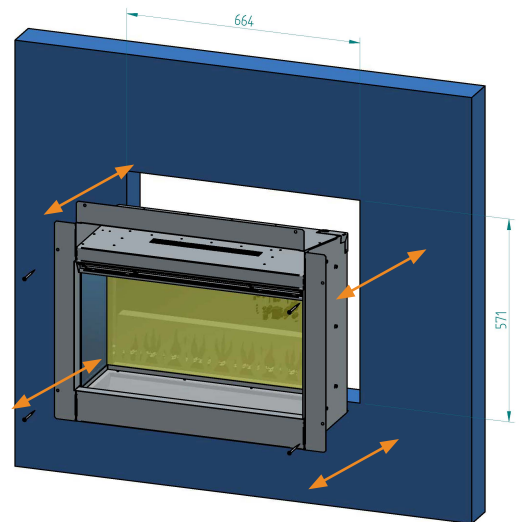
**The installation should be carried out by two adults to avoid injury or damage.
If for any reason it is considered too heavy, please obtain assistance.**

- 2) Insert the cavity box into place then, with a pencil, mark the 4x screw holes.
- 3) Remove the cavity box then drill 4x 8 x50mm holes where the markings are.



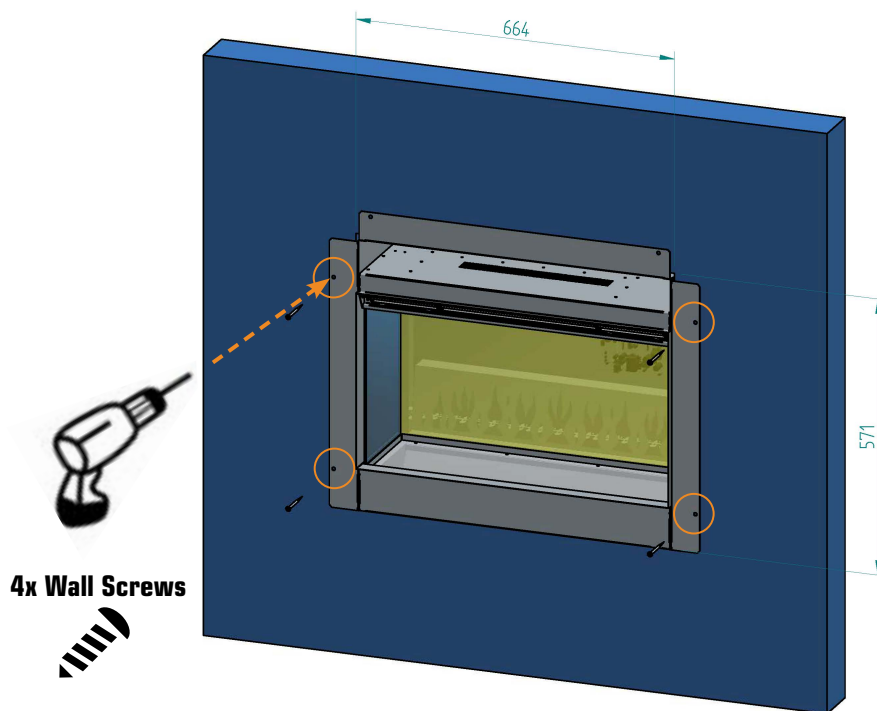
Please note: Before drilling into the wall, always check that there are no hidden wires, pipes, etc. Make sure that the screws and wall plugs supplied are suitable for supporting the unit to the surface. Consult a qualified person if you are not sure.

| Ashlett Open Dimensions | | |
|-------------------------|-------|---------------|
| Height | Width | Depth |
| 571 mm | 664mm | 330mm minimum |



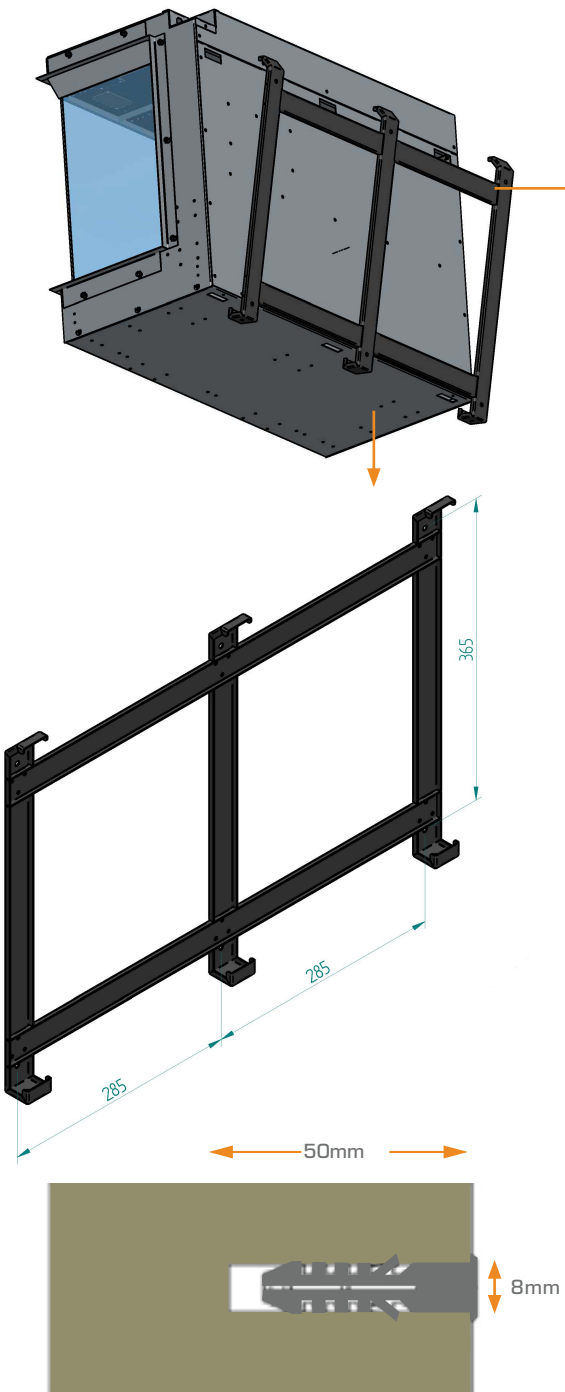
// 9.3 INSTALLATION – INSTALLING THE CAVITY BOX

- 4) Insert the wall plugs into the holes then insert the cavity box back into position.



- 7) Once the appliance is in the correct position check the power to the appliance. Refer to sections 11.0 & 12.0, on how to sync the remote and operate the appliance
- 8) After the power to the appliance has been confirmed, insert the 4x wall screws through the cavity box and into the wall and tighten to secure the appliance into position. Then refer to section 8.0 & 10.0, to remove the front glass and install the fuel bed.

// 9.4 INSTALLATION – FLOATING

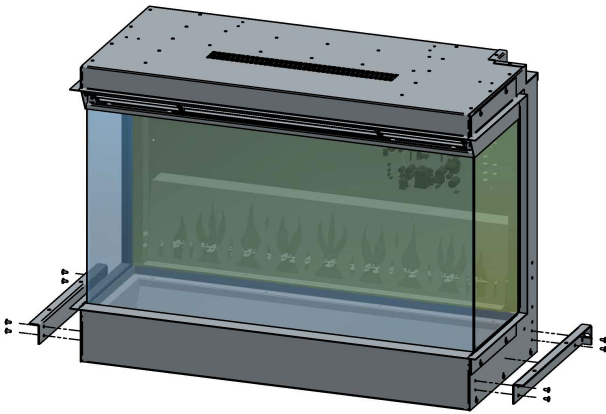


Before installing the appliance onto the wall with the suite, secure the side trims each side of the appliance as described in section 8.0 Preparing the Appliance.

The installation should be carried out by two adults to avoid injury or damage.
If for any reason it is considered too heavy, please obtain assistance.

- 1) Remove the mounting bracket from rear of the appliance by moving the bracket down and out from the appliance.
- 2) Find the optimal place to mount your appliance. Consider the proper position relative to your room, placement of furniture and windows.
- 3) Hold the mounting bracket up to the wall to verify the correct location and ensure that the mounting bracket is level. Use a pencil to mark the six mounting holes on the wall at the desired mounting location, using the mounting bracket as a template.
- 4) Drill a 8mm diameter holes to at least 50mm deep on the marked points. **NOTE:** If installing the mounting bracket to a wall stud, there is no need to drill the holes in the wood and no need for the plastic wall anchors. It is recommended to install the mounting bracket to at least one wooden stud.
- 5) Tap the 6x wall anchors into the pre-drilled holes with a hammer until they are flush with the wall.
- 6) Secure the mounting bracket to the wall by using all 6x wall-fixing screws.
- 7) Install the appliance back onto the wall bracket.

// 9.4 INSTALLATION – FLOATING



8) With the appliance on the wall offer the floating shelf brackets to either sides of the appliance lining up all 8x holes on the floating bracket with the 8x holes on the side of the firebox. Then mark with a pencil through the hole in the end of the bracket against the wall.

9) Remove the appliance off of the wall.

10) Drill a 8mm hole at least 50mm deep on either side of the appliance. **Please note: Before drilling into walls, always check that there are no hidden wires, pipes, etc. Make sure that screws and wall plugs supplied are suitable for supporting the unit in your surface. Consult a qualified person if you are not sure.**

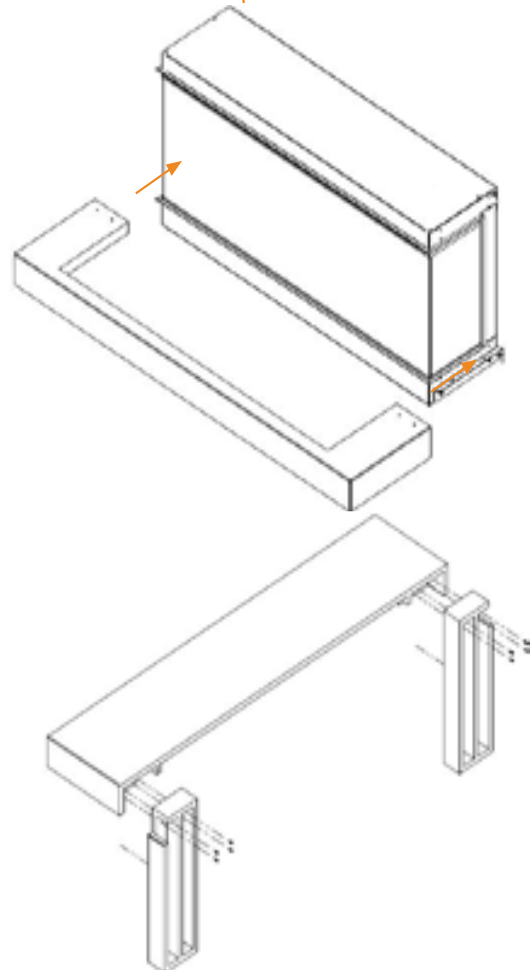
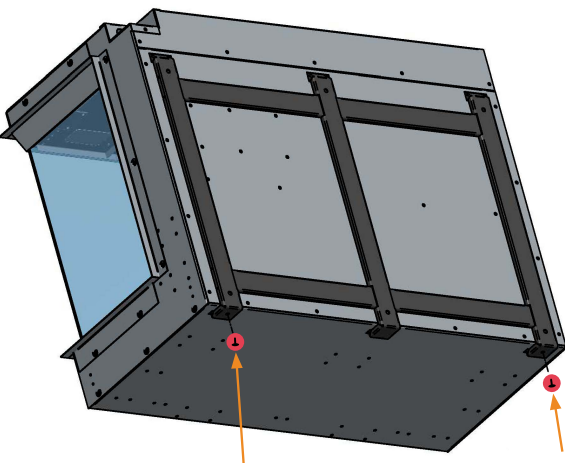
11) Tap the two wall anchors into the pre-drilled holes with a hammer until they are flush with the wall.

12) Install the appliance back onto the wall and screw two wall screws through the floating shelf brackets and into the wall anchors in the wall.

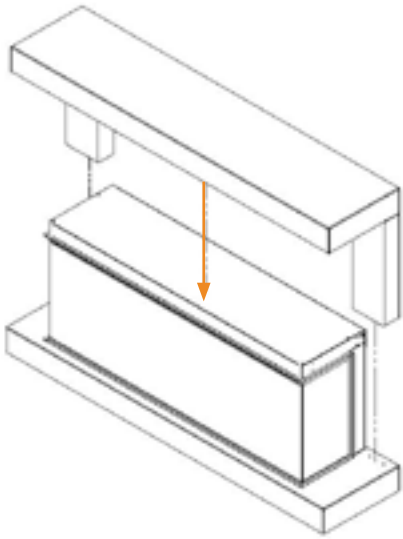
13) Using two (2x) 4 x 12mm screws from the fixing kit, screw the mounting bracket onto the bottom of the firebox.

14) Carefully slide the bottom of the surround onto the floating shelf brackets.

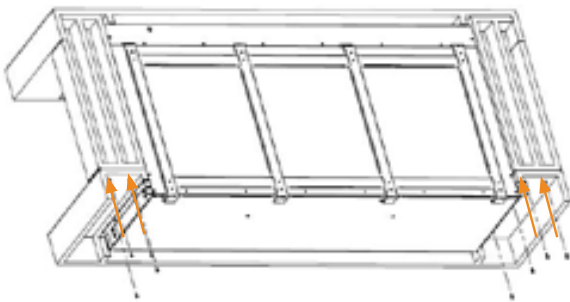
15) Screw the two legs of the surround from the rear onto the back of the top section of the surround as shown.



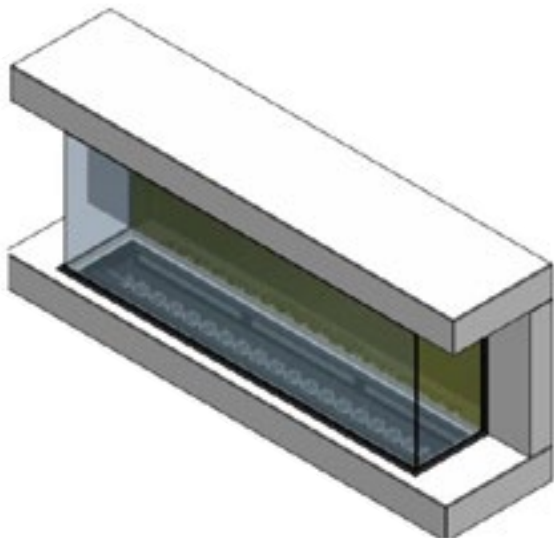
// 9.4 INSTALLATION – FLOATING



- 16)** Carefully lower the top section of the surround onto the top of the firebox.



- 17)** Underneath the appliance, with the surround screws, screw up through the bottom surround and into the legs of the surround top section and up through the floating shelf brackets on the appliance and the top section.



// 10.0 FOREST VIEW FUEL BED LAYOUT



Taking a small amount of the small crystals, scatter randomly over the frosted base as shown above.

PRO TIP – Use the small crystals to pick up extra light from the fuel bed to give you the best effect.



Use the contents from the Forest terrain bag and place this in the formation shown above (image 2) towards the front and sides of the frosted base. There should be a single layer to cover this area of the frosted bed and the crystals still visible.



Using the contents from the Husk bag, cover the area on the frosted bed that is still exposed, making sure the crystals are still visible.



Use the slate pieces and place these randomly on the bed as shown in image 4, above.



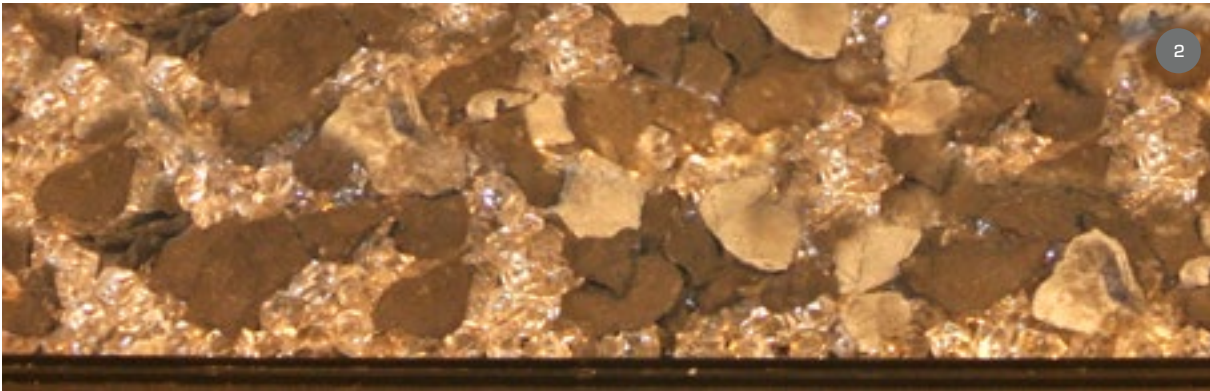
Place the logs on top of the base layer created by the crystals, Forest terrain, Husk and slate pieces. Position them as shown above. The logs can be placed in any order, for this look the larger logs are in the center with the remaining logs around them.

IMPORTANT – Place the logs carefully on the fuel bed so you do not make contact with the rear and side glass. Contact with glass may cause damage.

// 10.1 SLATE VIEW FUEL BED LAYOUT



Evenly scatter the small crystals over the frosted base as shown in image 1, left. The crystals should be spread out across the whole base and form a layer covering the whole area.



Take the two types of the slate effect pieces and spread these evenly throughout, on top of the bed of crystals.



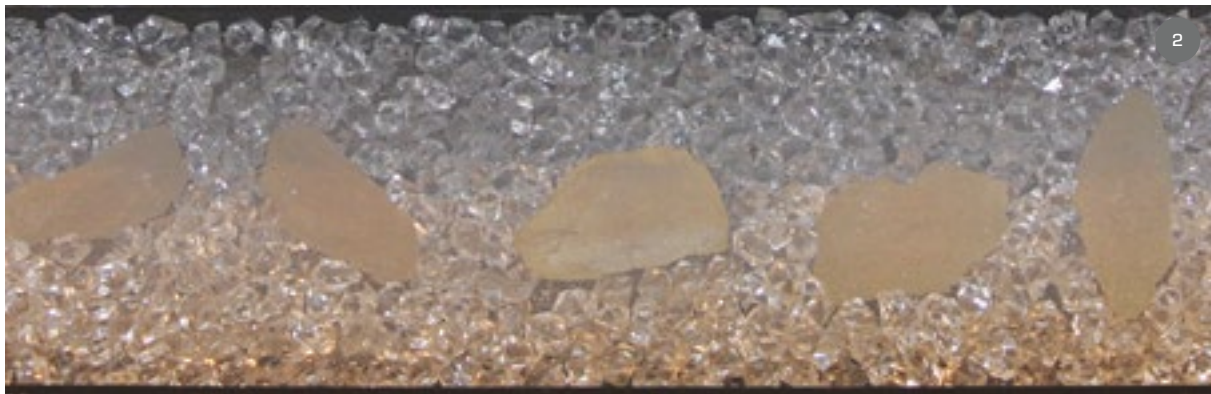
Place the logs on top of the base layer created by the crystals and slate pieces. Position them as shown in image 3. The logs can be placed in any order, we have used the larger ones as centre pieces and placed the remaining logs around them.

IMPORTANT - Place the logs carefully on the fuel bed ensuring you do not make contact with the rear or side glass. Coming into contact with glass may cause damage.

// 10.2 DIAMOND LIGHT VIEW FUEL BED LAYOUT



Evenly scatter the small crystals over the frosted base as shown in image 1, left. The crystals should be spread out across the whole base and form a layer covering the whole area.



Take the larger crystals and place these in position as shown in image 2, left. For the best results, remove a small amount of the small crystals and place the larger crystal directly on the frosted base.



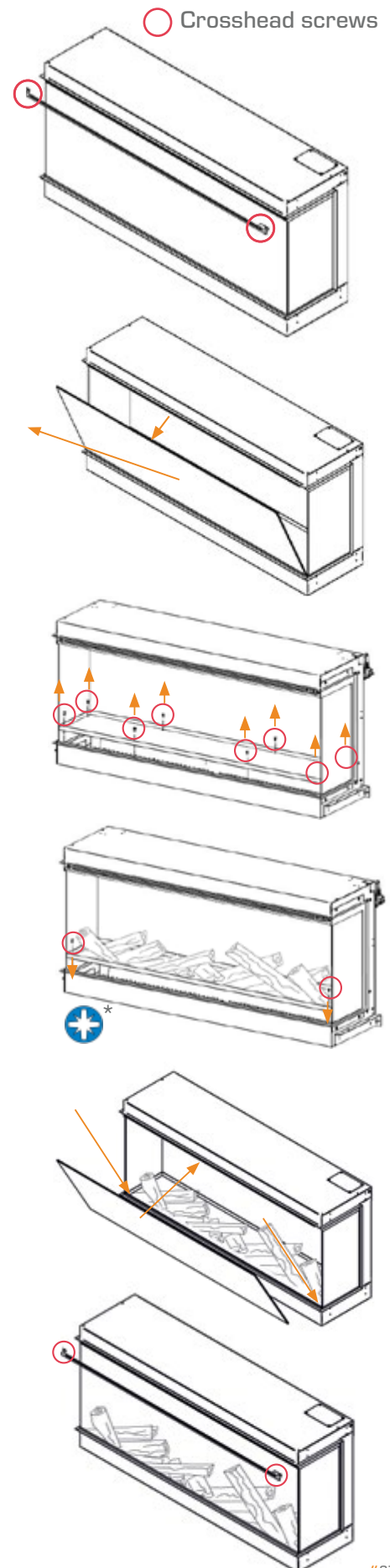
// 10.3 INSTALLING THE DELUXE REAL LOGS

WE STRONGLY RECOMMEND THAT PROTECTIVE GLOVES ARE WORN WHEN HANDLING THE GLASS

- 1) To remove the front glass from cross headed screwdriver to remove the screws from both ends of the top bracket of the appliance, holding the glass in place.

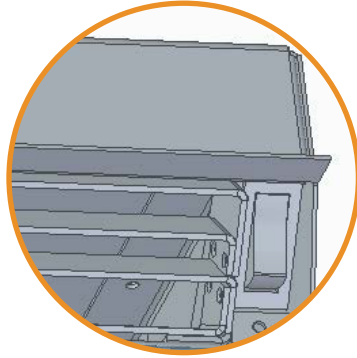
Ensure the glass is supported at all times.

- 2) Next, gently lever the top of the glass towards you, ensuring you have full support.
- 3) Lift the glass up and out from the appliance and place the glass on a soft, flat surface on the floor.
- 4) Remove the Crosshead screws that hold the fuel bed into position, then carefully remove the fuel bed tray from the appliance and place safely to one side. A flat head screw driver can carefully be used to lever the fuel bed out if extra help is required.
- 5) Carefully place the deluxe fuel bed tray into position and line the holes in the fuel bed up with the holes in the firebox. Insert the two (2x) 1½ x 8* screws that secure the fuel bed back into position.
- 6) Carefully lift the front glass into the front slot at the bottom of the appliance, then carefully offer the top of the glass back into position.
- 7) Using a cross headed screw driver, screw the glass retaining bracket back onto the front of the appliance, securing the front glass into place.



// 11.0 PAIRING THE REMOTE CONTROL

The ON/OFF switch is located on the front, top right hand side of the appliance. Press the O/I button once to turn the fire on. The appliance will then automatically start with the LED flame-effect activated.



Within 1 minute of turning the power on by the main ON/OFF switch (located on the front, top right hand side of the appliance), press and hold and the 🔥 and 🔌 buttons on the remote control for 3 seconds, to remotely pair to the appliance, the LCD only displays bL (displayed at the display temperature position) and flashes for 5 seconds, then returns to the current display state. The remote is then paired to the appliance.



// 12.0 OPERATING THE APPLIANCE

1) Standby

Turns the appliance ON/OFF standby, the default settings are: heater set to 82°F/27°C, the main flame effect is F1, the Fuel bed is L1 (no temperature display).

2) Flame Control

Changes the flame effect brightness F1, F2, F3, F4, F1 (cycle adjustment)

3) Heater

Heater button switches to the temperature adjustment option when the weekly timing function is adjusted. Then use the ⊕ and ⊖ buttons to select the desired temperature. The temperature cannot be adjusted while the daily timer control is in use. Only the heating function can be switched.

Temperature Setting range:

Centigrade: 17°C, 18°C, 19°C, 20°C, 21°C, 22°C, 23°C, 24°C, 25°C, 26°C, 27°C, ON, 17°C (Cycle)
Fahrenheit: 62°F, 63°F, 64°F, 65°F, 66°F, 67°F, 68°F, 69°F, 70°F, 71°F, 72°F, 73°F, 74°F, 75°F, 76°F, 77°F, 78°F, 79°F, 80°F, 81°F, 82°F, ON, 62°F (Cycle)

*Press and hold the heater button for 3 seconds can transfer from °C to °F.

4) Fuel Bed

Changes the colour of the fuel bed. L1, L2, L3, L4, L1 (cycle adjustment)

5) Sleep Timer

Adjusts the timer: 1H, 2H, 3H, 4H, 5H, 6H, 7H, 8H, 9H, OF, 1H (cycle)

6) Down Light

Turns the down lighting ON/OFF, (the down light symbol will be lit when it is turned on).

7) Time and Week Settings

Press to enter the time and week timer settings.



8) Lower temperature 1°C or F°

Press this button to lower the temperature by -1°, incrementally, while the heating is turned on.

9) Raise Temperature 1°C or F°

Press this button to raise the temperature by +1°, incrementally, while the heating is turned on.

10) Date Set

To choose from Monday to Sunday or week timer mode option. Option mode: 1-2-3-4-5-6-7-A-oF.

11) Non Operational

This button is non operational with this model.

// 12.0 OPERATING THE APPLIANCE

CONTINUED

Standby Button:

Turns the appliance ON/OFF standby, the default settings are: heater set to 27°C, the main flame effect is F1, the Fuel bed is L1 (no temperature display).

Changing Flame Effect:

In the power-on state, press this button, the digital screen displays the flame position and the flame indicator is bright, and the main flame position can be adjusted.

The flame brightness settings are: F1, F2, F3, F4, **Set as follows:**

| Button | Display | Flame Effect |
|-----------|---------|------------------------|
| 1st Press | F1 | Full |
| 2nd Press | F2 | Medium |
| 3rd Press | F3 | Low |
| 4th Press | F4 | Cycle through settings |

Heating Operations:

1) Press the heater button to turn the heating function on and off and adjust the temperature setting. Heater is divided into temperature settings: 17°C, 18°C, 19°C, 20°C, 21°C, 22°C, 23°C, 24°C, 25°C, 26°C, 27°C, ON, 17°C (Cycle)

2) Press and hold the heater button for 3 seconds to convert the temperature unit from °C to °F. The temperature display window will flash. After the temperature is set, the display unit will flash 5 times, then automatically save the settings and exit the setting state. After the display unit is turned on, if there is no operation within 10 seconds, the setting status is also exited.

3) Fan delay function: After the appliance is turned off, the fan will continue running for 15 seconds then stop.

Open Window Detection function:

When the appliance is heating and the ambient temperature suddenly drops $\geq 5^{\circ}\text{C}$ within 10 minutes, and the environment cannot be warmed up within 30 minutes the appliance will automatically display "OP". The heating function will then be automatically turned off, and when the "OP" is displayed, it can be turned off and then restarted by turning off and on the appliance to clear the fault code.

4) This appliance has a non-self-resetting overheat protection device (thermal cut-out) which will activate if the air inlets or outlets are obstructed. For safety reasons the fire will NOT switch on again automatically, the following procedure must be carried out before the fire can be operated.

NOTE: The flame-effect will remain operational if the cut-out is activated, only the fan heater is prevented from working.

Switch OFF the appliance at the wall socket or outlet. Leave the fire OFF for a period of no less than 10 minutes, ensuring all obstructions are removed. Switch the appliance ON at the wall. Ensure the appliance is turned ON at the control switches. If the fire fails to operate correctly, repeat the above procedure.

Refer to section 11.0 for more information about the Safety Cut-Out System.

// 12.0 OPERATING THE APPLIANCE

CONTINUED

Fuel Bed Color Options:

Once powered, press the “Fuel Bed” button and the LCD screen on the remote will display the fuel bed icon. Now, the fuel bed color can be adjusted. The different settings are: L1, L2, L3, L4, L5, L6; Fuel bed light. **Set as follows:**

| Button | Display | Flame Effect |
|-----------|---------|--------------|
| 1st Press | L1 | Red |
| 2nd Press | L2 | Orange |
| 3rd Press | L3 | Red +Orange |
| 4th Press | L4 | Blue |
| 5th Press | L5 | Yellow |
| 6th Press | L6 | Auto Cycle |

Setting Sleep Timer:

In the timed display, press the “Sleep Timer” button to adjust the time, plus one hour for each press. (You can’t enter the weekly timing selection, you can only set the current automatic shutdown time. This function is available when the weekly timing function is turned on. Will not operate). Timing range: 1H, 2H, 3H, 4H, 5H, 6H, 7H, 8H, 9H, OF, 1H (cycle adjustment).


Control Down Lighting:



Turns the down lighting lights on and off.




Setting Clock and Timer:

Use the date button to choose from Monday to Sunday or week timer mode option. Option mode: 1-2-3-4-5-6-7-A-oF.

Clock setting:




1) At standby state (after the unit is plugged in and before pressing “main power”), press and hold the Setting button  on the remote for 3 seconds, the digital display will then flash “00:00”.

2) Press  on the remote control to set the hour, press the remote control  to set the minutes.

3) Press “Setting”  to enter the setting of the week timer. Press  to select Sunday to Saturday, The date symbol will light up after the day is selected. When finished, press the  button to exit setting.

NOTE: The current clock must be set after the initial power-on or power-off, otherwise the clock will remain “00:00” status and you won’t be able to set the week timer function.

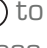

Heat settings:






Use the remote control’s Heater button  to select the temperature. The system default parameters are: 27°C. Press  &  buttons to select the temperature when the heating is turned on. Temperature range: 16° – 27°C; ON; 16°C; (Cycle).



Timing switch ON/OFF preset:

1) While in the standby state, press the sleep timer  button

on the remote for three seconds to pre set timing switch on/off the week timer.

Enter mode 1, while the display is “1 ON”, the clock will be “01:00”, press  to set hour, press  to







set minute, press  to set the week, every press on the  will show SU, MO, TU, WE, TH, FR, SA and flash in turn, you can use the  key to select or de-select the desired date. The  indicates all of the selected days. Press the “Heater”  button to enter the temperature setting, then press

the  &  button to set temperature.




// 12.0 OPERATING THE APPLIANCE

CONTINUED

2) Press “Setting”  again to set the timer switch off, the display is 1 OFF, the clock is displayed as “02:00”, press  to set hour, press  to set minute, the date of the timer off is the same as the timer on, you can't change this manually. After setting, press  to enter the setting of mode 2, which operates the same as mode 1. You can set mode 1 to mode 7 with the above method. Press  or  on the remote for 3 seconds to save setting and exit week timer setting.







3) After the preset timing ON/OFF switch, you can use the clock/timer  button to select the desired timing mode 1-2-3-4-5-6-7 - auto option, after the option shows five seconds without any operation, it will save the selected option and enter the current setting of the option, the

timer logo of the display lightens and will automatically run the preset switch setting program. You can individually select each setting of modes 1-7 for automatic ON/OFF switching, or you can preset the desired settings, and then select “auto mode” for multiple preset series executions.

4) If you want to set the ON/OFF switch and temperature setting for different periods of the week, then set the switching time and temperature of each day from Sunday to Monday in mode 1-7.

After setting, use the “auto mode” to run timing switch and then the system will run the week timer of 1-7 modes. You can also set 1-7 modes within 1 day, use the “auto mode” to run timing switch ON/OFF within one day. Be aware that when you use “auto mode”, you need to make sure the settings of times does not overlap each other, otherwise the timer will not operate.

5) After entering the week timer setting, press the  button for 3 seconds to exit the week timer mode, then the timer symbol will be extinguished. You can check the 1-7 timer settings by pressing the “Setting”  button. For example: press  to display (1 ON “01:00” temperature 27°C), press  again to display (1 OFF “02:00” temperature 27°C). Press the “Setting” button again to display (2 On “03:00” temperature 26°C) then press the Setting button to display (2 OFF “13:00” temperature 27°C). The wireless remote control and the appliance must be kept within 4 meters to prevent the remote control and the appliance from failing due to the distance exceeding the effective remote control range when working at the weekly timing. After the weekly time is turned on, the remote controller automatically controls the appliance at the set appointment time.

// 13.0 SAFETY CUTOUT SYSTEM

This product has one non-self-resetting overheat protection device (thermal cut-out) which will activate if the air inlets or outlets are obstructed. For safety reasons the fire will NOT switch on again automatically, the following procedure must be carried out before the fire can be operated.

NOTE: The visual effect will remain operational if the cutout is activated, only the fan heater is prevented from working.

Switch OFF the appliance at the wall socket or outlet. Leave the fire OFF for a period of no less than 10 minutes, ensuring all obstructions are removed. Switch the appliance ON at the wall. Ensure the appliance is turned ON at the control switches. If the fire fails to operate correctly, repeat the above procedure. If an attempt to switch on the appliance is made before the safety cutout has reset, the appliance may cutout for a further period of time. If the sequence has been followed correctly and the appliance still fails to function, check the fuse in the wall outlet. If this is not the cause, call an electrician or maintenance engineer.

// 14.0 CLEANING AND MAINTENANCE

Always disconnect the stove from the mains supply before undertaking any maintenance.

For general cleaning use a soft clean duster – never use harsh abrasives or cleaners. The glass viewing screen should be cleaned carefully with a soft cloth.

If in doubt consult a qualified electrician. Refer to Section 3.0 Appliance Data for fuse specification. Excluding fuses, use only genuine manufacturers spare parts available from your supplier.

// REPLACING THE REMOTE CONTROL BATTERY:

When the battery becomes weak, the range of the remote control becomes shorter. Replace with two (2) new AAA batteries.

1. Slide open the battery cover on the back of the remote control.
2. Insert two new AAA batteries into the remote control.
3. Place the battery cover back onto the remote.

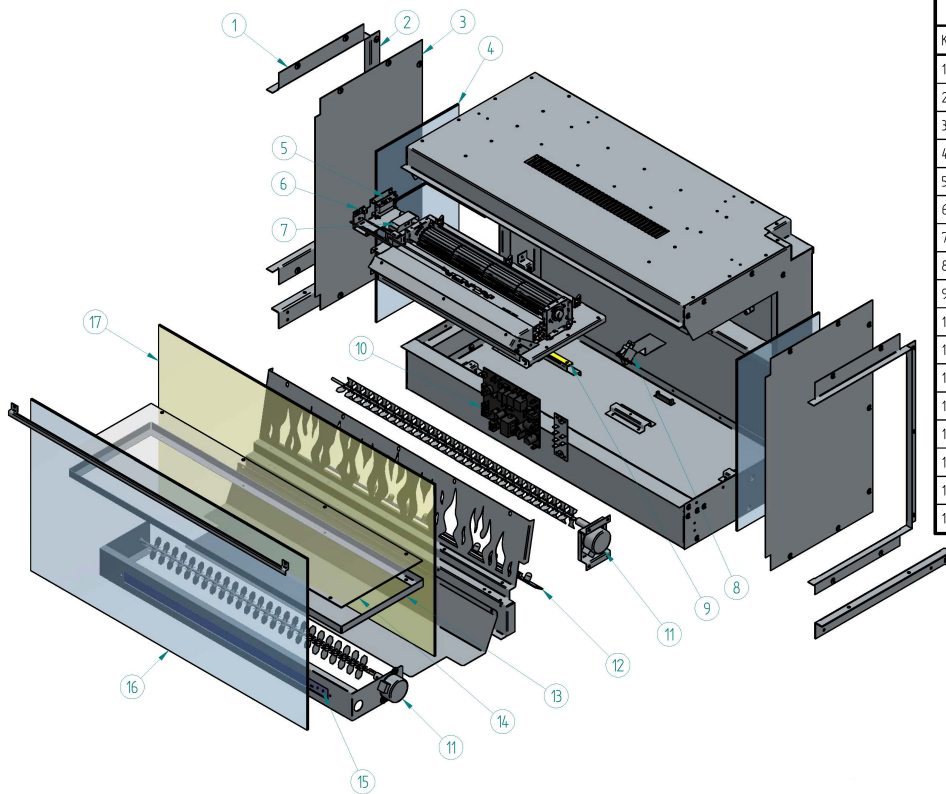
NOTE: Keep the batteries out of the reach of children.

// 15.0 TROUBLESHOOTING GUIDE

| My New Forest Electric Fire... | Remedy |
|----------------------------------|--|
| is not switching on | Ensure mains switch is on. Replace the fuse in the plug. |
| is not emitting any heat | The fire is fitted with an energy saving thermostat. If the temperature in the room is higher than the temperature selected on the fire, then the thermostat will stop the heater from turning on. For example, if the room temperature is 22°C or above and the fire's heater is set at 22°C, then the heater will not be required until the room temperature drops below 22°C. If this is the case select a higher temperature setting than the room's temperature and the heater will begin to operate. The safety cut-out may have been operated. Switch the appliance off, leave for 10 minutes then switch back on. |
| shuts off after a period of time | <p>Check that the temperature is not set onto the lower settings.</p> <p>If the room is warm enough the thermostat will stop the fire switching the heat on.</p> <p>Check that the air inlet/outlet is blocked off.</p> <p>Check that the window detection sensor has not activated.</p> |
| Display panel shows | <p>88 There is a fault with the heater. Check that the temperature is not set onto the lower settings. If the room is warm enough the thermostat will stop the fire switching the heat on. Check that the air vent are not blocked off.</p> <p>EE There is an electrical fault. A service engineer will need to check the thermostat for any loose connections.</p> <p>OP The open Window Detection function is in operation, this operates when the appliance is heating and the ambient temperature suddenly drops $\geq 5^{\circ}$ C within 10 minutes, and the environment cannot be warmed up within 30 minutes, resulting in the appliance automatically displaying "OP." The heating function will then be automatically turned off, and when the "OP" is displayed, it can be turned off and then restarted by turning off and on the appliance to clear the fault code.</p> |

// 16.0 SPARE PARTS

Refer to Section 3.0 Appliance Data for lamp an specification. Excluding lamps, use only genuine manufacturers spare parts available from your supplier.



| ASHLETT ELECTRIC INSERT – RECOMMENDED SPARES | | | |
|--|-------------|------------------------|-----|
| KEY | PART NUMBER | DESCRIPTION | QTY |
| 1 | F960387 | SMALL SIDE TRIM | 4 |
| 2 | F960388 | LARGE SIDE TRIM | 2 |
| 3 | F960389 | BLANKING PANEL | 2 |
| 4 | F960390 | SIDE GLASS PANEL | 1 |
| 5 | F960391 | REMOTE RECEIVER | 1 |
| 6 | F960392 | NTC THERMOSTAT | 1 |
| 7 | F960393 | FAN & HEATER ASSY | 1 |
| 8 | F960394 | ISOLATOR SWITCH | 1 |
| 9 | F960395 | DOWNLIGHTING LED STRIP | 1 |
| 10 | F960396 | MAIN PCB | 1 |
| 11 | F960397 | ROTISSERIE MOTOR | 2 |
| 12 | F960398 | FLAME EFFECT LED STRIP | 1 |
| 13 | F960399 | FUELBED TRAY | 1 |
| 14 | F960400 | FROSTED FUELBED | 1 |
| 15 | F960401 | FUELBED LED STRIP | 1 |
| 16 | F960402 | FRONT GLASS PANEL | 1 |
| 17 | F960403 | REAR GLASS PANEL | 1 |

// 17.0 SERVICING

In the event of the mains plug being removed/ replaced for any reason, please note :

The wires in the mains lead are coloured in accordance with the following code:

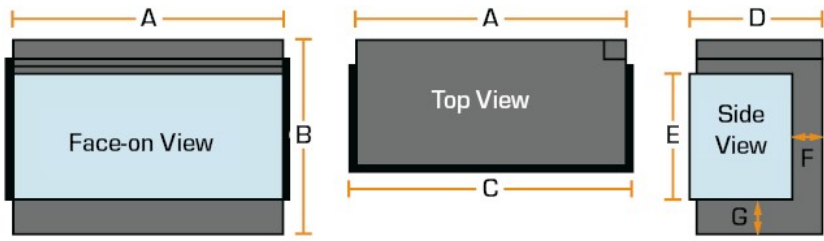
| | |
|------------------|---------|
| Blue | Neutral |
| Brown | Live |
| Green/ Yellow | Earth |

As the colours of the wires in the mains lead of this appliance may not correspond with the colour markings identifying the terminals in your plug, proceed as follows.

The blue wire must be connected to the terminal marked with an N or coloured black. The brown wire must be connected to the terminal marked with an L or coloured red. The green/yellow wire must be connected to the earth terminal which is marked with an E or with the earth symbol.

NOTE: If a moulded plug is fitted and has to be removed take great care in disposing of the plug and severed cable, it must be destroyed to prevent engaging into a socket. Refer to Section 3.0, Appliance Data specification. Only genuine manufacturers spare parts available from your supplier. *There are no internal user serviceable parts.*

// 18.0 ASHLETT DIMENSIONS



| | |
|---|---------|
| A | 652.0mm |
| B | 491.0mm |
| C | 677.0mm |
| D | 313.0mm |
| E | 363.0mm |
| F | 82.0mm |
| G | 90.0mm |

// 19.0 THREE YEAR GUARANTEE – TERMS AND CONDITIONS

3-YEAR GUARANTEE TERMS AND CONDITIONS

At British Fires we pride ourselves on quality and performance, so much so that each British Fires electric product is applicable for a 3-year guarantee when purchased from an authorised dealer. We offer a standard 1-year guarantee on every electric product, but to ensure your product is covered for a further 2 years, free registration is required on our website www.britishfires.com/guarantee. Full warranty terms and conditions are available to view at www.britishfires.com.

All appliances must be installed in a correctly ventilated space in accordance with the manufacturer's installation instructions and the rules in force. This brochure is for guidance only and is not intended to replace the installation manual, which provides more detailed information. All of our fires carry CE Approval. April 2019. British Fires™

- 1) For any claim to be made within the 3 years from date of purchase you will be required to provide and supply your original proof of purchase.
- 2) All appliances must have been installed and operated in accordance with the manufacturer's instructions.
- 3) Purchase(s) must be made through an authorised stockist/retailer.

Please note all consumable items such as any ceramics including; coals, pebbles, logs, bark, crystals, rear panels are not covered by the 3-year guarantee.

During the guarantee period any product or component which is proved to be faulty or defective

in manufacture, will be repaired or replaced free of material and labour charges, providing that we have authorised or carried out the repair or replacement.

We will not accept or reimburse the costs of any third-party who undertakes any work carried on the product or fits parts, unless we have approved such work in advance of it being carried out.

The guarantee period will not be extended even if we repair or replace any product or part.

MAKING A CLAIM:

If you wish to make a claim under our guarantee and all the terms and conditions for your product have been met then please submit the following information for the attention of the Service Department to the address below.

Alternatively, you can email or fax. British Fires, Service Department, Reid Street, Christchurch, Dorset, BH23 2BT.

EMAIL: Guarantee@britishfires.co.uk

FAX: 01202 588639.

Details required:

- 1) Name, full address including postal code and contact telephone number.
- 2) A copy of your proof of purchase (e.g. receipt or bank statement). Please note that this does not affect your statutory rights.



Waste electrical products should not be disposed of with household waste. Please recycle where facilities exist. Check with your local authority or retailer for recycling advice.

As our policy is one of continuous improvement and development, we therefore, hope that you will understand we must retain the right to amend details and/or specifications without prior notice.



This product complies with conformity requirements of the applicable UK Regulations.



This product complies with conformity requirements of the applicable European Regulations or Directives.



This product complies with conformity requirements of the applicable European Regulations or Directives.



This product is only suitable for well insulated spaces or occasional use. Please note: Except where otherwise stated, all rights, including copyright in the text, images and layout of this booklet is owned by British Fires. You are not permitted to copy or adapt any of the content without the prior written permission of British Fires. © 2024 British Fires

Models covered by these instructions:
Ashlett LED Electric
Wall Inset SK5545

All instructions must be handed to the user for safekeeping.
Revision A - 03/24

British Fires
Unit 10 Avon Trading Park
Christchurch, Dorset
BH23 2BT,
United Kingdom

RBK House
Irishtown, Athlone
Co. Westmeath
N37 XP52, Ireland

T: 0808 169 9911
W: britishfires.com
E: sales@britishfires.com