



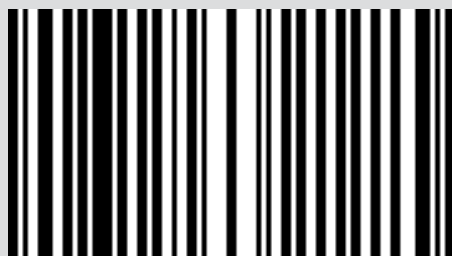
PELLET STOVE

# LOTO Multiair

## PART 2 - OPERATION AND CLEANING

Instructions in English

**RED**  
HEATING



8901717800

## TABLE OF CONTENTS

TABLE OF CONTENTS .....	II
10-FIRST START-UP .....	3
11-CONTROL PANEL .....	5
12-MENU ENTRIES AND OPERATION .....	6
13-SAFETY DEVICES .....	14
14-ALARMS .....	15
15-RECOMMENDATIONS FOR SAFE USE .....	20
16-CLEANING .....	21
17-FAULTS/CAUSES/SOLUTIONS .....	31
18-COMFORT AIR STOVE WITH THREE FANS CIRCUIT BOARD.....	34

## 10-FIRST START-UP

### PRECAUTIONS BEFORE START-UP

#### GENERAL PRECAUTIONS

Remove any objects that may burn from the brazier (manual, various adhesive labels or any polystyrene).

**Check that the brazier is positioned correctly and rests properly on the base.**



*The first start-up may not be successful as the feed screw is empty and does not always manage to load the brazier with the required amount of pellets in time to light the flame.*

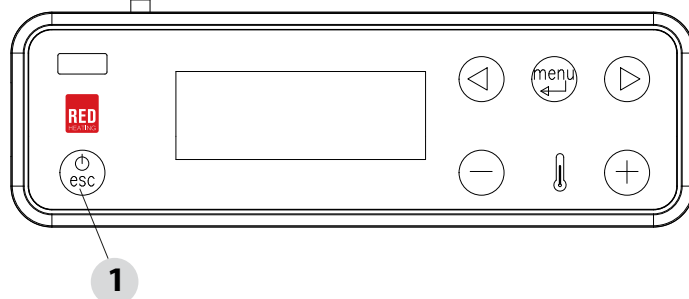
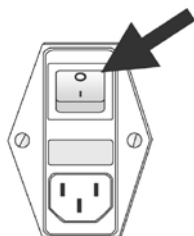


**CANCEL THE FAILED IGNITION ALARM BY PRESSING AND HOLDING THE ON/OFF KEY FOR A FEW SECONDS. REMOVE THE PELLETS LEFT IN THE BRAZIER AND REPEAT THE START-UP.**

#### SETTINGS TO BE CARRIED OUT BEFORE THE INITIAL START-UP

After connecting the power cable to the back of the product, turn the switch at the back to position (I). To turn the stove on or off, press button **1** on the control panel.


The display on the panel will be ON with a flashing flame. When the flame stops blinking, the stove has reached the operating condition



to “supply power”.

The default target room temperature is set at 20°C. To change this setting, follow the instructions in the adjustments menu; do the same to set the heating water temperature and the speed of the ventilation fan (if provided). To activate an external thermostat, if present, see the dedicated paragraph.

#### POWER SUPPLY

When start-up is complete, the panel will display ON with a constant flame at level 3 . The modulation of the flame for higher or lower power is then controlled autonomously on the basis of reaching the set temperature. (see also “OPERATING MODE” - “Set Flame”)

## 10-FIRST START-UP

If the flame fails to ignite, despite a regular flow of pellets, check that the brazier is seated correctly: it must **rest snugly against the interlocking slot and be clean of any ash incrustations**. If no anomaly is found during this inspection, there may be a problem with the product components or installation may not be correct.



**REMOVE THE PELLETS FROM THE BRAZIER AND CONTACT AN AUTHORISED TECHNICIAN.**

***Please ensure the brazier is clear of ALL pellets and ash build up following any failed ignitions. Failure to clear out the brazier prior to resetting may result in further failed ignitions or in certain conditions an explosive ignition.***



***It is good practice to ensure effective ventilation in the room during the initial start-up, as the product will emit some smoke and smell of paint.***

Do not stand close to the boiler and ventilate the room as described. The smell of paint will disappear after about an hour of operation, however, it is not harmful in any case.

The product will be subject to expansion and contraction during the start-up and cooling phases, therefore slight creaking noises may be heard.

This is absolutely normal as the structure is made of laminated steel and must not be considered a defect.



**DO NOT EXPECT HEATING EFFICIENCY IMMEDIATELY!!! THE PRODUCT NEEDS SOME RUNNING-IN TIME.**

It is extremely important to make sure the product does not reach high temperatures straight away, but to increase the temperature gradually using low power at first.

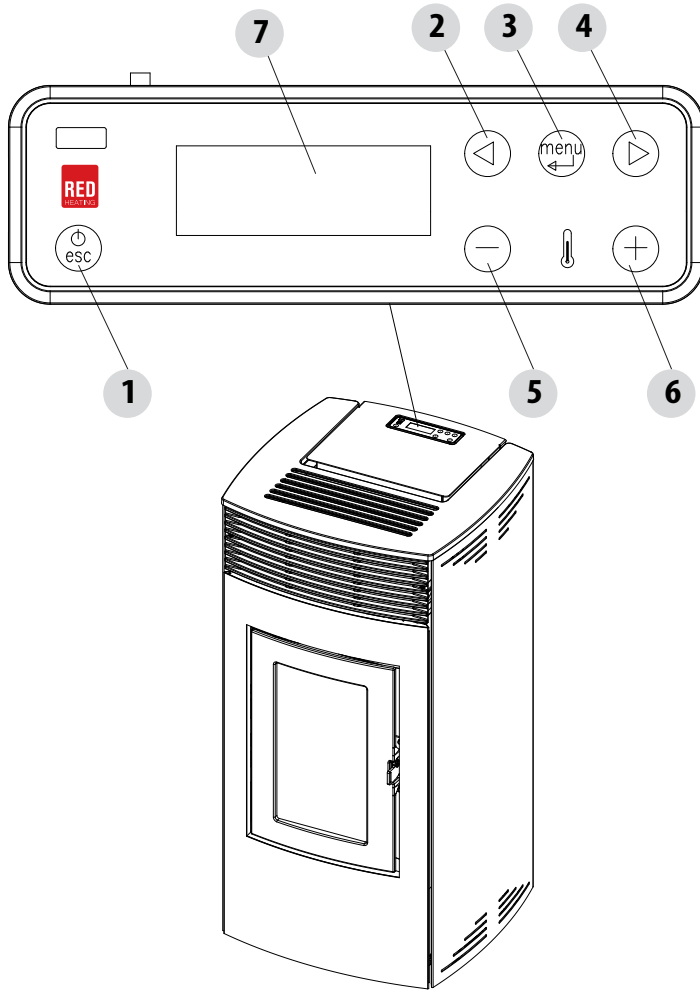
This will prevent damage to the welds and the steel structure.



***Do not touch the product during the first lighting, as it is during this phase that the paint sets. If you touch the paint, you may expose the steel surface.***

If necessary, touch up the paint with the spray can of the specific colour.

## 11-CONTROL PANEL



### KEY

- |  |  |
|--|--|
| 1. Stove switch-on/switch-off                  | 5. Decrease set temperature / programming functions. |
| 2. Scrolling down through the programming menu | 6. Increase set temperature / programming functions. |
| 3. Menu  | 7. Display.  |
| 4. Scrolling up the programming menu           |  |

## 12-MENU ENTRIES AND OPERATION

### MAIN MENU

Press key 3 (menu) to access. The options accessed are:

- Date and Time
- Timer
- Sleep (only when stove is on)
- Settings
- Info

### Date and time configuration

Configure the time and date as follows:

- Press the “menu” key.
- Select “Date and Time”.
- Press “menu” to confirm.
- Scroll through with the arrow keys and select the variables to be edited one at a time: Day, Hour, Min, Num. day, Month, Year.
- Press “menu” to confirm
- Use the + and - keys to edit.
- Finally, press “menu” to confirm and “esc” to exit.

### CONFIGURATION OF PROGRAMMED MODE (TIMER) - Main menu



***The current time and date must be configured to ensure correct operation of the timer.***

There are six configurable TIMERS; for each one, the user can select a start and stop time and the days of the week when it is in use. When one or more programs are active, the status of the stove and the TIMER “n” alternate on the display. “n” is the number of timer programs in use, separated by dashes.

Example:

TIMER 1 Timer 1 program active.

TIMER 1-4 Timer 1 and 4 programs active.

TIMER 1-2-3-4-5-6 All timer programs active.

EXAMPLE OF PROGRAMMING

With the stove on or off:

- access the MENU,
- scroll to the TIMER item using the <> arrows,
- press the “Menu” key
- the system shows “P1” (Press the <> keys to move through the timers P2, P3, P4, P5, P6)
- Press the “Menu” key to activate “P1”.
- press + - and select “ON”
- press the “Menu” key to confirm

At this point the start time is 00:00. Press the + - key to set the start time and press the “menu” key to confirm.

Next, the proposed stop time is 10 minutes later than the configured start time: press the + key and edit the stop time, and press the “menu” key to confirm.

Next, you are asked to set the days of the week when the configured timer is to be enabled or disabled. Press the - or + keys to select the day you want to activate the time. It will light up white, then confirm with the “menu” key. If no day is selected for enabling the timer, the timer program is no longer enabled on the status window.

Next, program the other days or press “ESC” to exit. Repeat this procedure to program the other timers.

### EXAMPLES OF PROGRAMMING

## 12-MENU ENTRIES AND OPERATION

P1			P2		
on	off	day	on	off	day
08:00	12:00	mon	11:00	14:00	mon
Stove on between 08:00 and 14:00					

P1			P2		
on	off	day	on	off	day
08:00	11:00	mon	11:00	14:00	mon
Stove on between 08:00 and 14:00					

P1			P2		
on	off	day	on	off	day
17:00	24:00	mon	00:00	06:00	tue
Stove on between 17:00 on Monday to 06:00 on Tuesday					

### NOTES ON USE OF THE TIMER

- The timer always starts the boiler with the last temperature and ventilation settings (or with the default settings at 20°C and V3 if they have never been altered).
- The start time can be between 00:00 and 23:50
- If the stop time has not yet been saved, the program proposes a start time at +10 minutes.
- If a timer program turns off the stove at 24:00 on one day and another program starts it up at 00:00 on the next day: the stove remains on.
- A program has a start-up and/or shut-down time that overlap the times of another program: if the stove is already on, the start has no effect while OFF turns off the stove.
- When the stove is on and the timer is active, pressing the OFF key turns off the stove; the stove then restarts automatically at the next time of the timer.
- When the stove is off and the timer is active, pressing the ON key turns on the stove; the stove then stops automatically at the next time of the timer.

### SLEEP FUNCTION (main menu)

Sleep may be activated only when the stove is on and allows you to quickly set a time for the product to turn off.

To set the Sleep function, proceed as follows:

- Enter the MENU
- Scroll to the SLEEP item with the <> arrows
- Press Menu
- Set the turn-off time you want using the + and - keys.

The panel shows a default time of 10 minutes after the current time, which can be adjusted with key 6 up to the following day (i.e. the turn-off can be delayed for a maximum of 23 hours and 50 minutes).

If the SLEEP function is active with the TIMER active, the former has priority, therefore the stove will not turn off at the time set in the timer program but at the time set by the sleep function, even if it comes after the time set by the timer.

## 12-MENU ENTRIES AND OPERATION

### OPERATING MODE ADJUSTMENTS MENU

"Adjustments" menu settings determine the operation mode of the stove.

To access the menu, proceed as follows:

- Press the - + keys
- Scroll with the <> arrows and select "Set Amb. T" or "Set Ventilation T" or "Set Flame"
- Press "menu" to enter the option selected.
- Change with the + - keys.
- Press "menu" to confirm and "esc" to exit.

**Set Amb T** - this function is used to set the temperature to be reached in the room in which the stove is installed, from a minimum of 5°C to a maximum of 35°C. When this condition is met, the stove setting is equivalent to the minimum consumption values (the flame and hot air fan speed at minimum), and then returns to the set values when the room temperature drops below the set threshold.

PLEASE NOTE: The point to the right of the room temperature on the control panel display indicates the half degrees (e.g. 23.°C is equivalent to 23.5°C).

**Set Vent** - this function allows you to select the desired speed of the room fan from 1 to 5.

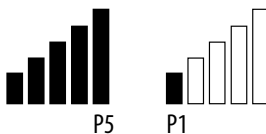
**Set Flame** - this function allows you to set the power of the flame from a minimum of 1 to a maximum of 5. The power levels correspond to a different value of fuel consumption, setting 5 heats the room in less time and setting 1 can keep the room temperature stable for a longer period of time. The set flame is automatically set to a minimum when the set temperature value is reached.

### VIEW WITH STOVE ON

if the bars are all full, the stove is on flame power 5

if only one bar is full, the stove is on flame power 1

if the bars are flashing, automatic cleaning is in progress





## 12-MENU ENTRIES AND OPERATION

### SETTINGS MENU

The SETTINGS menu is to configure use of the stove:

- a. Language.
- b. Cleaning (shown only when stove is off).
- c. Auger loading (shown only when stove is off).
- d. Tones.
- e. External thermostat (activation).
- f. Auto Eco (activation).
- g. Eco Turn-off T (default 10 minutes).
- h. Pellet recipe.
- i. % of smoke rpm.
- j. Component test (shown only when stove is off).
- k. "Chimney sweeper" function (can be enabled only when stove is on to check emissions in field).
- l. Technical menu.

### a - Language

Select the language as follows:

- Press the "menu" key.
- Use the arrow keys to scroll through and select "Settings"
- Press "menu" to confirm.
- Use the arrow keys to scroll through and select "language".
- Press "menu" to confirm.
- Use the + - keys to select the required language (IT/EN/DE/FR/ES/NL/PL/DK/SLO)
- Press "menu" to confirm and "esc" to exit.

### b - Cleaning

Select "Cleaning" (only with stove off) as follows:

- Press the "menu" key.
- Use the arrow keys to scroll through and select "Settings"
- Press "menu" to confirm.
- Use the arrow keys to scroll through and select "Cleaning"
- Press "menu" to confirm.
- Use the + - keys to select "On".
- Press "esc" to exit.

### c - Load auger

To select "Load auger" (only with stove off), proceed as follows:

- Press the "menu" key.
- Use the arrow keys to scroll through and select "Settings"
- Press "menu" to confirm.
- Scroll with the arrows and select "Load auger".
- Press "menu" to confirm.
- With the + key "Enable" the load auger.
- Press "esc" to exit.

## 12-MENU ENTRIES AND OPERATION

### d - Tones

This function is disabled by default. To enable it proceed as follows:

- Press the “menu” key.
- Use the arrow keys to scroll through and select “Settings”
- Press “menu” to confirm.
- Use the arrow keys to scroll through and select “Tones”
- Press “menu” to confirm.
- With the + - keys, select “On/Off”.
- Press “menu” to confirm and “esc” to exit.

### e - External thermostat (see dedicated chapter)

### f - Auto-Eco activation (see dedicated chapter)

To select the Auto-Eco function, proceed as follows:

- Press the “menu” key.
- Use the arrow keys to scroll through and select “Settings”
- Press “menu” to confirm.
- Scroll with the arrows and select “Auto-Eco”.
- Press “menu” to confirm.
- Use the + - keys to select “On”.
- Press “menu” to confirm and “esc” to exit.

### g - Eco stop T (see dedicated chapter)

To select the Eco Stop T function, proceed as follows:

- Press the “menu” key.
- Use the arrow keys to scroll through and select “Settings”
- Press “menu” to confirm.
- Scroll with the arrows and select “T Eco off”.
- Press “menu” to confirm.
- With the + - keys, insert the minutes (from 1 to 30’).
- Press “menu” to confirm and “esc” to exit.

### AUTO ECO MODE (see above paragraph activation and switching off)

For activation of the “Auto Eco” mode and time settings, see paragraphs 8 f and 8 g respectively.

“ECO stop T” can be adjusted to ensure correct operation in the various environments in which the stove can be installed and to avoid constant stopping and starting when the room temperature is subject to sudden change (drafts, poorly insulated rooms, etc.).

The ECO stop procedure is activated automatically when the power recall device is satisfied (room probe +1°C or external thermostat with an open contact), the “ECO stop T” starts to decrease the time (factory default 5 minutes, which can be changed from the “Settings” menu). During this phase, the panel alternates between displaying ON with a small flame and Crono (if active) - Eco active. The minutes counting down to the Eco Stop are shown at the top of the display. The flame moves to P1 and remains there until the set “T Eco Stop” time reaches zero, and if the conditions are still satisfied, turns off the boiler. The ECO stop count is cancelled if one of the devices recalls power. When the boiler begins to turn off, the panel shows: Off - Eco Active - flashing small flame.

When the stove turns off, OFF-ECO appears on the display with the flame symbol off.

The following conditions have to be met simultaneously for the ECO to restart:

- room probe -1°C or external thermostat with a closed contact (for at least 20” in order to prevent false recalls)
- 5 minutes have passed since shut-down.

## 12-MENU ENTRIES AND OPERATION

### h - Pellet Recipe

This function is for adapting the stove to the type of pellet in use. As there are many types of pellet available on the market, operation of the stove can vary considerably according to the quality of the fuel. When the pellets clog up the brazier due to excess loading of fuel or when the flames are high even at low power, or when the flames are low, it is possible to decrease/increase the amount of pellets in the brazier:

Available values:

- 3 = A decrease of 20% on the factory setting.
- 2 = A decrease of 13% on the factory setting.
- 1 = A decrease of 6% on the factory setting.
- 0% No changes.
- 3 = An increase of 10% on the factory setting.
- 2 = An increase of 6% on the factory setting.
- 1 = An increase of 3% on the factory setting.

Edit the recipe as follows:

- Press the "menu" key.
- Use the arrow keys to scroll through and select "Settings"
- Press "menu" to confirm.
- Scroll with the arrows and select "Pellet recipe"
- Press "menu" to confirm.
- Alter the % with the + - keys.
- Press "menu" to confirm and "esc" to exit.

### i - Variation % rpm smoke

In the event the installation presents problems in extracting smoke (lack of draft or even pressure in the duct), it is possible to increase the smoke and ash extraction speed. This change resolves all the potential problems related to pellets clogging in the brazier and deposits forming at the bottom of the brazier itself caused by poor quality fuel or fuel that produces a lot of ash. The extraction speed may be altered between -30% to +50%, with increments of 10 percent at a time. Negative variation can be necessary if the flame is too low.

To alter this parameter, proceed as follows:

- Press the "menu" key.
- Use the arrow keys to scroll through and select "Settings"
- Press "menu" to confirm.
- Scroll with the arrows and select "Fumes rpm Var."
- Press "menu" to confirm.
- Alter the % with the + - keys.
- Press "menu" to confirm and "esc" to exit.

### j - Components test

This can be done only when the stove is off and allows you to select the components to be tested:

- **Spark plug:** it is turned on for a fixed period of 1 minute during which the panel displays the countdown in seconds.
- **Feed screw:** it is powered for a fixed period of 1 minute during which the panel displays the countdown in seconds.
- **Extractor:** it is activated at 2500 rpm for a fixed period of 1 minute during which the panel displays the countdown in seconds.
- **Exchanger:** enables you to conduct the test in V5 for a fixed period of 1 minute during which the panel displays the countdown in seconds.

Enable the "Component test" function (only with stove off) as follows:

- Press the "menu" key.
- Use the arrow keys to scroll through and select "Settings"
- Press "menu" to confirm.

## 12-MENU ENTRIES AND OPERATION

- Use the arrow keys to scroll through and select “Component test”
- Press “menu” to confirm.
- Use the + - keys to select the test to be carried out.
- Press “menu” to confirm and “esc” to exit.

### **k - Chimney sweeper function (for maintenance operators only) -**

This function can only be activated when the stove is on and power is supplied, and it forces operation of the boiler at the parameters P5, with the ventilator (if present) in V5. Any corrections to the loading/smoke ventilation percentage must be read. This state lasts 20 minutes, the countdown is displayed on the panel.

The technician can stop this phase at any moment by quickly pressing the on/off key.

Enable the “Chimney sweeper” function as follows:

- Press the “menu” key.
- Use the arrow keys to scroll through and select “Settings”
- Press “menu” to confirm.
- Use the arrow keys to scroll through and select “Chimney sweeper function”
- Press “menu” to confirm.
- Use the + - keys to select “On” (Off by default)
- Press “menu” to confirm and “esc” to exit.

### **l - Technical menu**

To access the technical menu you must contact the service centre as it requires a password.

Access the “technical menu” as follows:

- Press the “menu” key.
- Use the arrow keys to scroll through and select “Settings”
- Press “menu” to confirm.
- Use the arrow keys to scroll through and select “Technical menu”
- Press “menu” to confirm.
- With the + - keys, select “Product Type”, “Service”, “Counter memories”, “Parameters”.
- Press “menu” to confirm and “esc” to exit.

### **INFO MENU**

- Product type
- Firmware version
- Software info
- Total hours
- No. of start-ups
- Rpm evacuator
- T. smoke
- Heat exchanger voltage
- Feed screw loading
- Flame

## 12-MENU ENTRIES AND OPERATION

### EXTERNAL THERMOSTAT CONNECTION (optional)



*The room thermostat is not included with the stove and must be installed by a qualified technician.*

**ATTENTION!**

*The electrical wires must not come into contact with the hot parts of the stove.*

The temperature of the stove can also be controlled by an external room thermostat. It should be positioned centrally in the room where the stove is installed. It provides a closer match between the heating temperature requested of the stove and the actual room temperature it provides.

Connect the cables coming from the external thermostat to terminal 14 on the board on the stove.

Enable the external thermostat (factory settings OFF) as follows:

- Press the “menu” key.
- Scroll with the arrows to “Settings”.
- Press “menu” to select.
- Now use the arrows to scroll to “External thermostat”.
- Press “menu” to select.
- Press the - + keys.
- Select “On” to activate the external thermostat.
- Press the “menu” key to confirm.
- Press the “esc” key to exit.

Once the external thermostat has been enabled, instead of displaying the detected temperature from the probe on the stove, ON or OFF will appear, depending on whether you have requested heat from the external thermostat or not.

**ON** if the external thermostat contact is closed, **OFF** if the contact is open.

## 13-SAFETY DEVICES

### SAFETY DEVICES

The product is fitted with the following safety devices

#### PRESSURE SWITCH

Monitors pressure in the smoke duct. It is designed to shut down the pellet feed screw in the event of an obstructed flue or significant back-pressure (from the wind).

#### SMOKE TEMPERATURE PROBE

Detects the temperature of the smoke, thereby enabling start-up or stopping the product when the temperature drops below the preset value.

#### CONTACT THERMOSTAT IN THE FUEL TANK

If the temperature exceeds the preset safety level, it immediately shuts down the running of the stove.

#### ELECTRICAL SAFETY

The stove is protected against violent changes in current by a general fuse located in the control panel at the back of the stove. Other fuses that protect the circuit boards are located on the latter.

#### SMOKE FAN

If the fan stops, the electronic board shuts off the supply of pellets in good time, and an alarm message is displayed.

#### GEAR MOTOR

If the reduction motor stops, the stove will continue to run until the flame goes out due to lack of fuel and until a minimum level of cooling is reached.

#### TEMPORARY POWER CUT

When a power cut is less than 10" the stove returns to its previous operating state; if it is more, it executes a cooling/re-ignition cycle.

#### FAILED START-UP

If during ignition no flame develops, the stove will go into alarm condition.



#### **TAMPERING WITH THE SAFETY DEVICES IS PROHIBITED**

*If the product is NOT used as described in this instruction manual, the manufacturer declines all liability for any damage caused to persons and property. The manufacturer furthermore refuses to accept responsibility for damage to persons and property arising from the failure to observe all the rules contained in the manual and in particular:*



*All the necessary measures and/or precautions must be adopted when performing maintenance, cleaning and repairs.*

- *Do not tamper with the safety devices.*
- *Do not remove the safety devices.*
- *Connect the product to an efficient smoke expulsion system.*
- *First, check that the environment where it is to be installed is properly ventilated.*

*Only after having eliminated the cause of the intervention of the safety system is it possible to relight the product and therefore restore the automatic operation of the probe. This manual will help you understand which anomaly has occurred, and explain how to intervene according to the alarm message displayed on the appliance.*

## 14-ALARMS

### ALARM SIGNALLING

When a condition occurs other than the one expected for regular operation of the stove, an alarm is triggered.

The reason for the alarm is given on the control panel. The sound signal is not enabled for alarms A01-A02 in order not to disturb the user when there is an absence of pellets in the night tank.

Panel signalling	type of problem	Solution
<b>A01</b>	The flame does not light	Check the level of pellets in the hopper. Check that the brazier is correctly positioned in its seat and has no build-up or unburned material. Make sure the spark plug warms up. Thoroughly empty and clean the brazier before restarting.
<b>A02</b>	The fire goes out abnormally.	Check the level of pellets in the tank.
<b>A03</b> Thermostat alarm	The temperature of the pellet hopper exceeds the required safety threshold.	Wait until the end of the cooling phase, stop the alarm and re-ignite the stove setting the supply of fuel to minimum (SETTINGS menu - pellet recipe). If the alarm persists, contact the service centre. Check whether the room fan is working correctly.
<b>A04</b>	Smoke overtemperature.	Reduce the load of pellets (SETTINGS menu - Pellet recipe); check cleaning of the brazier.
<b>A05</b> Safety devices alarm	Smoke pressure switch intervention	Check for chimney obstructions / door open
	Fuel loading hatch	Close the hatch. Lower the fuel level in the hopper.
	Open stove door	Close the door
<b>A08</b>	Anomalous operation of smoke fan.	Delete the alarm and switch the stove on again. If the alarm persists, contact the service centre.
<b>A09</b>	Fault with the smoke sensor.	Delete the alarm and switch the stove on again. If the alarm persists, contact the service centre.
<b>Service</b>	Routine maintenance warning (does not seize)	When this blinking message appears upon start-up, it means it is time to carry out scheduled maintenance. Call the assistance centre.

### ALARM RESET

To reset the alarm, press and hold key 1 (ESC) for a few seconds. The stove checks whether the cause of the alarm is ongoing.

In the first case, the alarm continues to be displayed, in the second case it turns OFF.

If the alarm persists, contact a service centre.

## 13-SAFETY DEVICES

### **NORMAL SHUTDOWN (on the panel: OFF with flashing flame symbol)**

When the shutdown key is pressed, or when there is an alarm signal, the stove enters the thermal extinguishing phase which involves automatic execution of the following phases.

- Stop pellet loading
- The room fan maintains the set speed until reaching the switch-off temperature
- The smoke extractor fan is activated at maximum speed and remains on for a fixed period of 10 minutes, at the end of which if the smoke T has dropped below the stop threshold, the fan stops, otherwise it will continue to operate at minimum speed until the temperature drops below the threshold.
- If the stove has been shutdown regularly but, due to thermal inertia, the smoke temperature exceeds the threshold again, the shutdown phase will be repeated at minimum speed until the temperature drops.

### **BLACKOUT WITH STOVE ON**

In the event of a blackout, the stove does the following:

- Power failure of less than 10'': continues the work in progress;
- After a loss of power of more than 10'' which occurred when the stove was on, or during ignition, you can restore the stove to its previous operating condition when power returns as follows:
  1. Cool the boiler by activating the smoke extractor at minimum speed for 10' then proceed to the next step;
  2. Restore the stove to the operating condition prior to the blackout.

During phase 1, the panel shows ON BLACK OUT.

During phase 2, the panel shows Start-up.

If during phase 1 the stove receives manual user commands from the control panel, it stops the blackout restoration sequence and begins the start-up or shutdown commanded by the user.

### **BLACKOUT OF MORE THAN 10'' DURING EXTINCTION OF STOVE**

If the stove experiences a loss of power GREATER THAN 10'' while it is shutting down, when power is restored to the stove, it will automatically turn on in shutdown mode, even if the smoke temperature has fallen below 45°C in the meantime. This phase can be skipped by pressing key 1 (esc) (skips to start-up) and pressing it again (recognises that the stove is off).

### **BLACKOUT OF MORE THAN 10'' WITH THE STOVE OFF FROM ECOSTOP**

Once power has been restored, a 5-minute timer is set as though the stove were in switch-off mode; should there be a request for heat in these 5 minutes, the stove will not start.

### **SAFETY DEVICES ALARM A05**

The safety devices alarm includes the intervention of the smoke pressure switch, of the fuel loading hatch and of the open stove door. The alarm will be triggered after 30 seconds, after which the stove will stop working (e.g. after 30 seconds with the pellet loading hatch open, alarm A05 will be triggered).



## 13-SAFETY DEVICES

In the event that alarm A05 is triggered often, please note that:

<b>A05</b>  <b>Safety devices alarm</b>	Smoke pressure switch intervention	Check for chimney obstructions / door open
	Fuel loading hatch	Close the hatch. Lower the fuel level in the hopper.
	Open stove door	Close the door

you must check some points to verify the cause of the problem and possibly act on some adjustments and/or safety devices to restore the correct operation of the product.

However please note that all the adjustments and alterations affecting the operational safety devices, must only be performed if THE PRODUCT IS INSTALLED IN COMPLIANCE WITH THE STANDARDS AND LAWS IN FORCE AND IF IT IS SERVICED PROPERLY BY AUTHORISED AND SPECIALISED PERSONNEL. Alterations performed randomly, to ensure operation of the product even in the non-compliant conditions, can cause serious damage to property and injuries to people.



### **Attention!**

***The adjustments must only be carried out by authorised and qualified personnel under their responsibility and by checking the conformity of the installation beforehand. The manufacturer declines all liability for damage to property or injuries to people in the event of altering the safety devices.***

***All liability for improper use of the product is entirely borne by the user and relieves the Manufacturer from any civil and criminal liability.***

Series of stoves equipped with a pressure switch installed on the hopper with the sampling point positioned on the bottom, to the right of the gear motor. This system protects the whole system ensuring tightness of the stove throughout its duration.

It is important to understand that the pressure switch can intervene with each significant drop in negative pressure and may be due to:

- The flue clogging.
- The presence of a foreign body in the flue (birds, nests, clogged grates, etc.).
- Wind coming through the flue because it is unprotected or the installation was wall-mounted or required no flue.
- Cold air draught down the flue.
- A damaged pressure switch.
- Blocked membrane inside the pressure switch because soot or pellet dust filtrated.
- The pellet hopper is open or ajar for more than 60 seconds (60 seconds is the estimated time to reload the hopper).
- Pellet trapped between the hopper cover and the hopper, which prevents the gasket to seal.
- Broken/worn hopper cover gasket.
- The gasket between the feed screw and the boiler is damaged or positioned incorrectly.
- Fire door is open or the gasket is worn.
- Clogged lateral smoke exchangers.
- Inspection caps with gaskets installed incorrectly after maintenance.
- Feed screw clogged by a compressed pellet at the top.
- The installation is compliant and the flue/smoke fitting does not generate obvious obstructions which can stop the release of smoke, such as: long horizontal sections (over 3 metres), uninsulated smoke ducts, "wall-mounted" smoke exhaust without proper terminals (installation regulated and permitted in France only [ZONE 3])
- Internal air extraction or recirculation systems (e.g. VMC systems) that generate internal negative pressure exceeding those required by law (not exceeding 4 Pa)
- Installed without combustion air ducting, it is crucial to check that there is an efficient air inlet dedicated to the stove, according to the specifications referred to in chapter 2 of this manual.

The electronic board has also been equipped with an automatic device with a timer and contactors which increases the RPM of the smoke extractor so as to restore the negative pressure inside the hopper and therefore the pressure switch, if the cover is opened for top-up or if there is an immediate or occasional pressure drop such as gusts of wind outside. If the pressure drop lasts for more than 60 seconds, the product is set in an alarm statue (A05 or A18)

## 13-SAFETY DEVICES

Remembering that the draught recommended for the products to work properly is 10 Pa at maximum capacity and 5 Pa at minimum (according to the technical data sheet found in the user and maintenance manual), adjustments may be required in worse draught conditions (also due to the position of the flue in areas that are particularly subject to adverse weather such as prevailing winds, snow, northern exposure, etc.) so as to always guarantee the required negative pressure inside the hopper.

To compensate for the lack of internal negative pressure simply adjust the speed (RPM) of the smoke extractor so as to guarantee the minimum tabular values.

If the negative internal pressure values are noted to be lower than those indicated, this can also be due to the internal gaskets not being sealed properly or by the product being worn over time.

### OPERATING INSTRUCTIONS ON NEGATIVE PRESSURE INSPECTIONS AND POSSIBLE VARIATIONS OF THE RPM

Connect a pressure gauge to the pressure outlet on the hopper:

- In the case of products with a specific pressure outlet in the hopper, access the sampling point and connect the pressure gauge
- In the case of products without a dedicated pressure outlet, disconnect the tube of the pressure switch from the pressure outlet on the hopper, add a "T" on the tube to intercept the circuit, connecting the gauge and reconnect the tube to the pressure outlet on the hopper.

Possible adjustments of the combustion and consequently of the negative pressure inside the hopper can be implemented in two ways:

A) Change the RPM value of the smoke extractor in the SETTINGS MENU

- The available values are from -3 to +3 which, as a percentage, correspond to:
- RPM: -10% +10% in Active System products
- RPM: -30% +50% in NON Active System products
- The percentage variation affects all the power values (1 to 5) proportionally and as a percentage. The percentage variation does not affect intermediate operating stages such as SWITCH ON, FIRE ON or SWITCH OFF
- As the RPM increase, suction also increases and consequently the internal negative pressure, thereby compensating the phenomena that trigger the alarm.

B) Adjusting the RPM of the gear motor manually in the TECHNICAL PARAMETERS MENU

- The pressure switch has a calibration of 10/20 Pa which means that it disarms when the negative pressure inside the hopper drops below 10 Pa and requires more than 20 Pa negative pressure inside the hopper for it to rearm
- The negative pressure value at the minimum power must always be higher than 10 Pa while also maintaining a reasonable margin that can be used over time due to the gaskets being worn or something similar (at least 12/13 Pa)
- The negative pressure at maximum power must always be above 20 so that the pressure switch can rearm when the pressure switch rearming automated device is activated. The pressure switch rearming procedure (such as after opening the cover to top-up the hopper), requires the electronics to push the RPM of the smoke extraction fan up to POWER 5 (P5) for a few moments. At P5, therefore, the negative pressure inside the hopper must always be > 20 Pa (recommended 22/23 Pa to preserve the margin).
- **N.B. = The TECHNICAL PARAMETERS menus are password-protected to prevent the user from accessing them inadvertently**

**Attention!** The factory setting on the product is designed to obtain the certified technical data. In the event of data discrepancy (as for the pellet recipe), the settings may be modified as set out above.

**The adjustments must only be carried out by authorised and qualified personnel under their responsibility and by checking the conformity of the installation beforehand.**



## 13-SAFETY DEVICES

### NEGATIVE PRESSURE INSIDE THE HOPPER WITH FACTORY-SET PARAMETERS AND A DRAUGHT OF 5 Pa (MINIMUM RECOMMENDED)

POWER	P1	P2	P3	P4	P5	VALUES
6 kW	13.7/14.2 Pa	15.1/15.6 Pa	17.1/17.5 Pa	19.1/19.5 Pa	22.0/22.2 Pa	Draught
	95°C	110°C	125°C	141°C	165°C	Smoke temperature
8 kW	13.8/14.3 Pa	15.6/16.1 Pa	17.8/18.0 Pa	21.7/22.2 Pa	26.1/26.6 Pa	Draught
	104°C	119°C	145°C	148°C	184°C	Smoke temperature
10 kW	15.9/16.3 Pa	20.4/20.9 Pa	25.8/26.3 Pa	31.8/32.3 Pa	36.5/37.0 Pa	Draught
	108°C	°C	150°C	°C	230°C	Smoke temperature
12 kW	16.5/17.3 Pa	20.4/20.9 Pa	25.8/26.3 Pa	31.8/32.3 Pa	36.5/37.1 Pa	Draught
	118°C	127°C	155°C	172°C	195°C	Smoke temperature
14 kW	17.6/18.0 Pa	19.8/20.4 Pa	23.1/23.7 Pa	28.9/29.6 Pa	37.8/38.2 Pa	Draught
	118°C	131°C	161°C	187°C	210°C	Smoke temperature

PLEASE NOTE The indicated negative pressure readings may differ by  $\pm 1$ Pa based on flue gas temperature. Likewise, flue gas temperature may differ by  $\pm 10$ °C based on fuel quality or appliance cleanliness.

#### Changing the smoke fan revolutions

In the event the installation presents problems in extracting smoke (lack of draft or even pressure in the duct), it is possible to increase the smoke and ash extraction speed. This change resolves all the potential problems related to pellets clogging in the brazier and deposits forming at the bottom of the brazier itself caused by poor quality fuel or fuel that produces a lot of ash. The extraction speed may be altered between -30% to +50%, with increments of 10 percent at a time. Negative variation can be necessary if the flame is too low.

To alter this parameter, proceed as follows:

- Press the “menu” key.
- Use the arrow keys to scroll through and select “Settings”
- Press “menu” to confirm.
- Scroll with the arrows and select “Fumes rpm Var.”
- Press “menu” to confirm.
- Alter the % with the + - keys.
- Press “menu” to confirm and “esc” to exit.

## 15-RECOMMENDATIONS FOR SAFE USE



**ONLY CORRECT INSTALLATION AND APPROPRIATE MAINTENANCE AND CLEANING OF THE APPLIANCE CAN GUARANTEE CORRECT OPERATION AND SAFE USE OF THE PRODUCT.**

We would like to inform you that we are aware of cases of malfunctioning of domestic pellet-fuelled heating products, mainly due to incorrect installation and use, as well as inadequate maintenance.

We would like to assure you that all of our products are extremely safe and certified according to European standards of reference. The ignition system has been tested with the utmost attention to enhance ignition efficiency and to prevent any type of problem, even in the worst operating conditions. In any case, like for any other pellet-fuelled product, our appliances must be installed correctly and undergo regular periodical cleaning and maintenance to guarantee safe operation. Our studies show us that malfunctioning is mainly due to the combination of part or all of the following factors:

- Brazier holes obstructed or brazier deformed, due to lack of maintenance and conditions which can cause delayed ignitions, generating an anomalous production of unburned gases.
- Insufficient combustion air due to a reduced or clogged air inlet duct.
- Use of smoke ducts nonconforming to regulatory installation requirements, failing to guarantee an adequate draught.
- Partially clogged chimney, due to lack of maintenance, reducing the draught and making ignition difficult.
- End chimney pot nonconforming to the indications of the instruction manual, and therefore not suitable to prevent potential inverse draught.
- This factor is crucial when the product is installed in especially windy areas, such as coastal regions.

The combination of one or more of these factors could generate important malfunctioning conditions.

To keep this from occurring, it is fundamental to guarantee that the product is installed in compliance with standards in force.

Furthermore it is of the utmost importance to respect the following simple rules:

- Every time the brazier is removed for cleaning, it must always be put back properly in the work position before using the product, completely removing any residual filth left on the support base.
- Pellets must never be loaded in the brazier manually, either before ignition or during operation.
- The accumulation of unburned pellets ensuing a failed ignition must be removed before repeating ignition. Also check that they are fed correctly and that the combustion air inlet/smoke outlet are regular.
- If ignition fails repeatedly, immediately suspend use of the product and contact a qualified technician to check its operation.

Compliance with these indications is absolutely sufficient to guarantee proper operation and to avoid any type of problems with the product.

If the above-mentioned precautions are not taken, and during ignition the brazier is overloaded with pellets thus generating anomalous smoke in the combustion chamber, carefully follow the indications below:

- Do not disconnect electrical power to the product for any reason whatsoever: this would stop the smoke extractor, releasing smoke into the environment.
- Take the precaution of opening the windows to ventilate the installation room from any smoke in the environment (the chimney might not work properly).
- Do not open the fire door: this would compromise regular operation of the smoke extraction system to the chimney.
- Just switch the stove off by acting on the on-off button on the control panel (not the rear power supply socket button!) and move away until smoke has been completely extracted.
- Before attempting re-ignition, clean the brazier and its air passage holes completely of all deposits and unburned pellets. Put the brazier back in place, removing any residue from its support base. If ignition fails repeatedly, immediately suspend use of the product and contact a qualified technician to check its operation and the chimney.

## 16-CLEANING



EXAMPLE OF A CLEAN BRAZIER



EXAMPLE OF A DIRTY BRAZIER

Only by properly servicing and cleaning the product is it possible to ensure its safety and correct operation.



### CAUTION!

**All the cleaning operations of all parts must be performed with the product completely cold and the plug disconnected.**

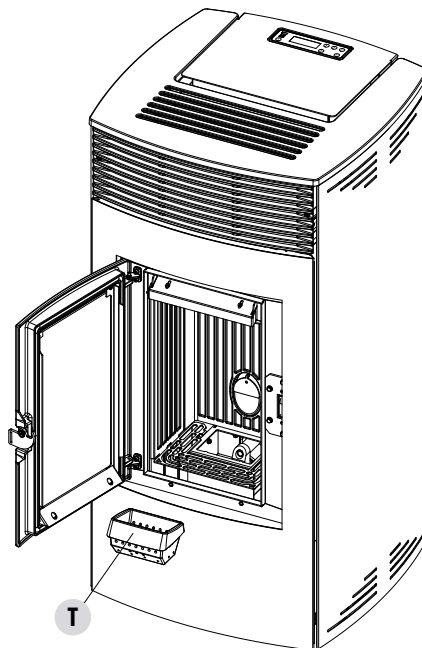
**Disconnect the product from the 230V power supply before performing any maintenance operation.**

The product requires little maintenance if used with certified good quality pellets.

## DAILY OR WEEKLY CLEANING PERFORMED BY THE USER

### Brazier cleaning

Before ignition, always clean the brazier "T" and remove any ash or incrustation from it that might obstruct the air flow holes, paying attention to hot ash. In the case of ignition failure, or if fuel in the hopper runs out, unburned pellets may accumulate in the brazier. Always empty the residue in the brazier before each start-up. **Only if ash is completely cold** may a vacuum cleaner be used to remove it. In this case, use a suitable vacuum cleaner to remove small sized particles.



## 16-CLEANING

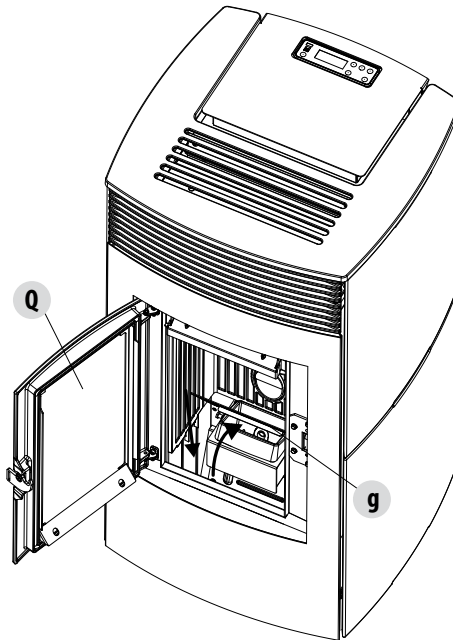


**REMEMBER THAT ONLY A CORRECTLY POSITIONED AND CLEAN BRAZIER CAN GUARANTEE SAFE IGNITION AND OPTIMAL OPERATION OF YOUR PELLET PRODUCT. IN CASE OF FAILED IGNITION AND AFTER ANY OTHER LOCK STATE OF THE PRODUCT, IT IS ESSENTIAL TO EMPTY THE BRAZIER BEFORE EVERY RESTART**

For the brazier to be cleaned properly, remove it from its housing completely and thoroughly clean all the holes and the grate on the bottom. If good quality pellets are used, you will normally only need to use a brush to restore the optimal operating conditions of the component.

### **Cleaning the ash box**

To clean the ash box, lift the grid "g" simply by turning it until it rests against the stove firebox. Wipe away any residual ash before lowering the grid "g". The quality of the pellets used and user experience will determine the cleaning frequency required. **However, it is recommended not to exceed 2 or 3 days.**



**Attention! When cleaning is completed, remember to put the brazier in and lower grate "g".**

## 16-CLEANING

### CLEANING THE GLASS

It is recommended to clean the ceramic glass with a dry brush, or if it is very dirty, spray a little specific detergent and clean with a cloth.

#### **ATTENTION!**



*Do not use abrasive products and do not spray the glass cleaning product on the painted parts and on the door gaskets (ceramic fibre cord).*

### CLEANING THE AIR FILTER

A wire mesh air filter is found at the back of the stove (for the models fitted with it), whose purpose is to prevent dirt entering the motor body and the internal sensor.

It is recommended to check that the filter is clean every 15/20 days. If needed remove fluff or the material that has deposited on it. Inspection and cleaning are required more frequently if there are pets in the house.

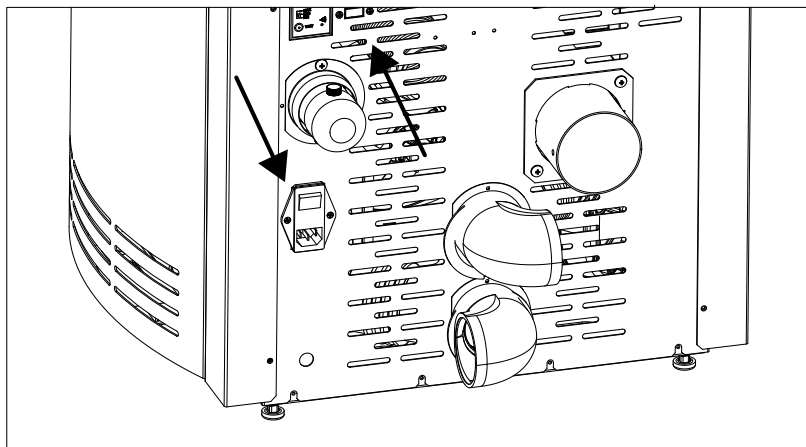
Simply remove the filter to clean. To clean it use a brush or a damp cloth or compressed air. Set it back in place by simply pressing it (interlocks).

*The filter is made of metallic mesh and is soft and flexible to the touch therefore, when cleaning, be careful not to crush or damage it. In the event of breakage it must be replaced.*



#### **ATTENTION!**

*Never let the stove work without the air filter fitted. MCZ cannot be held liable for any damage caused to the internal components if this requirement is not complied with.*



## 16-CLEANING

### PERIODIC CLEANING PERFORMED BY A QUALIFIED TECHNICIAN

#### CLEANING THE HEAT EXCHANGER

Half-way through the winter season, **but especially at the end**, the compartment through which the exhaust smoke passes will need to be cleaned.

This cleaning process is mandatory in order to facilitate the general removal of all combustion residue, before it becomes very difficult to remove it due to moisture compacting it over time.

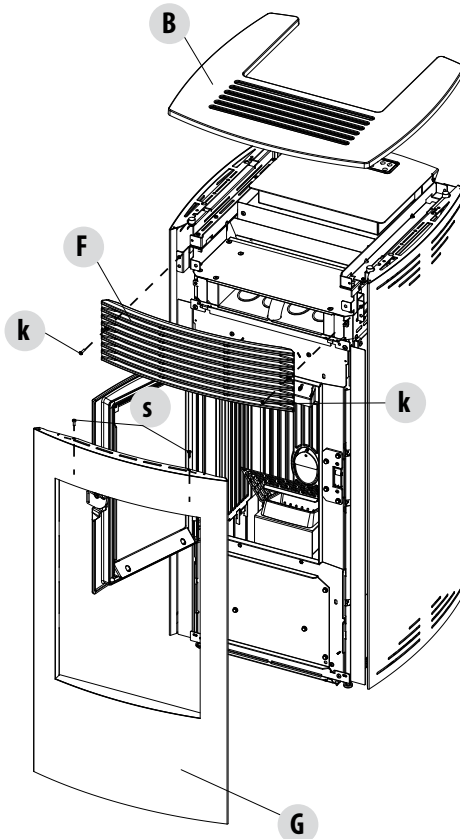


#### **ATTENTION:**

*It is obligatory to have an authorised and skilled technician perform the periodic end-of-season cleaning in order to replace any worn gaskets.*

#### CLEANING THE LOWER COMPARTMENT

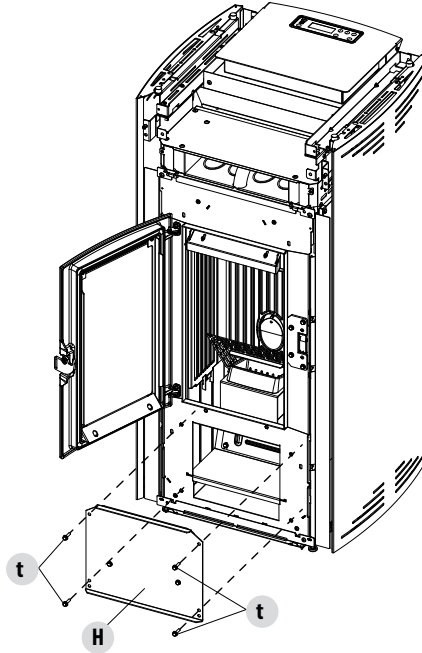
To clean the bottom ash compartment it is necessary to remove top "B", front grate "F" and decorative door "G" as described in part 1 of this manual.



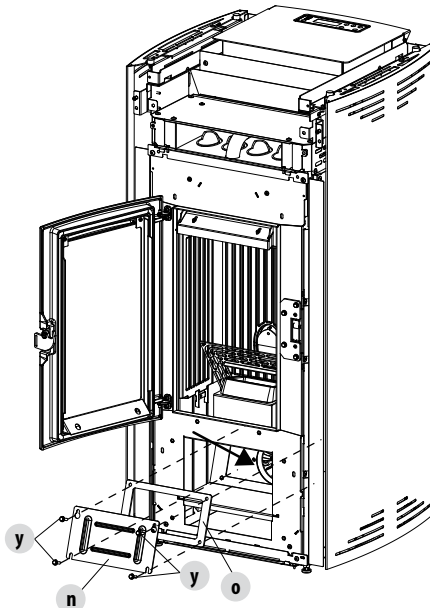


## 16-CLEANING

Now take out the four "t" screws and remove cap "H".



Loosen the four screws "y"; remove the plate "n" and the gasket "o". Use the nozzle of a vacuum cleaner to remove any ash and soot that may have built up in the lower exchanger (smoke extractor) indicated by the arrow. Before putting the cap "n" back, it is recommended to change the gasket "o".

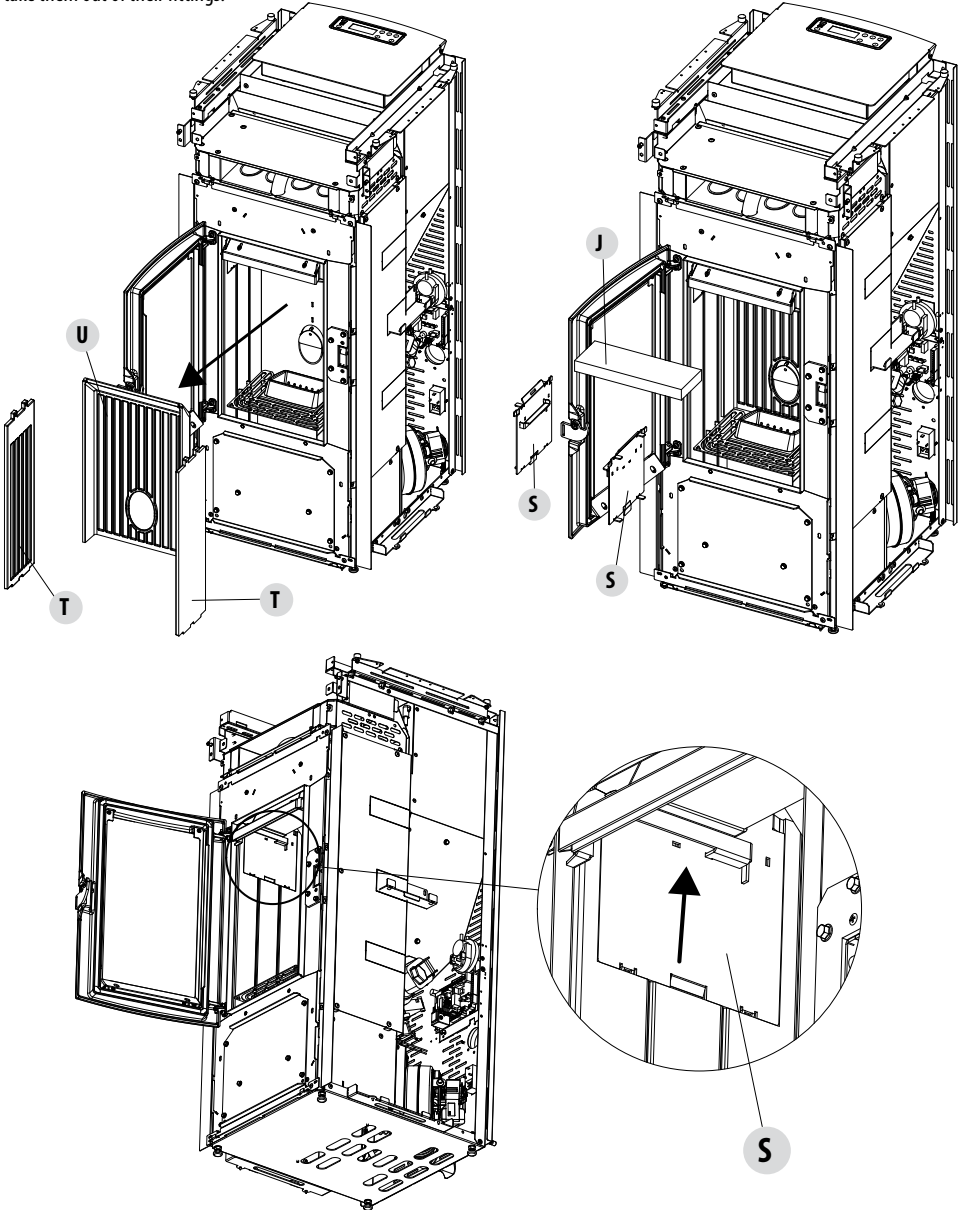


## 16-CLEANING

### CLEANING THE EXCHANGER

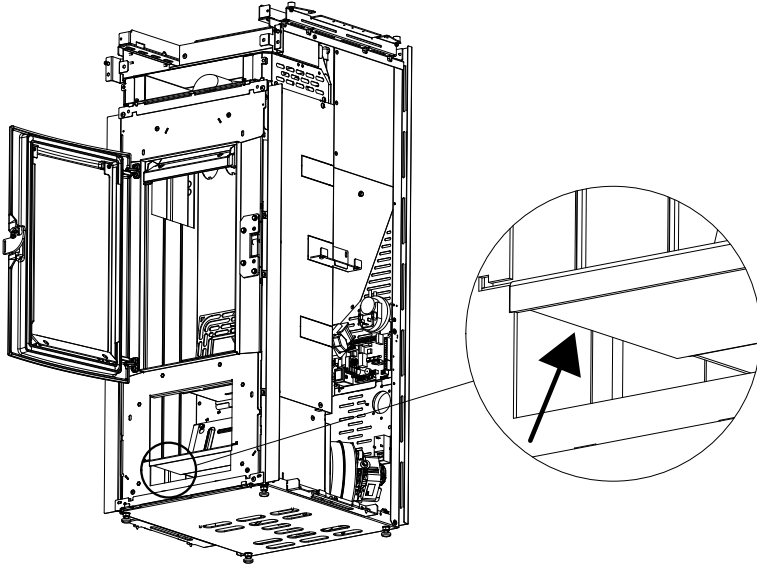
### CLEANING THE UPPER COMPARTMENT

Clean the upper exchanger when the stove is cold and without the cladding in question. The first step is to take out the internal cast iron. Open the firebox door, lift the "T" cast irons slightly and tilt them towards you to take them out of their place and remove them. Then pull out the "U" cast iron rear panel, take down the top "J" calorite and the two side "S" caps. To remove the "S" caps, they need to be lifted to take them out of their fittings.

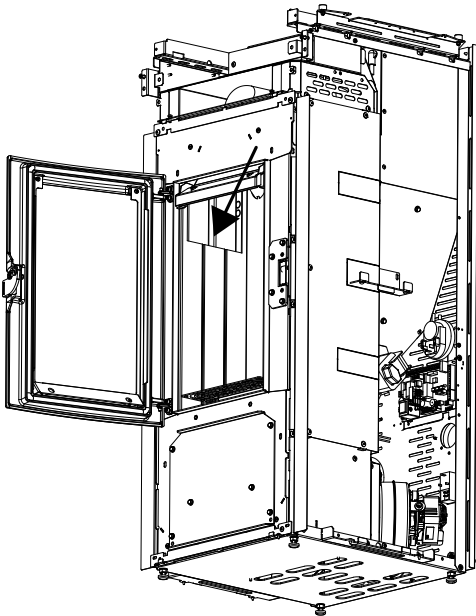


## 16-CLEANING

After removing the cap to clean the lower compartment “H” (see previous paragraph), use a stiff rod or a bottle brush to scrape the walls of the firebox (see arrow) to make the ash fall into the lower compartment.

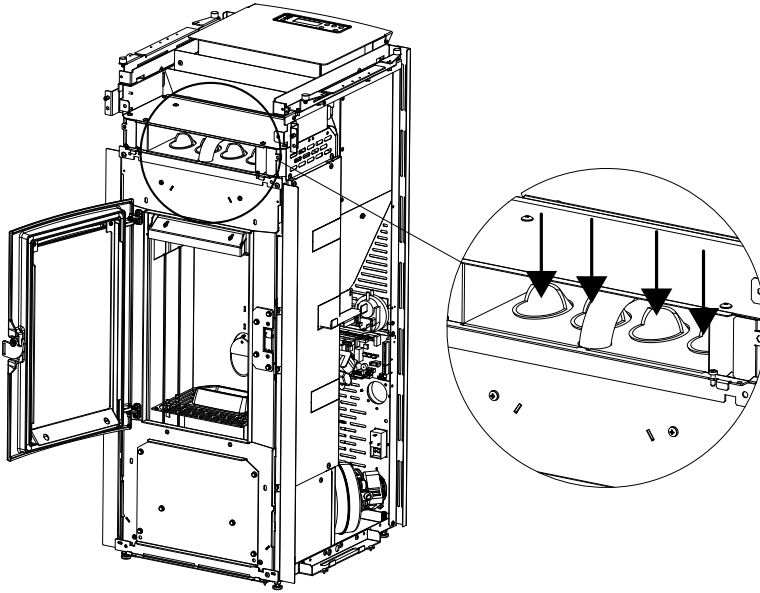


Use a stiff rod or a bottle brush to scrape the walls of the firebox (see arrow - respectively to the right and to the left of the firebox) where the recently removed “S” plates were, to make the ash fall into the lower compartment.



## 16-CLEANING

Use a vacuum cleaner nozzle to vacuum up any remaining ash and dust on the exchanger (see arrow). Then thoroughly clean the lower exchanger, replace any gaskets if needed, and reassemble.



## 16-CLEANING

### CLEANING THE SMOKE EXPULSION SYSTEM AND GENERAL CHECKS

Clean the smoke outlet system, especially around the “T” joints, elbows and any horizontal sections of the smoke duct. For information on periodically cleaning the flue, contact a skilled chimney sweep.

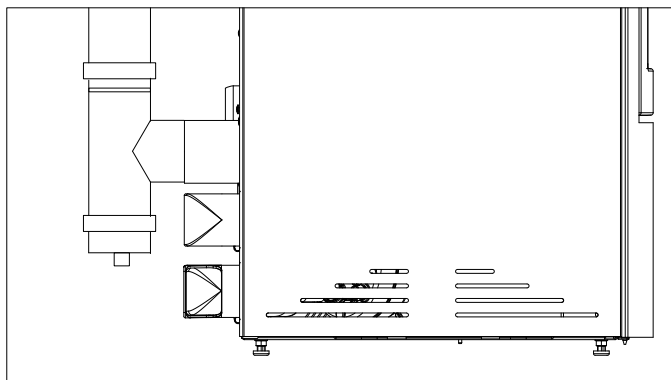
Check the seal of the ceramic fibre gaskets on the door of the stove. If necessary, order new replacement gaskets from the retailer or contact an authorised service centre to carry out the operation.

#### ATTENTION:



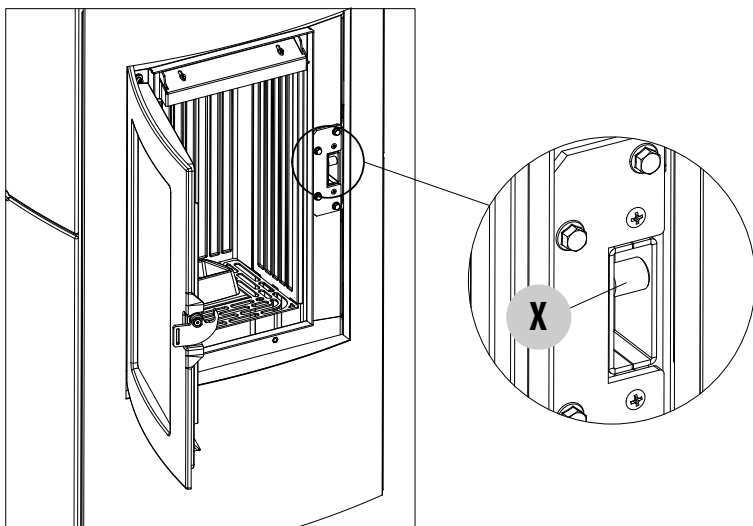
*The frequency with which the smoke outlet system is cleaned depends on the use of the boiler and the type of installation.*

*We recommend relying on an authorised service centre for end-of-season cleaning and maintenance, as they will carry out all of the previously mentioned work and inspect the stove components.*



### PERIODICAL CHECK OF THE DOOR CLOSURE

Make sure the door closure ensures a correct sealing action (with the “paper sheet” test) and that when the door is closed, the closing block (X in the figure) does not protrude from the sheet metal to which it is secured. For some products it will be necessary to disassemble the cladding to be able to assess the anomalous protrusion of the block when the door is closed.



## 16-CLEANING

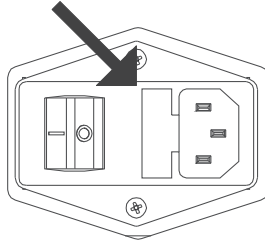
### SHUTDOWN (end of season)

At the end of each season, before switching the product off, it is recommended to remove all the pellets from the hopper with a vacuum cleaner with a long pipe.

**When not in use the appliance must be disconnected from the mains power supply. It is recommended to remove the power cable for additional safety, especially in the presence of children.**

The service fuse may have to be replaced if the control panel display does not switch on when the product is switched on again by pressing the main switch on its side.

There is a fusebox on the side of the product, near the power socket. Open the fusebox cover with a screwdriver and replace the fuses if necessary (3.15 A delayed) - seek assistance from an authorised and qualified technician.



### CHECKING THE INTERNAL COMPONENTS



#### ATTENTION!

*The internal electromechanical components must only be checked by qualified personnel whose technical expertise includes combustion and electricity.*

We recommend that an annual maintenance service is carried out (with a scheduled service contract). This service is essentially a visual and functional inspection of the internal components. The following is a summary of the checks and/or maintenance that are essential for the correct operation of the product.

	PARTS/INTERVAL	1 DAY	2-3 DAYS	7 DAYS	15/20 DAYS	1 YEAR
UNDER THE USER'S RESPONSIBILITY	Brazier	•				
	Ash compartment		•			
	Ash pan*			•		
	Glass		•			
	Air filter (for applicable models)				•	
BY THE QUALIFIED TECHNICIAN	Upper exchanger					•
	Lower exchanger					•
	Smoke duct					•
	Gaskets					•
	Door closure operation					•

\* Emptying of the ash pan depends on various factors (pellet type, stove power, stove use, type of installation...) the exact emptying time will be suggested by experience.

## 17-FAULTS/CAUSES/SOLUTIONS



**ATTENTION:**

*All repairs must only be carried out by a specialised technician, with the product switched off and the plug disconnected.*

ANOMALY	POSSIBLE CAUSES	SOLUTIONS
<b>The pellets are not fed into the combustion chamber.</b>	The pellet hopper is empty	Fill the hopper with pellets.
	Sawdust has blocked the feed screw	Empty the hopper and remove the sawdust from the feed screw by hand.
	Faulty gear motor	<i>Replace the gear motor.</i>
	Faulty electronic board	<i>Replace the circuit board.</i>
<b>The fire goes out or the boiler stops automatically.</b>	The pellet hopper is empty	Fill the hopper with pellets.
	The pellets are not fed	See the previous anomaly.
	The pellet temperature safety probe has been triggered	Let the product cool down, restore the thermostat until the lockout is off and switch the product back on. If the problem persists, contact Technical Assistance.
	The door is not closed properly or the gaskets are worn	<i>Close the door and replace the gaskets with original ones.</i>
	Unsuitable pellets	Change the type of pellets with those recommended by the manufacturer.
	Low pellet supply	<i>Check the flow of fuel following the instructions in the manual.</i>
	The combustion chamber is dirty	Clean the combustion chamber, following the instructions in the manual.
	Clogged outlet	Clean the smoke duct.
	Faulty smoke extraction motor	<i>Check the motor and replace it, if necessary.</i>
	Pressure switch broken or defective.	<i>Replace the pressure switch.</i>
<b>The product works for a few minutes and then switches off.</b>	Start-up phase is not completed	Repeat start-up.
	Temporary power cut	Wait for the automatic restart.
	Clogged smoke duct	Clean smoke duct.
	Faulty or malfunctioning temperature probes	<i>Check and replace the probes.</i>
	Faulty spark plug	<i>Check the spark plug and replace it, if necessary.</i>

## 17-FAULTS/CAUSES/SOLUTIONS

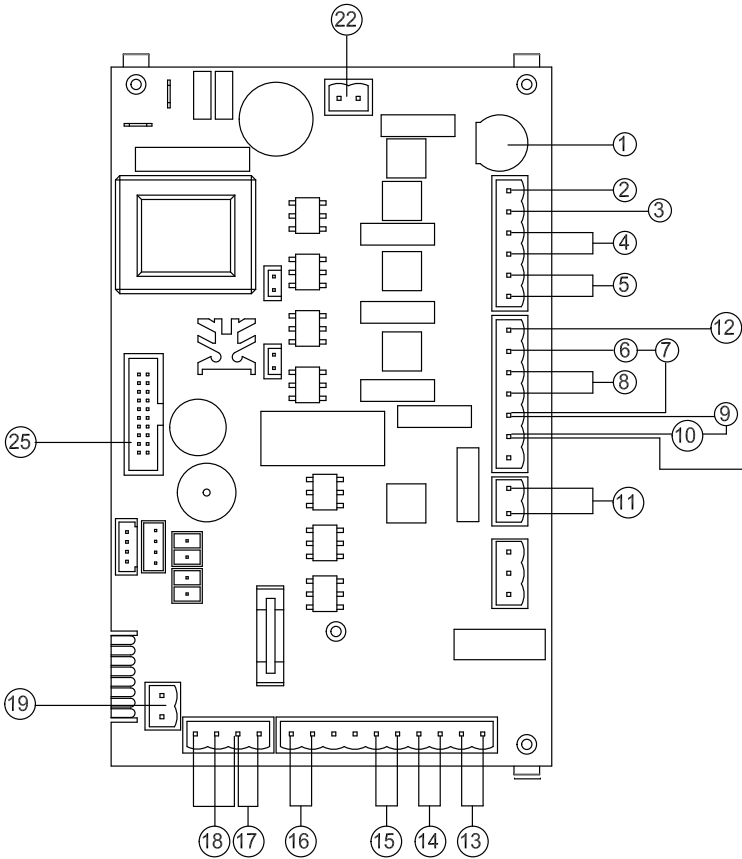
ANOMALY	POSSIBLE CAUSES	SOLUTIONS
<b>Pellets accumulate in the brazier, the glass of the door gets dirty and the flame is weak.</b>	Insufficient combustion air.	Clean the brazier and check that all the holes are clear. Perform a general cleaning of the combustion chamber and the smoke duct. Check that the entry of air is not obstructed.
	Damp or unsuitable pellets.	Change the type of pellets.
	Faulty smoke extractor motor.	<i>Check the motor and replace it, if necessary.</i>
<b>The smoke extractor motor does not work.</b>	No electrical supply to the stove.	Check the mains voltage and the protection fuse.
	The motor is faulty.	<i>Check the motor and capacitor and replace them, if necessary.</i>
	Defective motherboard.	<i>Replace the electronic board.</i>
	The control panel is broken.	<i>Replace the control panel.</i>
<b>The convection air fan never stops.</b>	Faulty or malfunctioning temperature control probe.	<i>Check the probe and replace it, if necessary.</i>
<b>In the automatic position, the stove always runs at full power.</b>	Thermostat is set to minimum.	Reset the temperature of the thermostat.
	The room thermostat is in the maximum position.	Reset the temperature of the thermostat.
	Malfunctioning temperature probe.	<i>Check the probe and replace it if necessary.</i>
	Faulty or malfunctioning control panel.	<i>Check the panel and replace it, if necessary.</i>
<b>The product does not start.</b>	No power supply.	Check that the plug is inserted and the main switch is in the "I" position.
	Pellet sensor has seized up.	Check the recipe parameters.
	Blown fuse.	Replace the fuse.
	Pressure switch broken (lockout indicated).	Insufficient pressure of water in stove.
	Clogged smoke outlet or smoke duct.	Clean the smoke outlet and/or the smoke duct.
<b>Noisy air fan even though it is set to minimum</b>	High set flame causes ventilation increase	Lower set flame from Adjustments menu



## 17-FAULTS/CAUSES/SOLUTIONS

ANOMALY	POSSIBLE CAUSES	SOLUTIONS
<b>No increase in temperature with stove in operation.</b>	Incorrect combustion adjustment.	Check recipe.
	Set flame 1 setting (level too low)	Increase power from the settings menu.
	Poor pellet quality.	Using pellets from the producer.

# 18-COMFORT AIR STOVE WITH THREE FANS CIRCUIT BOARD



LIVE ELECTRICAL CABLES

DISCONNECT THE POWER SUPPLY CABLE 230V BEFORE CARRYING OUT ANY OPERATIONS ON THE ELECTRICAL BOARDS

## COMFORT AIR STOVE WITH 3 FANS WIRING KEY

- |                             |   |
|-----------------------------|---|
| 1. FUSE                     | 14. EXTERNAL THERMOSTAT CONNECTION (TERMINAL) |
| 2. BOARD PHASE              | 15. ROOM TEMPERATURE PROBE                    |
| 3. BOARD NEUTRAL            | 16. -----                                     |
| 4. SMOKE EXTRACTOR FAN      | 17. -----                                     |
| 5. FRONT ROOM FAN (FAN 1)   | 18. SMOKE EXTRACTOR FAN REVOLUTION CONTROL    |
| 6. PELLET SAFETY THERMOSTAT | 19. -----                                     |
| 7. -----                    | 20. -----                                     |
| 8. SPARK PLUG               | 21. -----                                     |
| 9. -----                    | 22. REAR ROOM FAN (FAN 3)                     |
| 10. AIR PRESSURE SWITCH     | 23. -----                                     |
| 11. REAR ROOM FAN (FAN 2)   | 24. -----                                     |
| 12. AUGER                   | 25. CONTROL PANEL                             |
| 13. SMOKE SENSOR            |   |

**PLEASE NOTE** The electrical wiring of individual components is fitted with pre-wired connectors of different sizes.





Via La Croce n°8  
33074 Vigonovo di Fontanafredda (PN) – ITALY  
Téléphone : +39 0434/997200  
Internet : [www.red365.it](http://www.red365.it)  
e-mail : [info@red365.it](mailto:info@red365.it)