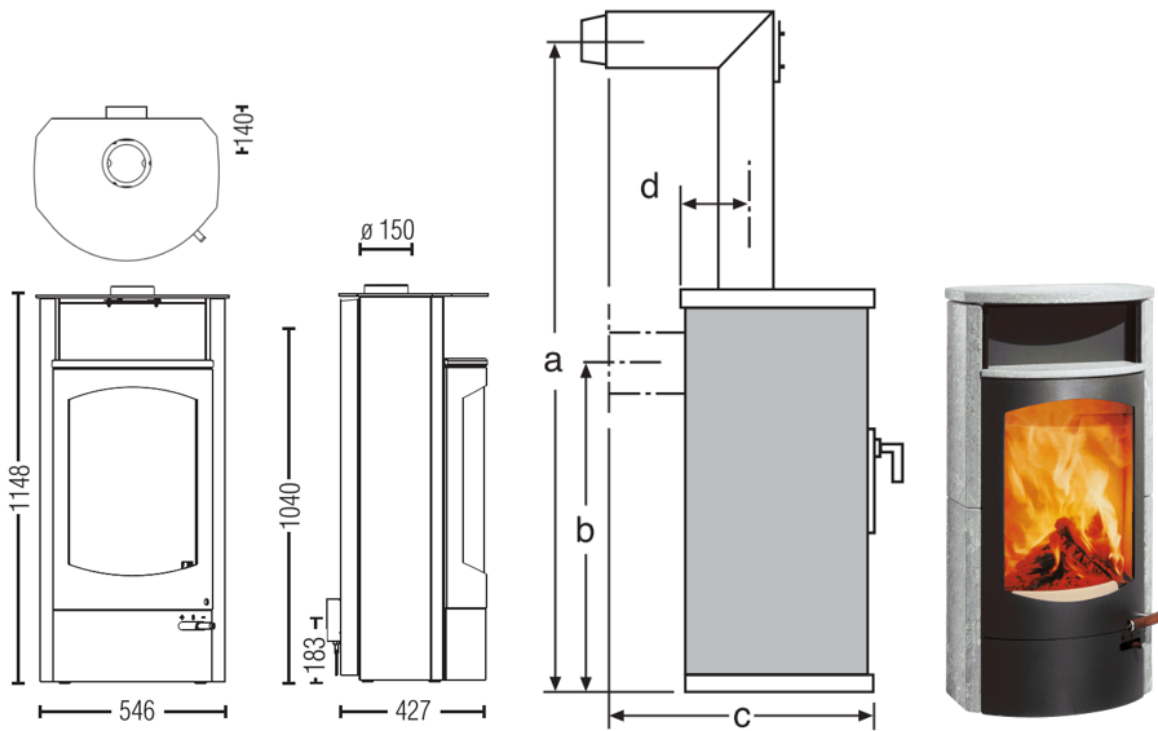


KOKO 2.0



www.austroflamm.com



DIMENSIONS AND WEIGHTS

Steel casing (STM) h x w x d [mm]	1148 x 546 x 427
Ceramic casing (KMG) h x w x d [mm]	-
Soapstone casing (SPM) h x w x d [mm]	1148 x 546 x 427
Firebox h x w x d [mm]	490 x 388 x 267
Warming compartment / -plate (ceramic, soapstone) w x d [mm]	425 x 220
Weight STM [kg]	152 / - / 177
Weight HMS [kg]	77
Flue pipe outlet [mm]	150
Flue pipe connection, middle [mm]	1040
Dimensions a, b, c, d [mm]	1699 x 1040 x 665 x 139
Safety distances to combustible materials front / side / rear [mm]	1200 / 540 / 180

OUTPUT

Nominal heat efficiency as per EN 13240 [kW]	6
Heat output min. / max. [kW]	3.5 / 8
Room heating capacity (depending on the building insulation) [m³]	65 - 165
Energy efficiency class	A

FITTINGS

XTRA heat storage technology	-
Heat Memory System (HMS)	Z
Ash box	o
external air connection / balanced flue operation	rear

DATA FOR THE CHIMNEY SWEEP

Total flue gas flow, closed [g/s]	4.4
Flue gas temperature, closed [°C]	331
Minimum feed pressure at nominal heat efficiency, closed [Pa]	12
at 0.8 times nominal heat efficiency [Pa]	10