

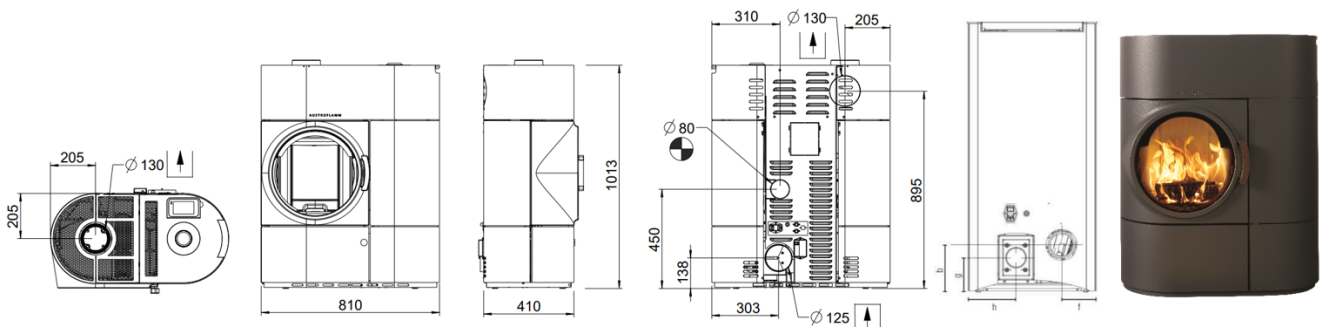
CLOU DUO



AUSTROFLAMM



[www.austroflamm.com](http://www.austroflamm.com)



## DIMENSIONS AND WEIGHTS

Height [mm]	1013
Width [mm]	810
Depth [mm]	410
Flue pipe outlet, diameter [mm]	130
Outside air connection [Ø mm]	125
Weight [kg]	212
b: Connection height with flue rear [mm]	895
f: Flue connection from right [mm]	205
g: Connection heat external air [mm]	138
h: External air connection from left [mm]	303

## HEAT OUTPUT

Nominal heat efficiency [kW] as per EN 13240 EN 14785	6.8 / 7
Min. / max. heat output [kW]	2.4-7.0
Min/max space heating capacity [m³]	98-190
Pellet hopper [kg/l]	≈ 22/34
Min / max fuel consumption [kg/h]	0.6-1.64
Min / max burning time [h]	≈ 13/36

## FEATURES

Room thermostat	o
(Weekly) timer	o
Automatic grate	o
Independent of ambient air	o
Power connection [V/Hz]	230/50
WLAN	Z
Remote control	o
Convection module	Z

## DATA FOR THE CHIMNEY SWEEP

Total flue gas flow [g/s] geschlossen	5.0
Flue gas temperature [°C] geschlossen	220
Minimum feed pressure at nominal heat efficiency [Pa] geschlossen	12