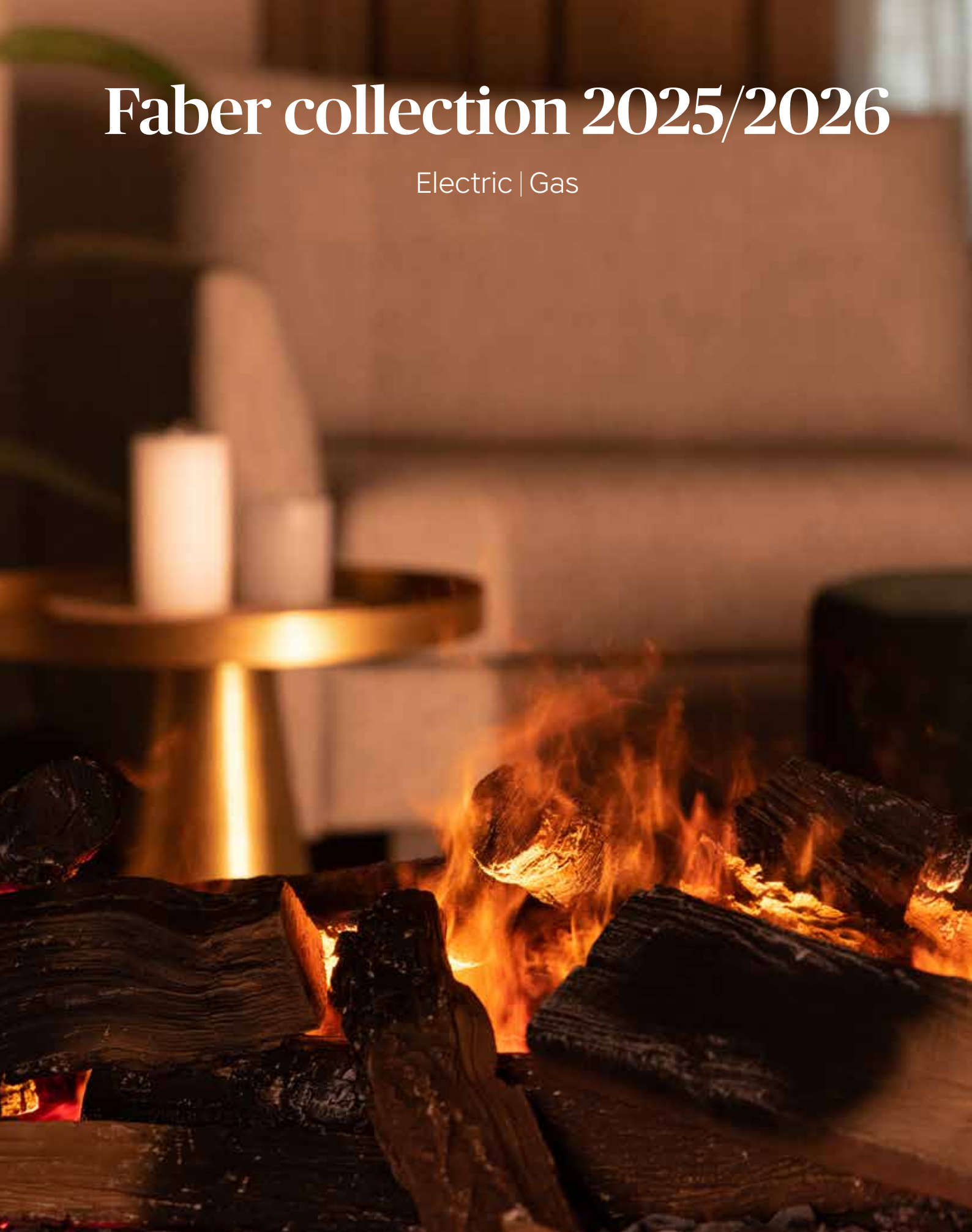


Faber collection 2025/2026

Electric | Gas





Faber since 1844

Imagine what's possible

With a Faber fireplace you get a truly unique experience. Choose a fireplace that offers perfect moments of warmth, enhances the feeling of comfort and cosiness, and brings people together. With our thoughtful innovations, Faber leads the industry, providing the most comprehensive choice in premium electric and gas fireplaces on the market.

A unique fire experience

In our extensive portfolio, you'll find fireplaces with stunning fire images developed with passion and craftsmanship. Be enchanted by our electric fireplaces with an unparalleled 3D fire experience. The swirling cold water vapour and (LED) lighting create a magical play of flames. And with our Matrix gas series, you can enjoy the distinctive campfire setup, making it seem like you're watching a real wood-burning fireplace. Whether electric or gas, Faber ensures a fire experience that will continuously amaze you.

Choose the future with Faber

With Faber, you make a conscious choice for a fireplace that is ready for the future. You have a wide range of options, including 100% electric fireplaces or energy-efficient hybrid gas fireplaces. Our electric fireplaces have no emissions and consume minimal energy. Faber gas fireplaces are prepared for the future and suitable for (bio)propane and the blending of hydrogen. This way, Faber remains at the forefront of the transition to sustainable, top-quality ambiance fireplaces.

Endless possibilities

Be inspired by the wide range of designs, decorations, and options that Faber has to offer. We believe in absolute freedom of choice so that you can create your dream fireplace that perfectly suits your personal taste and interior desires.



Unmatched quality since 1844

At Faber, we always strive for the best and most beautiful solutions for fireplace enthusiasts, so you can enjoy an amazing flame effect. For over 175 years, we have been developing and manufacturing fireplaces with an eye for detail, in the Netherlands.

At Faber, quality and safety are paramount. All our products comply with the applicable CE EN standards for gas and electric fireplaces. Our electric fireplaces are equipped with antibacterial technology that actively inhibits bacteria and microbes. Safe and sustainable, it reduces bacterial growth with proven results of up to 99.99%. Protection throughout the entire lifespan.

Trust our excellent service

Our fireplaces are designed to be enjoyed worry-free for many years. If, by any chance, something goes wrong, you can rely on our extensive service within the two-year factory warranty. Service requests are often carried out on-site by our network of selected service partners and our own service department. At Faber, we are always here for you.

Discover the true meaning of leadership, empathy, honesty, and trust with Faber. Create a warm and cosy atmosphere in your home while enjoying the highest quality and excellent service. Make the choice for Faber today and experience a fireplace that truly leads the way.

Do you want to be kept informed of our latest product developments?
Please follow our socials

@faberfires





Imagine what's possible

Faber means more than **175 years of quality**

The connective and soothing effect of an open fire is our passion. We are always looking for the best and most beautiful solutions, because we want our connoisseurs to enjoy an astonishing flame effect. We strive for the same warmth and urge for quality in our contact with those around us. Our fires have been developed and produced in the Netherlands for devotees all over the world for more than 175 years. Today, Faber is part of the Irish family business Glen Dimplex, market leader in top-quality ambient electric fires. A strong and trusted combination, with a pure origin!

Faber's 'fire makers' are driven to produce the most beautiful ambient fires. Rooted in log fires, leading in gas fires and in the vanguard of fires with new fuels, such as (bio)propane, electricity or a hybrid form. With pure craftsmanship, knowledge and advanced technology, Faber is responsible for discoveries and patents that have become standard in the world of fires today, and for the future. Take our electric e-MatriX and e-BoX models for example, with their low-energy, zero emission fire produced thanks to a unique combination of cold water mist and state-of-the-art LED lighting. Or the MatriX Hybrid fires, in which LED technology enables up to 50% reduction in gas consumption and related heat production. This makes Faber a market leader in the transition to sustainable and future-proof ambient fires. Patented discoveries which are proof that the 'making' of beautiful and responsible ambient fires is in our DNA. And our pride and passion!

In other words: Making ambient fires is part of Faber's DNA. And our pride and passion!





Electric



Environment-friendly & low energy

Fire of the future

Modern homes require very little additional warmth. A traditional fireplace is often not an option or is undesirable. Sustainable construction is a current theme. Additionally, we are increasingly residing in urban areas where exhaust of smoke gas is not always feasible. The unique features of the Faber e-MatriX make it possible to enhance the home with an atmospheric element! Even the crackling of wood is not missing. Ever-changing, captivating, and convincing! Exactly what is expected from an authentic fire experience, but without the traditional limitations!

The "fire" in our electric fires is created using cold water vapour and low-energy LED lighting. Made from pure water and therefore 0% harmful emissions. When the additional heating unit is off, the energy consumption can be compared with a standard television. Energy consumption can be reduced even further thanks to intelligence controls, such as thermostat regulation, open window detection and a function to switch off the fire when not used for a certain period of time.

Why opt for an electric Faber fireplace?

- Choose from a wide range of electric options; opt for the e-MatriX Vertical, Mood and Linear, the e-SliM Linear, or our e-BoX series.
- No need for a flue; can be installed anywhere.
- Unique patented three-dimensional "lifelike" fire display; a mesmerizing fire experience time and time again.
- Adjustable multicolour LED lighting; customizable to your own preferences and tastes.
- Adjustable heat output; up to a maximum of 2 kW.
- Easy control via remote control or Faber App (included as standard) for even more possibilities.
- The e-MatriX and e-BoX series offer a choice of decorations; log set, white pebbles, or acrylic ice.
- Our e-MatriX models can be optionally enhanced with top and/or bottom lighting for an enhanced fire experience.
- Available in various sizes and as front, 2-sided, 3-sided, room divider, or see-through models.
- Energy-efficient, 0% emissions, 100% fire display!



e-Matrix:

Astonishing fire... from water

e-Matrix Burner - Fascinating and responsible

The astonishing flame effect of the e-Matrix is down to a combination of rising cold water mist and low-energy (LED) lights, with no odour or smoke and therefore 100% sustainable. The result is sheer enjoyment: a playful, three-dimensional fire effect that moves up from the softly glowing embers between the logs to the top of the fire. The flame height is fully adjustable. You can even hear the sound of a crackling fire. An ultra-thin flexible water hose and a regular socket are all that's needed for the connection. A unique way of enjoying a 'log' fire, developed and patented by Faber.

Mood lighting - Extra ambience, at any moment

Our optional Mood lighting lifts the flames effect of the e-Matrix to a level previously unknown. The newly developed LED light optics of this option provide dynamic lighting, both under the entire ember bed and throughout the interior of the fireplace. The light intensity, movement and even colours can all be adjusted to suit your mood. This option gives a strikingly warmer and even more natural look to the flames and glowing effect, while also enhancing your view of the interior, even without 'flames'. All the options can be quite simply adjusted via your Faber app, to suit your atmosphere, mood or style. Or simply choose one of the preprogrammed settings. This option truly enhances the look of your fireplace, and really should be a part of your experience. Available for all e-Matrix Fires.



Wonderful heat in front of the fire

Are you sitting near the fire and you'd like to feel the radiating warmth? The e-Matrix is fitted with a compact, silent (additional) heating unit, that is incorporated invisibly in the fire. When you want, a warm air flow comes your way through the glass. A sensation that makes the experience even more complete. This additional heating unit has a capacity of maximum 2 kW and a thermostat function. The controls are integrated in the remote control and in the Faber app. Giving you optimum control of the heat from your fire at all times.



More information
about the e-Matrix?
Scan the QR code.



The eyecatcher of your home

e-Matrix Vertical

Introducing this astonishing new addition to your house: the one and only 100% electric vertical tunnel fireplace on the market! The centrepiece in your home! With its impressive height of 160 cm and a width of 80 cm, this fireplace is one of the largest vertical fireplaces available. Transform your interior into a warm and stylish paradise with this breathtaking fireplace!

Set the perfect ambiance with the adjustable multicolour LED lighting, allowing you to customize it to your liking. Personalize your fireplace with a choice of various decoration options, such as a wood set, white pebbles, or Acrylic ice. For an even more optimal experience, you can opt for bottom lighting. Control the desired warmth with the adjustable 1 or 2 kW heating option.

Maintaining this fireplace is effortless, thanks to its stylish integrated door. Operate the fireplace with ease using the included remote control or take advantage of the Faber App for even more possibilities. Enjoy an energy-efficient fireplace with zero emissions, yet offering a stunning fire display that serves as a captivating focal point in any room. Choose the unique e-Matrix Vertical fireplace and turn your interior into a breathtaking space that everyone will adore.

Why opt for the e-Matrix Vertical?

- Unique, the only 100% electric, vertical see-through fire on the market.
- At a height of 160 cm and 80 cm wide; one of the largest available vertical fires,
- Adjustable multi-colour LED lighting; for an even more realistic flame effect,
- Choice of decoration; log set, white pebbles or Acrylic ice,
- Optional base lighting for an even better mood effect,
- Adjustable heat; 1 or 2 kW,
- Simple maintenance via the stylishly integrated door,
- Operated via the enclosed remote control or the Faber App for even more options,
- Low-energy, 0% emissions, 100% flames!



More information about
the e-Matrix Vertical?
Scan the QR code.

In other words: Unique vertical electric fireplace with unprecedented possibilities for high-quality interior design.



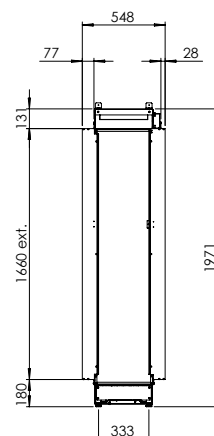
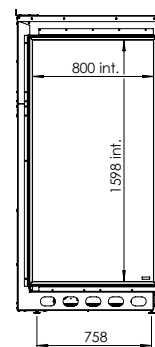
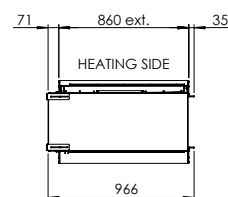
e-Matrix | 800/1600 ST



DECORATION



| | |
|------------------------|-------------|
| Heating functionality: | Yes |
| Flue material: | - |
| Watts: | 2250 W |
| Volts: | 230-240 V |
| Water consumption: | 0,15 l/h |
| Water pressure: | 0,5-8 Bar |
| Water connection: | 1/2" - 3/4" |



Specifications

Exterior dimensions WxHxD in mm

966 x 1971 x 548

Fire display WxHxD in mm

800 x 1600

System

e-Matrix burner

Decoration

Log set / White Pebble / Acrylic Ice

Side panel

Side panel smooth steel

Remote

Via app and Bluetooth remote

Power

2,0 kW

Operating system

-

Energy label

-

Options (at a surcharge)

Bottom Light

Water pump



Discover the irresistible charm

e-Matrix Mood

Discover the irresistible charm of the electric e-Matrix Mood fireplace, a masterpiece of frameless design and enchanting fire display. Let yourself be captivated by the wide fire, choice in decoration and the optional glow bed, which together create a lush and vibrant fireplace that will fascinate you time and time again.

This revolutionary fireplace is the ideal choice for an authentic fire experience without any hassle. With its groundbreaking features such as truly three-dimensional flames, complete safety, energy efficiency, and the freedom from gas, emissions, and chimney, the e-Matrix Mood provides a future-proof alternative to traditional fireplaces.

Effortlessly adjust the ambiance to your personal preference with the user-friendly Faber app or the convenient remote control. Choose consciously for a responsible and carefree way of enjoyment. Let yourself be amazed by the e-Matrix Mood fireplace and create the perfect atmosphere in any space. Experience the best of both worlds: the timeless character of a traditional fireplace combined with the innovative technology of the future.

Why opt for the e-Matrix Mood?

- No flue-gas pipe required; easy installation anywhere,
- Unique patented three-dimensional "living" fire effect; 100% fire experience,
- Adjustable multi-colour LED lighting; for an even more realistic flame effect,
- Adjustable heat; up to max. 2 kW,
- Simple operation via remote control or the Faber app (supplied standard) for even more options,
- Choice of decoration; log set, white pebbles or Acrylic ice
- With optional extras including top and/or bottom lighting for an even more realistic fire experience,
- Available in various sizes and as a front, 2 and 3-sided version, Room divider or See-through model,
- Low-energy, 0% emissions, 100% fire effect!



More information about
the e-Matrix Mood?
Scan the QR code.

In other words: Enchanting fire in a frameless design.
Real flames, modern technology. Enjoy without worries.

e-MatriX | 800/500 I



DECORATION



| | |
|------------------------|-------------|
| Heating functionality: | Yes |
| Flue material: | - |
| Watts: | 2250 W |
| Volts: | 230-240 V |
| Water consumption: | 0,15 l/h |
| Water pressure: | 0,5-8 Bar |
| Water connection: | 1/2" - 1/4" |



Specifications

Exterior dimensions WxHxD in mm
878 x 858 x 535

Fire display WxHxD in mm
800 x 500

System
e-MatriX burner

Decoration
Log set / White Pebble / Acrylic Ice

Back wall
Back wall smooth steel

Remote
Via app and Bluetooth remote

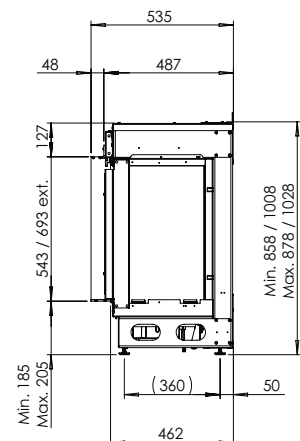
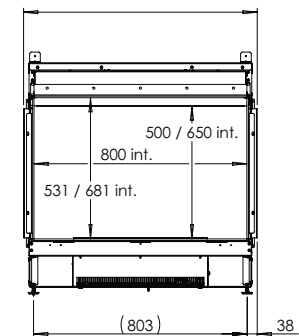
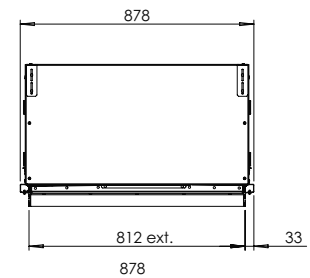
Power
2,0 kW

Operating system
-

Energy label
-

Options (at a surcharge)

- Top Light
- Bottom Light
- Non-reflective glass
- Black glass back wall
- Wall bracket
- Water pump



Imagine what's possible

e-Matrix | 800/500 II



DECORATION



| | |
|------------------------|-------------|
| Heating functionality: | Yes |
| Flue material: | - |
| Watts: | 2250 W |
| Volts: | 230-240 V |
| Water consumption: | 0,15 l/h |
| Water pressure: | 0,5-8 Bar |
| Water connection: | 1/2" - 1/4" |



Specifications

Exterior dimensions WxHxD in mm
940 x 858 x 535

Fire display WxHxD in mm
824 x 500 x 351

System
e-Matrix burner

Decoration
Log set / White Pebble / Acrylic Ice

Back wall
Back wall smooth steel

Remote
Via app and Bluetooth remote

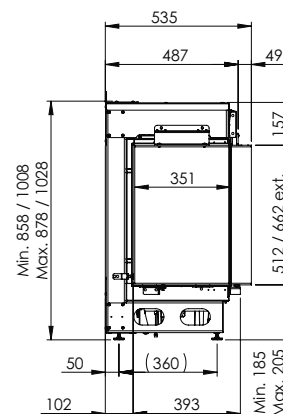
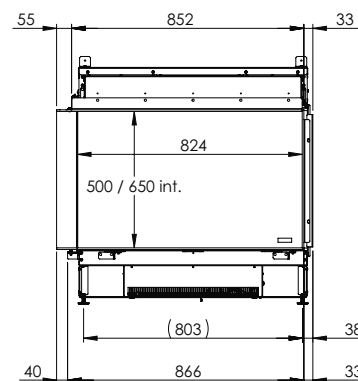
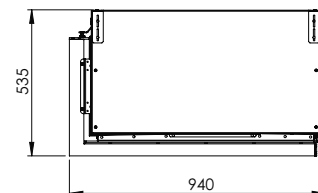
Power
2,0 kW

Operating system
-

Energy label
-

Options (at a surcharge)

- Top Light
- Bottom Light
- Non-reflective glass
- Black glass back wall
- Wall bracket
- Water pump



e-MatriX | 800/500 III



DECORATION



| | |
|------------------------|-------------|
| Heating functionality: | Yes |
| Flue material: | - |
| Watts: | 2250 W |
| Volts: | 230-240 V |
| Water consumption: | 0,15 l/h |
| Water pressure: | 0,5-8 Bar |
| Water connection: | 1/2" - 1/4" |



Specifications

Exterior dimensions WxHxD in mm
1001 x 858 x 535

Fire display WxHxD in mm
847 x 500 x 351

System
e-MatriX burner

Decoration
Log set / White Pebble / Acrylic Ice

Back wall
Back wall smooth steel

Remote
Via app and Bluetooth remote

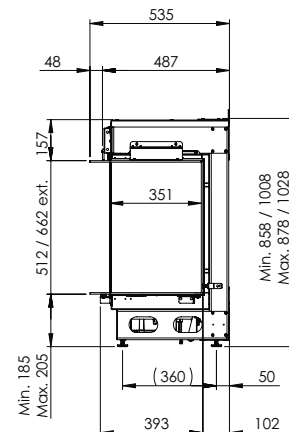
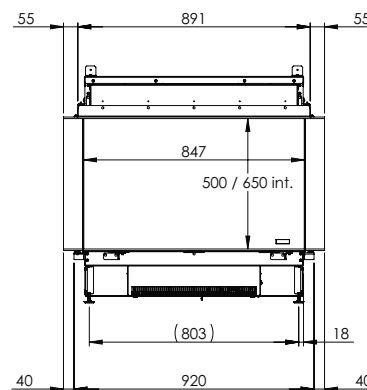
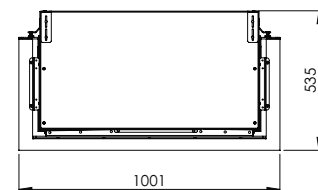
Power
2,0 kW

Operating system
-

Energy label
-

Options (at a surcharge)

- Top Light
- Bottom Light
- Non-reflective glass
- Black glass back wall
- Wall bracket
- Water pump



e-Matrix | 800/500 RD



Specifications

Exterior dimensions WxHxD in mm
1012 x 870 x 553

Fire display WxHxD in mm
820 x 500 x 396

System
e-Matrix burner

Decoration
Log set / White Pebble / Acrylic Ice

Side panel
Side panel smooth steel

Remote
Via app and Bluetooth remote

Power
2,0 kW

Operating system
-

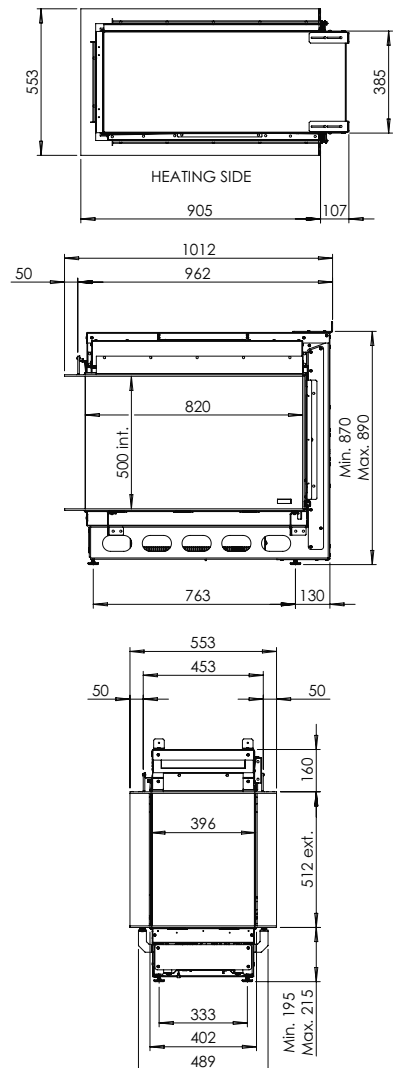
Energy label
-

Options (at a surcharge)
Top Light
Bottom Light
Non-reflective glass
Black glass back wall
Water pump

DECORATION



| | |
|------------------------|-------------|
| Heating functionality: | Yes |
| Flue material: | - |
| Watts: | 2250 W |
| Volts: | 230-240 V |
| Water consumption: | 0,15 l/h |
| Water pressure: | 0,5-8 Bar |
| Water connection: | 1/2" - 1/4" |



e-MatriX | 800/500 ST



DECORATION



| | |
|------------------------|-------------|
| Heating functionality: | Yes |
| Flue material: | - |
| Watts: | 2250 W |
| Volts: | 230-240 V |
| Water consumption: | 0,15 l/h |
| Water pressure: | 0,5-8 Bar |
| Water connection: | 1/2" - 1/4" |

Specifications

Exterior dimensions WxHxD in mm
956 x 870 x 549

Fire display WxHxD in mm
800 x 500

System
e-MatriX burner

Decoration
Log set / White Pebble / Acrylic Ice

Side panel
Side panel smooth steel

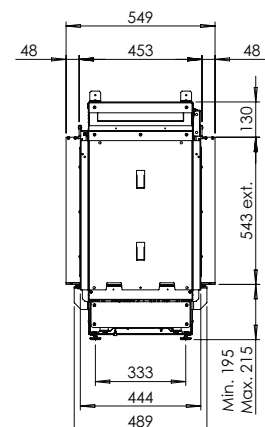
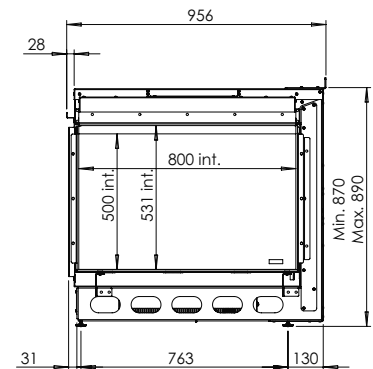
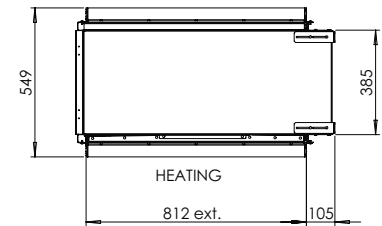
Remote
Via app and Bluetooth remote

Power
2,0 kW

Operating system
-

Energy label
-

Options (at a surcharge)
Top Light
Bottom Light
Non-reflective glass
Black glass back wall
Water pump





DECORATION



| | |
|------------------------|------------------|
| Heating functionality: | Yes |
| Flue material: | - |
| Watts: | 2250 W |
| Volts: | 230-240 V |
| Water consumption: | 0,15 l/h |
| Water pressure: | 0,5-8 Bar |
| Water connection: | 1/2" - 3/4" Inch |



Specifications

Exterior dimensions WxHxD in mm
878 x 1008 x 535

Fire display WxHxD in mm
800 x 650

System
e-MatriX burner

Decoration
Log set / White Pebble / Acrylic Ice

Back wall
Back wall smooth steel

Remote
Via app and Bluetooth remote

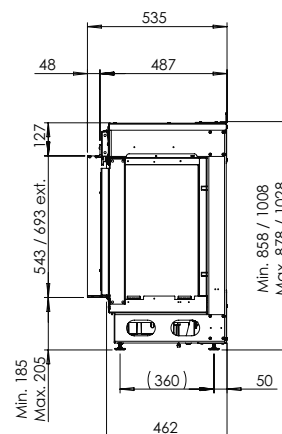
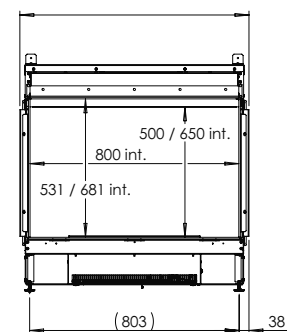
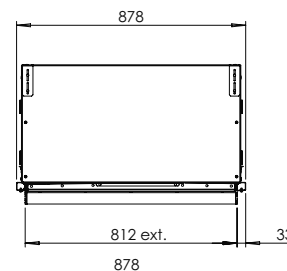
Power
2,0 kW

Operating system
-

Energy label
-

Options (at a surcharge)

- Top Light
- Bottom Light
- Non-reflective glass
- Black glass back wall
- Wall bracket
- Water pump



e-MatriX | 800/650 II



DECORATION



| | |
|------------------------|------------------|
| Heating functionality: | Yes |
| Flue material: | - |
| Watts: | 2250 W |
| Volts: | 230-240 V |
| Water consumption: | 0,15 l/h |
| Water pressure: | 0,5-8 Bar |
| Water connection: | 1/2" - 3/4" Inch |



Specifications

Exterior dimensions WxHxD in mm
940 x 1008 x 535

Fire display WxHxD in mm
824 x 650 x 351

System
e-MatriX burner

Decoration
Log set / White Pebble / Acrylic Ice

Back wall
Back wall smooth steel

Remote
Via app and Bluetooth remote

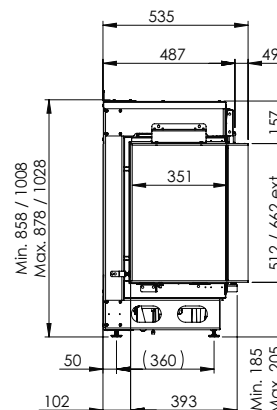
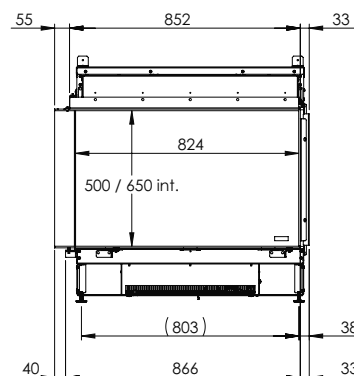
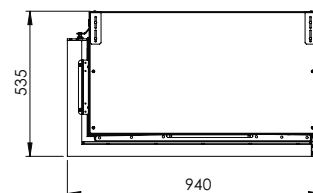
Power
2,0 kW

Operating system
-

Energy label
-

Options (at a surcharge)

- Top Light
- Bottom Light
- Non-reflective glass
- Black glass back wall
- Wall bracket
- Water pump



e-Matrix | 800/650 III



DECORATION



| | |
|------------------------|------------------|
| Heating functionality: | Yes |
| Flue material: | - |
| Watts: | 2250 W |
| Volts: | 230-240 V |
| Water consumption: | 0,15 l/h |
| Water pressure: | 0,5-8 Bar |
| Water connection: | 1/2" - 3/4" Inch |



Specifications

Exterior dimensions WxHxD in mm
1001 x 1008 x 535

Fire display WxHxD in mm
847 x 650 x 351

System
e-Matrix burner

Decoration
Log set / White Pebble / Acrylic Ice

Back wall
Back wall smooth steel

Remote
Via app and Bluetooth remote

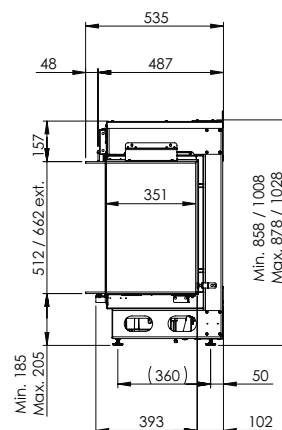
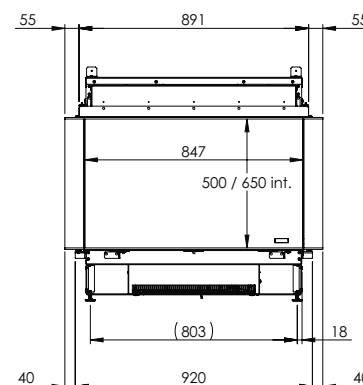
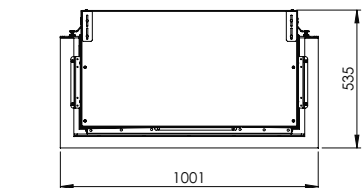
Power
2,0 kW

Operating system
-

Energy label
-

Options (at a surcharge)

- Top Light
- Bottom Light
- Non-reflective glass
- Black glass back wall
- Wall bracket
- Water pump





Strikingly Sustainable

e-Matrix Linear

Our Electric Linear Fires, specially designed to enchant you with their sleek, elongated design. With a unique fire display, beautiful decoration, and a vibrant glow bed (optional), they bring a surprisingly stylish touch to any space. Looking to further personalize your interior? No problem! Choose from a fireplace decoration of white pebbles or Acrylic ice, tailored to your own taste.

The contemporary design of our Linear Fires gives you the freedom to experiment with striking yet sustainable interior design. No more hassle with a chimney or gas connection! Thanks to these innovative features, you can enjoy ultimate flexibility in creating an atmospheric ambiance in your home. Make a statement with a fireplace that not only provides warmth and cosiness but also becomes a centrepiece in every room.

Discover the possibilities of Linear Fires and let yourself be enchanted by the perfect combination of style, functionality, and sustainability. Bring your own stylish fireplace into your home today!

Why opt for the e-Matrix Linear?

- No flue-gas pipe required; easy installation anywhere,
- Unique patented three-dimensional "living" fire effect; 100% fire experience,
- Adjustable multi-colour LED lighting; for an even more realistic flame effect,
- Adjustable heat; up to max. 2 kW,
- Simple operation via remote control or the Faber app (supplied standard) for even more options,
- Choice of decoration; log set, white pebbles or Acrylic ice
- With optional extras including top and/or bottom lighting for an even more realistic fire experience,
- Available in various sizes and as a front, 2 and 3-sided version
- Low-energy, 0% emissions, 100% fire effect!



More information about
the e-Matrix Linear?
Scan the QR code.

In other words: Experiment with contemporary fire. No chimney needed. Ultimate flexibility and eye-catcher.

e-MatriX | 1050/400 I



Specifications

Exterior dimensions WxHxD in mm
1128 x 755 x 537

Fire display WxHxD in mm
1050 x 400

System
e-MatriX burner

Decoration
Log set / White Pebble / Acrylic Ice

Back wall
Back wall smooth steel

Remote
Via app and Bluetooth remote

Power
2,0 kW

Operating system
-

Energy label
-

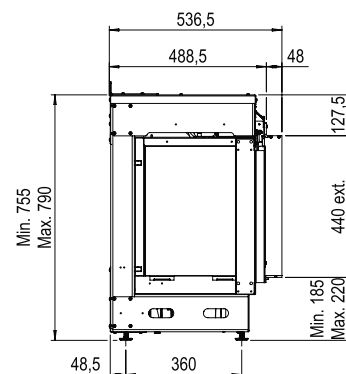
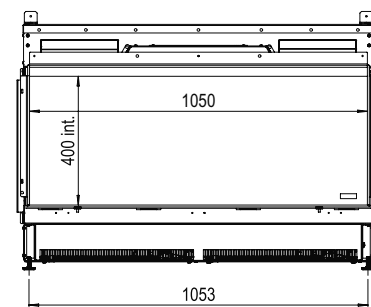
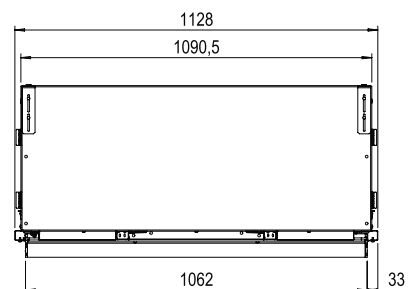
Options (at a surcharge)

- Top Light
- Bottom Light
- Non-reflective glass
- Black glass back wall
- Wall bracket
- Water pump

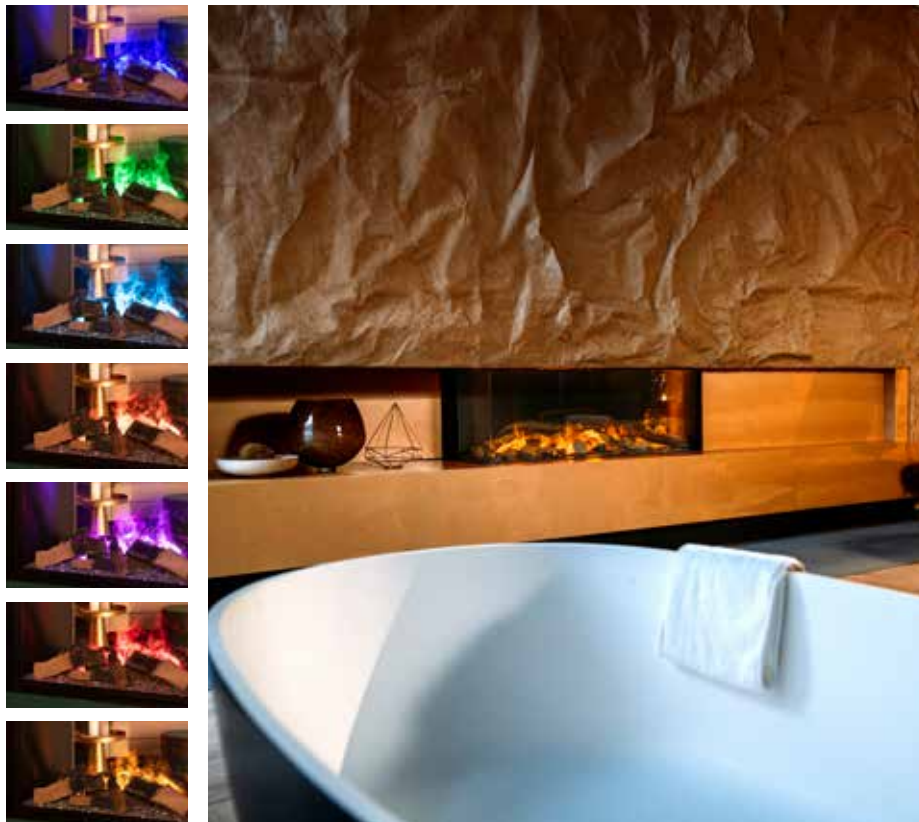
DECORATION



| | |
|------------------------|-------------|
| Heating functionality: | Yes |
| Flue material: | - |
| Watts: | 2470 W |
| Volts: | 230-240 V |
| Water consumption: | 0,3 l/h |
| Water pressure: | 0,5-8 Bar |
| Water connection: | 1/2" - 1/4" |



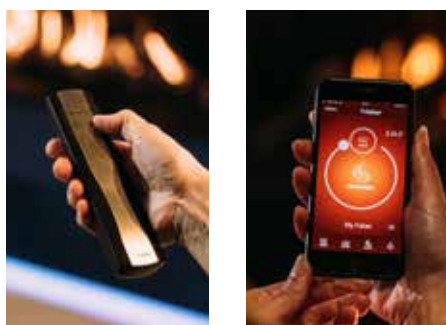
e-Matrix | 1050/400 II



DECORATION



| | |
|------------------------|-------------|
| Heating functionality: | Yes |
| Flue material: | - |
| Watts: | 2470 W |
| Volts: | 230-240 V |
| Water consumption: | 0,3 l/h |
| Water pressure: | 0,5-8 Bar |
| Water connection: | 1/2" - 1/4" |



Specifications

Exterior dimensions WxHxD in mm
1190 x 755 x 537

Fire display WxHxD in mm
1074 x 400 x 351

System
e-Matrix burner

Decoration
Log set / White Pebble / Acrylic Ice

Back wall
Back wall smooth steel

Remote
Via app and Bluetooth remote

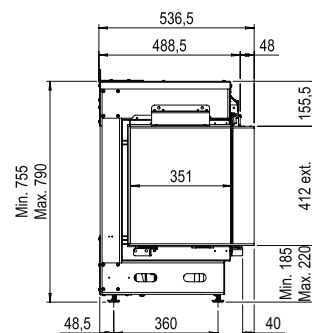
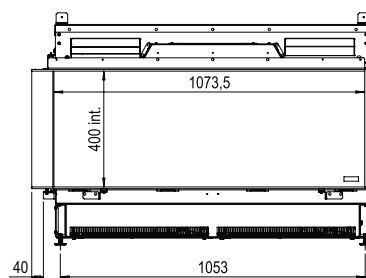
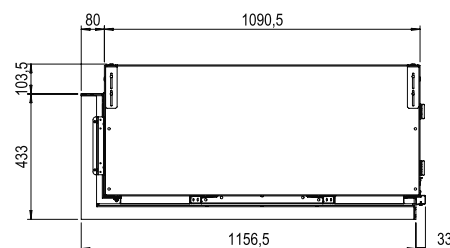
Power
2,0 kW

Operating system
-

Energy label
-

Options (at a surcharge)

- Top Light
- Bottom Light
- Non-reflective glass
- Black glass back wall
- Wall bracket
- Water pump



e-MatriX | 1050/400 III



DECORATION



| | |
|------------------------|-------------|
| Heating functionality: | Yes |
| Flue material: | - |
| Watts: | 2470 W |
| Volts: | 230-240 V |
| Water consumption: | 0,3 l/h |
| Water pressure: | 0,5-8 Bar |
| Water connection: | 1/2" - 1/4" |



Specifications

Exterior dimensions WxHxD in mm
1251 x 755 x 537

Fire display WxHxD in mm
1097 x 400 x 351

System
e-MatriX burner

Decoration
Log set / White Pebble / Acrylic Ice

Back wall
Back wall smooth steel

Remote
Via app and Bluetooth remote

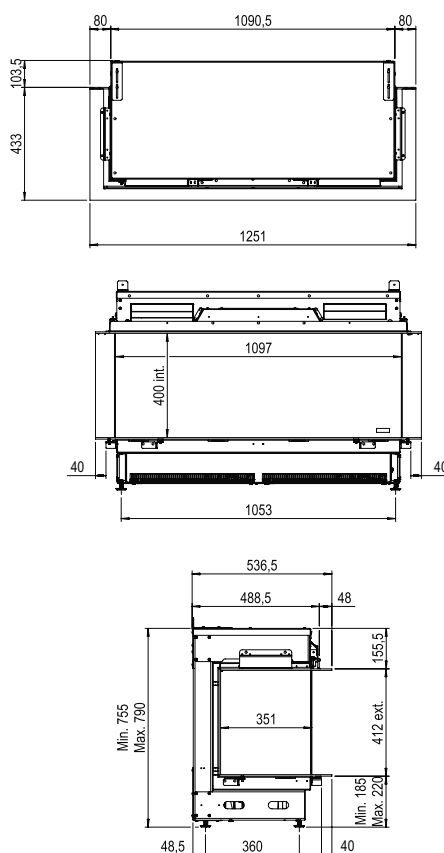
Power
2,0 kW

Operating system
-

Energy label
-

Options (at a surcharge)

- Top Light
- Bottom Light
- Non-reflective glass
- Black glass back wall
- Wall bracket
- Water pump



e-Matrix | 1300/400 I



DECORATION



| | |
|------------------------|-------------|
| Heating functionality: | Yes |
| Flue material: | - |
| Watts: | 2470 W |
| Volts: | 230-240 V |
| Water consumption: | 0,3 l/h |
| Water pressure: | 0,5-8 Bar |
| Water connection: | 1/2" - 1/4" |



Specifications

Exterior dimensions WxHxD in mm
1378 x 755 x 537

Fire display WxHxD in mm
1300 x 400

System
e-Matrix burner

Decoration
Log set / White Pebble / Acrylic Ice

Back wall
Back wall smooth steel

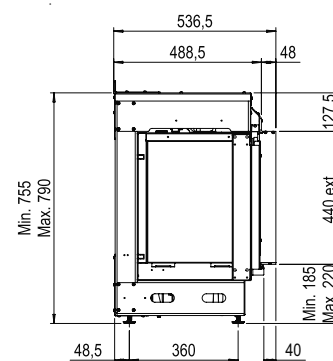
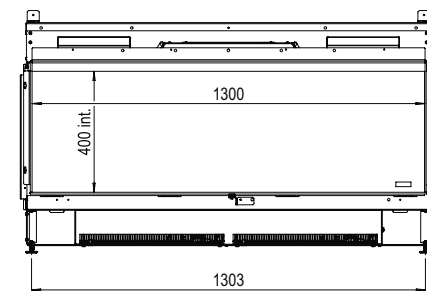
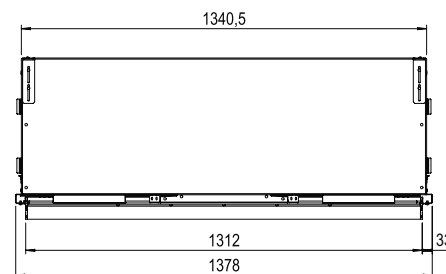
Remote
Via app and Bluetooth remote

Power
2,0 kW

Operating system
-

Energy label
-

Options (at a surcharge)
Top Light
Bottom Light
Non-reflective glass
Black glass back wall
Wall bracket
Water pump



e-MatriX | 1300/400 II



DECORATION



| | |
|------------------------|-------------|
| Heating functionality: | Yes |
| Flue material: | - |
| Watts: | 2470 W |
| Volts: | 230-240 V |
| Water consumption: | 0,3 l/h |
| Water pressure: | 0,5-8 Bar |
| Water connection: | 1/2" - 1/4" |



Specifications

Exterior dimensions WxHxD in mm
1440 x 755 x 537

Fire display WxHxD in mm
1324 x 400 x 351

System
e-MatriX burner

Decoration
Log set / White Pebble / Acrylic Ice

Back wall
Back wall smooth steel

Remote
Via app and Bluetooth remote

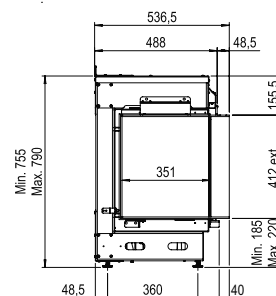
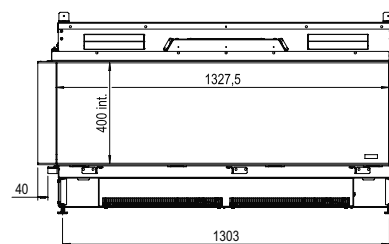
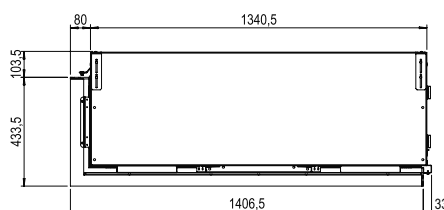
Power
2,0 kW

Operating system
-

Energy label
-

Options (at a surcharge)

- Top Light
- Bottom Light
- Non-reflective glass
- Black glass back wall
- Wall bracket
- Water pump



e-Matrix | 1300/400 III



DECORATION



| | |
|------------------------|-------------|
| Heating functionality: | Yes |
| Flue material: | - |
| Watts: | 2470 W |
| Volts: | 230-240 V |
| Water consumption: | 0,3 l/h |
| Water pressure: | 0,5-8 Bar |
| Water connection: | 1/2" - 1/4" |



Specifications

Exterior dimensions WxHxD in mm
1501 x 755 x 537

Fire display WxHxD in mm
1377 x 400 x 351

System
e-Matrix burner

Decoration
Log set / White Pebble / Acrylic Ice

Back wall
Back wall smooth steel

Remote
Via app and Bluetooth remote

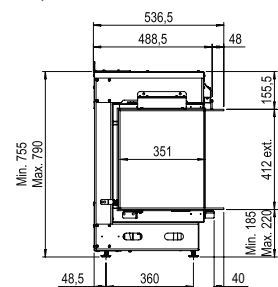
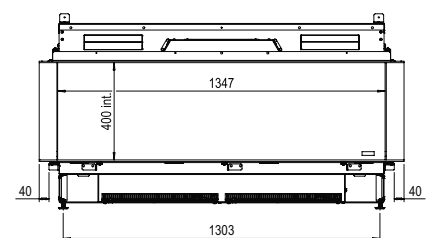
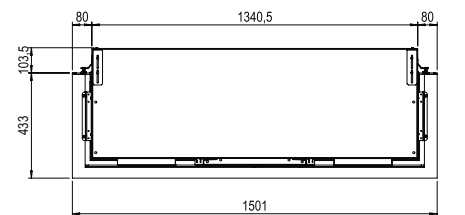
Power
2,0 kW

Operating system
-

Energy label
-

Options (at a surcharge)

- Top Light
- Bottom Light
- Non-reflective glass
- Black glass back wall
- Wall bracket
- Water pump





e-SliM:

Panoramic fire and a small built-in depth

The innovative e-SliM Linear redefines the high-quality electric fireplace. Thanks to the strikingly low installation depth, you can now install the astonishingly real fire effect that is consisting of light and water vapour in even more places than ever before. Available in 3 widths, for an attractive enrichment of every wall, every concept, at every location. An endless opportunity to play responsibly with fire!

The electric e-SliM Linear has been specially developed for anyone looking for an electric built-in fire with a beautiful panoramic fire view and at the same time a small built-in depth. For example, as part of a modern cine wall setup, for an impressive wall design, or as an extremely stylish alternative in well-insulated homes without a gas connection and flue pipes. The ease of use is also of a high level, thanks to the supplied remote control and Flame Connect App. Due to the choice of 3 different widths, there is always an e-SliM Linear that suits your interior wishes.

Future proof

The e-SliM Linear offers a realistic, dynamic and 100% safe fire view that convinces through the combination of naturally swirling cold water vapour and energy-efficient LED light. Specially developed to fully enjoy a swirling, atmospheric fire, without the limitations of a traditional gas or wood fire. An alternative where fossil fireplaces are not (any longer) desired or allowed.

Minimum consumption and maintenance, maximum ease of use

The power consumption of the fire image is virtually nil due to the energy-efficient LED lighting. In addition, the e-SliM Linear uses a maximum of a few litres of tap water per day (when used continuously). This makes these fires very energy efficient and completely emission-free. Only a regular socket, a (thin) flexible water connection or reservoir with pump are sufficient for the connection. Moreover, maintenance is minimal.



e-SliM Linear Burner - Our latest water vapour technology

The fire image of the new e-SliM Linear has the same origin as that of our e-Matrix fireplaces. The combination of swirling cold water vapour and special (LED) lighting creates 100% safe, fascinating and fully 3-dimensional flames. Unique and always different! Furthermore, the e-Slim Linear has an adjustable multi-colour fire image and top lighting. For a unique and personal image, suitable for any atmosphere or occasion. Or for a traditional fire image, which will surprise many enthusiasts of a wood fire. In addition to eight lighting themes, the colours are also individually adjustable. The lifelike wood decoration with hand-finished ceramic blocks was specially composed for the e-SliM Linear.

Built-in heat

The e-SliM Linear provides heat at the push of a button and also has a built-in thermostat. In addition, the fire is equipped with the patented ComfortSaver technology as standard, whereby the appliance keeps the room at the desired temperature in an energy-efficient manner. You reach the heat through the glass of the fireplace, which creates a pleasant, indirect glow. This heating can be operated separately from the fire image, via the control panel, remote control or app. For extra comfort directly around the fireplace, and as a comfortable additional heating during extra cold days.

Determine your own style and atmosphere with light

Both the colour of the 'flames' and the top lighting in the e-SliM Linear can be set in many colours, matching the desired style or atmosphere. Choose from eight built-in mood lighting themes or create your own favourite. Whatever your choice, thanks to the LED lighting, energy consumption is minimal. The e-SliM Linear can be operated on the fireplace, with the supplied remote control or the specially developed Flame Connect App.

Why opt for the e-SliM Linear?

- Unique three-dimensional fire image
- Adjustable multi-colour top lighting and flame colour
- Energy efficient, 0% emissions, 100% fire image
- No flue gas discharge required
- Installation can be done almost anywhere, low installation depth
- Patented ComfortSaver heating system (max. 2 kW)
- Ultimate ease of use; manually, with remote control or app
- Perfect for use in a Cinewall, for example
- Available in 3 widths, up to more than 2 meters fire image



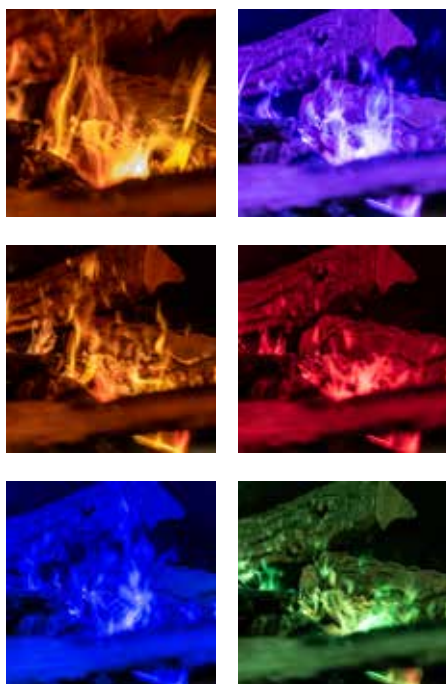
More information about
the e-SliM Linear?
Scan the QR code.

In short: 100% safe, fascinating and fully 3-dimensional flames. Unique and always different!

e-Slim | 1200/450 I



DECORATION



Specifications

Exterior dimensions WxHxD in mm
1210 x 800 x 300

Fire display WxHxD in mm
1170 x 440

System
e-Slim burner

Decoration
Log set

Back wall
Back wall smooth steel

Remote
With Flame Connect app and
Bluetooth remote control

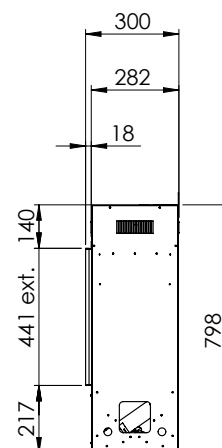
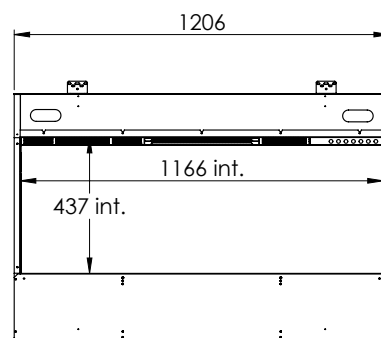
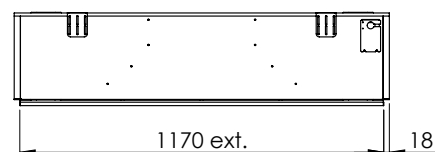
Power
1,3 kW

Operating system
-

Energy label
-

Options (at a surcharge)
Water pump

| | |
|------------------------|-------------|
| Heating functionality: | Yes |
| Flue material: | - |
| Watts: | 2200 W |
| Volts: | 230-240 V |
| Water consumption: | 0,3 l/h |
| Water pressure: | 0,5-8 Bar |
| Water connection: | 1/2" - 3/4" |



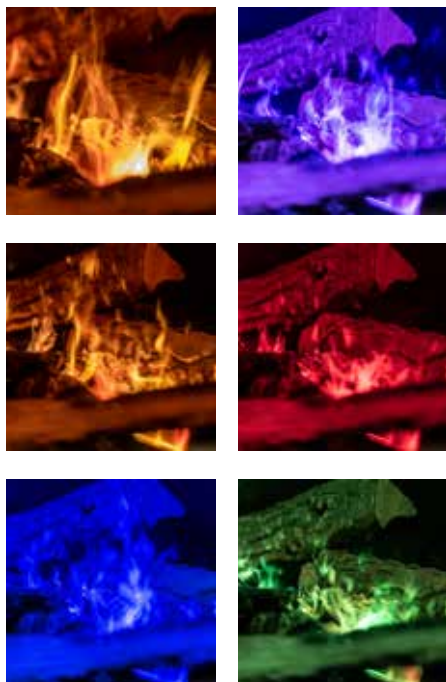
e-SliM | 1700/450 I



DECORATION



| | |
|------------------------|-------------|
| Heating functionality: | Yes |
| Flue material: | - |
| Watts: | 2200 W |
| Volts: | 230-240 V |
| Water consumption: | 0,45 l/h |
| Water pressure: | 0,5-8 Bar |
| Water connection: | 1/2" - 3/4" |



Specifications

Exterior dimensions WxHxD in mm
1720 x 800 x 300

Fire display WxHxD in mm
1680 x 440

System
e-SliM burner

Decoration
Log set

Back wall
Back wall smooth steel

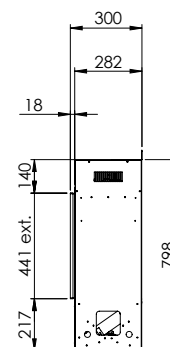
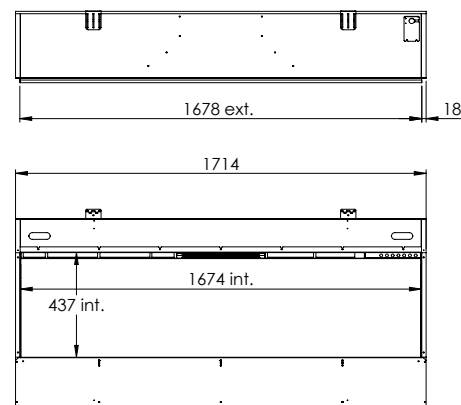
Remote
With Flame Connect app and Bluetooth remote control

Power
1,3 kW

Operating system
-

Energy label
-

Options (at a surcharge)
Water pump



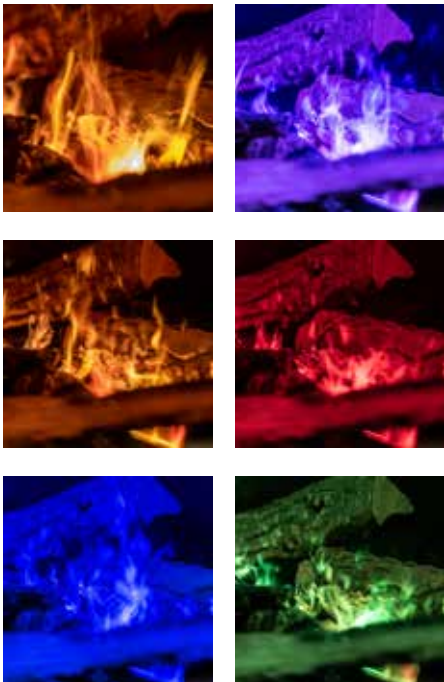




DECORATION



| | |
|------------------------|-------------|
| Heating functionality: | Yes |
| Flue material: | - |
| Watts: | 2200 W |
| Volts: | 230-240 V |
| Water consumption: | 0,60 l/h |
| Water pressure: | 0,5-8 Bar |
| Water connection: | 1/2" - 3/4" |



Specifications

Exterior dimensions WxHxD in mm
2230 x 800 x 300

Fire display WxHxD in mm
2190 x 440

System
e-SliM burner

Decoration
Log set

Back wall
Back wall smooth steel

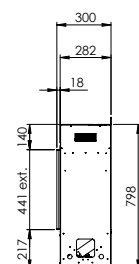
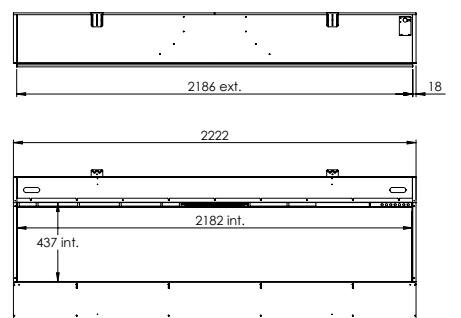
Remote
With Flame Connect app and Bluetooth remote control

Power
1,3 kW

Operating system
-

Energy label
-

Options (at a surcharge)
Water pump







Gas



Your ultimate fireplace experience, **according to your style and preference**

Discover the future of heating with our innovative collection of gas fireplaces! In these modern times, where sustainability and style go hand in hand, traditional fireplaces don't always fit the picture anymore. Fortunately, there's now a solution that perfectly aligns with the needs of contemporary desires.

Explore our revolutionary hybrid MatriX ambiance fireplaces, where gas and LED light come together in perfect harmony, akin to hybrid cars. With the innovative Hybrid Pro Lighting (HPL) system, the gas flame is partially replaced by energy-efficient LED light, resulting in a fire glow that surpasses any ordinary gas fireplace. Enjoy a more intense and immersive fire image while saving up to 50% on gas consumption, CO2 emissions, and heat.

Our MatriX fireplaces offer a range of built-in widths and models, including Linear Fires with a wide view of the flames. Choose from horizontal logs with a glowing bed or stylish white pebbles for interior decoration. Easily control your fireplace via remote control or the Faber App on your smartphone or tablet.

For freestanding gas fireplaces, there are various designs tailored to your taste and interior, with options for hanging or standing models. A suitable option is available for every interior style.

Why opt for a Faber gas fireplace?

- A wide range of sizes and models to ensure there's always a fireplace that suits you perfectly. Whether you're looking for a compact fireplace for a cosy space or an impressive centrepiece for a spacious living room, we have the right options for you.
- Our fireplaces are equipped with adjustable burners, allowing you to customize the fire display exactly to your liking. Whether you prefer a calm and subtle flame effect or a powerful and intense fire display, our fireplaces can be tailored to your taste.
- With a heat range from 1,5kW to 10kW, it's easy to adjust to your heating needs. Whether you desire a subtle heat source during a balmy summer evening or a powerful heater for the winter months, our fireplaces can meet all your expectations.
- Choose the optional glow bed lighting (HPL or Symbio) to create an even more vibrant fire display. This addition enhances the flame effect, bringing a captivating ambiance to your space.
- Select from a choice of a wood set or white pebbles to customize your fireplace to your liking. Whether you prefer the rustic charm of a wood set or the modern and sleek look of white pebbles.



Pushes boundaries

MatriX Hybrid

With the MatriX Hybrid gas fireplace, Faber once again pushes the boundaries in the world of fireplaces. If you may think that fewer "real" flames mean a less realistic fire, you're mistaken. Faber's "HPL" LED technology actually adds a new dimension to gas fireplaces, allowing you to create an even more impressive fire display with the same ease and less gas. All at the push of a button on the remote control or a tap on your smartphone or tablet.

Save up to 50% on your gas consumption without compromising on the ultimate fire experience. Discover our revolutionary hybrid fireplace, equipped with the optional Hybrid Pro Light module for an even richer fire display, even at the lowest setting. Enjoy a horizontally oriented fire display with beautifully evenly distributed flames across the entire width of the fireplace.

With a total of 7 different burners, you can customize the fire display to your preference, creating the perfect ambiance for every situation. Furthermore, the heat output is adjustable from a maximum of 10 to just 1.5 kW, making this fireplace ideal for modern, well-insulated homes with low heating needs. Available in various sizes and models, including front-facing, 2-sided, and 3-sided versions, room dividers, and see-through models.

Why opt for the MatriX Hybrid?

- Up to 50% less gas consumption; without sacrificing the natural flame effect,
- The (optional) Hybrid Pro Light module gives even richer flames; even at the lowest setting,
- Horizontal flame effect with equally distributed flames over the entire width of the fire,
- No less than 7 individual burners offer unequalled adjustment possibilities; always the perfect flames for any situation,
- Adjustable heat output from maximum 10 down to a mere 1.5 kW; therefore also ideal for modern, well insulated houses with relatively limited heat requirements,
- Available in various sizes and as a front, 2 and 3-sided version, Room divider or See-through model.



More information about
the MatriX Hybrid?
Scan the QR code.

In other words: a modern and extremely low energy gas fire offering endless possibilities.



MatriX Hybrid:

The unique interplay between gas and light

Faber Log Burner® 3.0 - the innovative Log Burner® 3.0

The innovative Log Burner® 3.0 is Faber's latest development and sets new standards in hybrid burner technology. The Log Burner® 3.0 is a further development of our successful Log Burner® 2.0 burner technology. The burner tubes are no longer straight and round, but follow the natural contours of the logs. The wood set has a natural appearance in just the right place. The fire is switched in steps and divides the fire over the 7 burners, for activated flame. This burner is suitable for the LED technology of the (optional) HPL module. This combination provides an unprecedented full and rich-looking fire and glow bed, with up to half the gas consumption and heat production! You can easily operate the main functions via the supplied remote control, the Faber app offers additional functions.

Hybrid Pro Light Module - New light on a gas fire

The Hybrid Pro Light module is our breakthrough in terms of glowing effects. With the HPL module, in addition to the glow bed, the logs are also provided with a natural glow for an even more intensive fire image. The Hybrid Pro Light module is a further development of our successful Symbio glow bed lighting module. Thanks to this ingenious system of LED light projection, Faber's Firemakers have succeeded in creating an unprecedentedly fascinating overall image of flames, twinkling logs and coals at a very low heat setting. As if you are looking directly into a fully burning fire, but with half the gas consumption and the corresponding heat production!

Perfect cosiness, even at the lowest setting.

Reducing gas consumption boosts sustainability and more and more houses are effectively insulated and equipped with efficient heating systems. That affects the function of gas fireplaces. They are no longer simply essential for heating purposes, but all the more for creating a cosy atmosphere! And that's a good thing, because the Faber hybrid gas fireplaces were designed specially to give rich flames with the least possible gas consumption and limited heat production. In fact: thanks to the HPL module, these fireplaces give perfect cosiness even without the use of the gas flames!

MatriX | 800/500 I

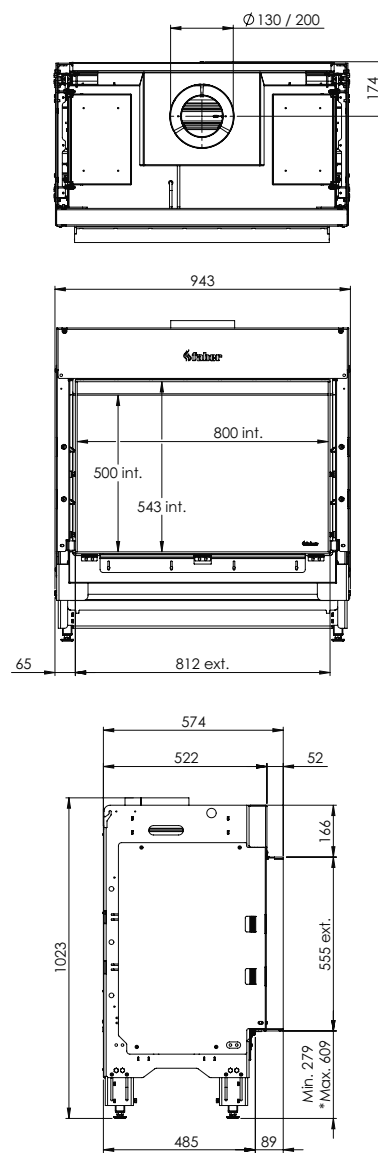


DECORATION



HPL module

Flue material 130/200



* Incl. optional adjustable feet

Specifications

Exterior dimensions WxHxD in mm
943 x 1023 x 574

Fire display WxHxD in mm
800 x 500

System
Log Burner 3.0

Decoration
Log set

Back wall
Back wall smooth steel

Remote
Via app and ITC Remote

Power
10,1 kW

Operating system
Honeywell

Energy label
B

Options (at a surcharge)
HPL Module
Non-reflective glass
Black glass back wall
Inset depth 30 mm
Adjustable feet
Wall bracket



MatriX | 800/500 II

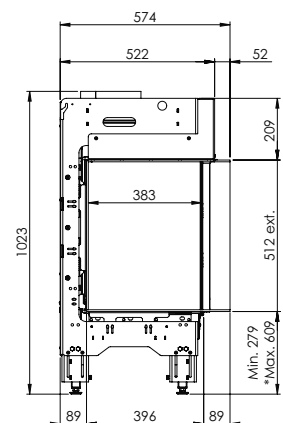
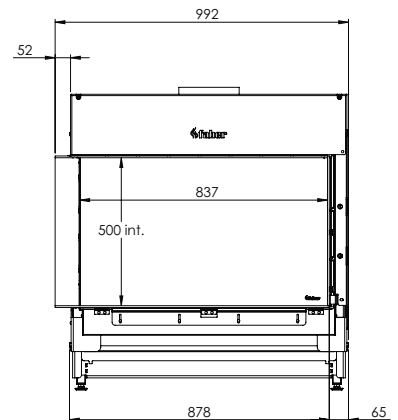
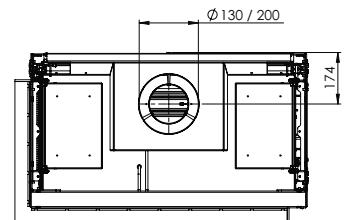


DECORATION



HPL module

Flue material 130/200



* Incl. optional adjustable feet



Specifications

Exterior dimensions WxHxD in mm
992 x 1023 x 574

Fire display WxHxD in mm
837 x 500 x 383

System
Log Burner 3.0

Decoration
Log set

Back wall
Back wall smooth steel

Remote
Via app and ITC Remote

Power
10,1 kW

Operating system
Honeywell

Energy label
B

Options (at a surcharge)

- HPL Module
- Non-reflective glass
- Black glass back wall
- Inset depth 30 mm
- Adjustable feet
- Wall bracket

MatriX | 800/500 III

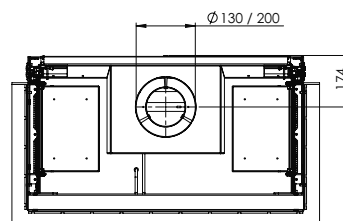


DECORATION



HPL module

Flue material 130/200



Specifications

Exterior dimensions WxHxD in mm
1040 x 1023 x 574

Fire display WxHxD in mm
872 x 500 x 383

System
Log Burner 3.0

Decoration
Log set

Back wall
Back wall smooth steel

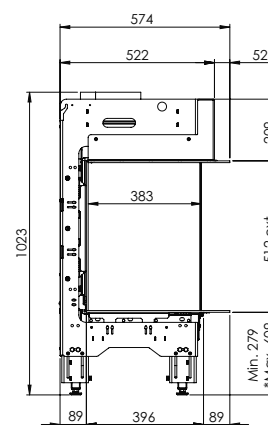
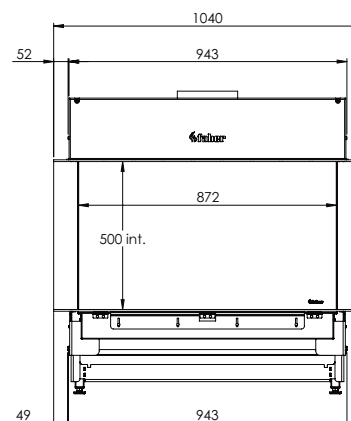
Remote
Via app and ITC Remote

Power
10,1 kW

Operating system
Honeywell

Energy label
B

Options (at a surcharge)
HPL Module
Non-reflective glass
Black glass back wall
Inset depth 30 mm
Adjustable feet
Wall bracket



* Incl. optional adjustable feet



Matrix | 800/500 RD

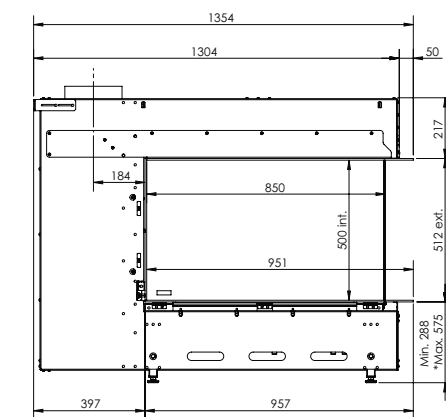
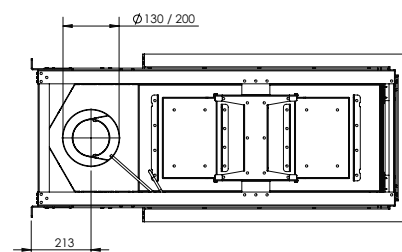


DECORATION

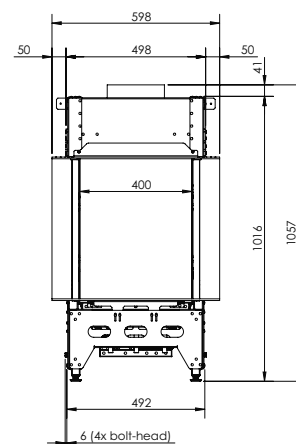


HPL module

Flue material 130/200



* Inc. optional adjustable feet



Specifications

Exterior dimensions WxHxD in mm
1354 x 1057 x 598

Fire display WxHxD in mm
850 x 500 x 400

System
Log Burner 3.0

Decoration
Log set

Back wall
Back wall smooth steel

Remote
Via app and ITC Remote

Power
10,7 kW

Operating system
Honeywell

Energy label
B

Options (at a surcharge)
HPL Module
Non-reflective glass
Black glass back wall
Adjustable feet



MatriX | 800/500 ST

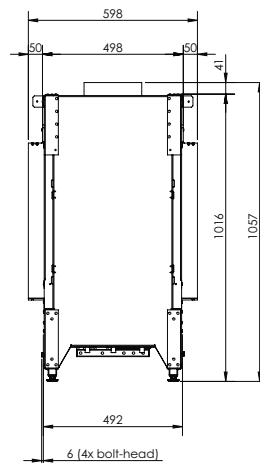
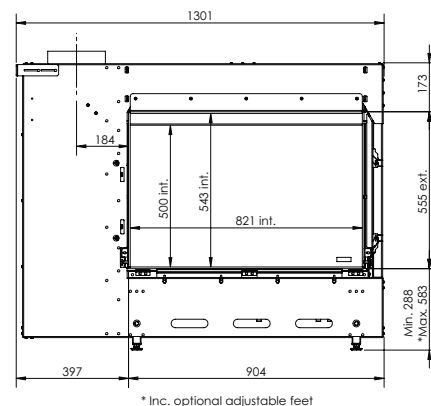
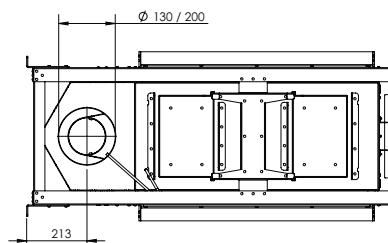


DECORATION



HPL module

Flue material 130/200



Specifications

Exterior dimensions WxHxD in mm
1301 x 1057 x 598

Fire display WxHxD in mm
821 x 500

System
Log Burner 3.0

Decoration
Log set

Side panel
Side panel smooth steel

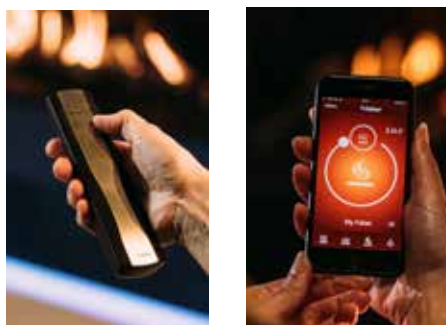
Remote
Via app and ITC Remote

Power
10,7 kW

Operating system
Honeywell

Energy label
B

Options (at a surcharge)
HPL Module
Non-reflective glass
Black glass back wall
Adjustable feet

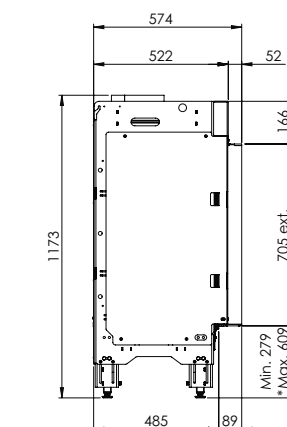
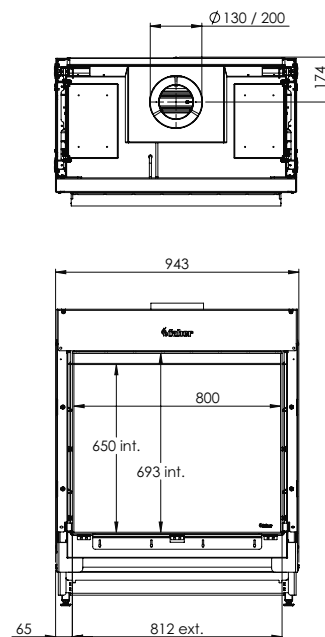


DECORATION



HPL module

Flue material
130/200



* Incl. optional adjustable feet

Specifications

Exterior dimensions WxHxD in mm
943 x 1173 x 574

Fire display WxHxD in mm
800 x 650

System
Log Burner 3.0

Decoration
Log set

Back wall
Back wall smooth steel

Remote
Via app and ITC Remote

Power
10,3 kW

Operating system
Honeywell

Energy label
B

Options (at a surcharge)

- HPL Module
- Non-reflective glass
- Black glass back wall
- Inset depth 30 mm
- Adjustable feet
- Wall bracket

MatriX | 800/650 II



Specifications

Exterior dimensions WxHxD in mm
992 x 1173 x 574

Fire display WxHxD in mm
837 x 650 x 383

System
Log Burner 3.0

Decoration
Log set

Back wall
Back wall smooth steel

Remote
Via app and ITC Remote

Power
10,3 kW

Operating system
Honeywell

Energy label
B

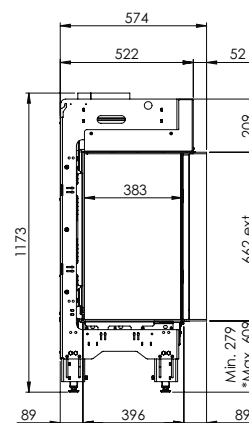
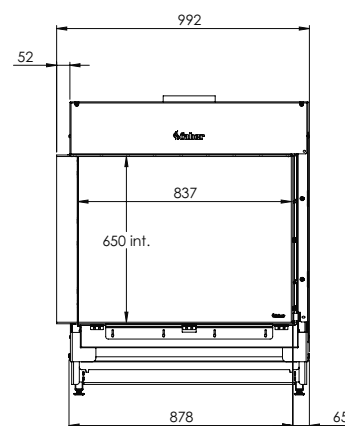
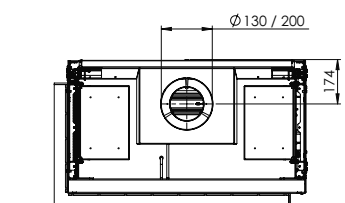
Options (at a surcharge)
HPL Module
Non-reflective glass
Black glass back wall
Inset depth 30 mm
Adjustable feet
Wall bracket

DECORATION



HPL module

Flue material
130/200



* Incl. optional adjustable feet

MatriX | 800/650 III

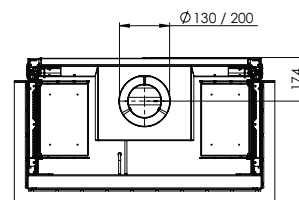


DECORATION



HPL module

Flue material 130/200



Specifications

Exterior dimensions WxHxD in mm
1040 x 1173 x 574

Fire display WxHxD in mm
872 x 650 x 383

System
Log Burner 3.0

Decoration
Log set

Back wall
Back wall smooth steel

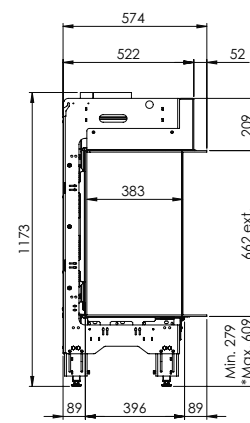
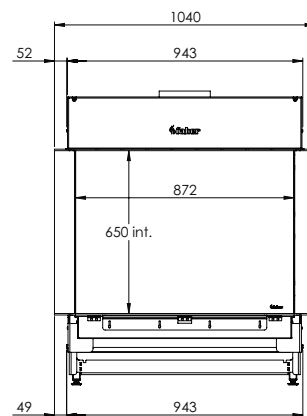
Remote
Via app and ITC Remote

Power
10,3 kW

Operating system
Honeywell

Energy label
B

Options (at a surcharge)
HPL Module
Non-reflective glass
Black glass back wall
Inset depth 30 mm
Adjustable feet
Wall bracket



* Incl. optional adjustable feet

MatriX | 1050/500 I



Specifications

Exterior dimensions WxHxD in mm
1193 x 1023 x 574

Fire display WxHxD in mm
1050 x 500

System
Log Burner 3.0

Decoration
Log set

Back wall
Back wall smooth steel

Remote
Via app and ITC Remote

Power
10,0 kW

Operating system
Honeywell

Energy label
B

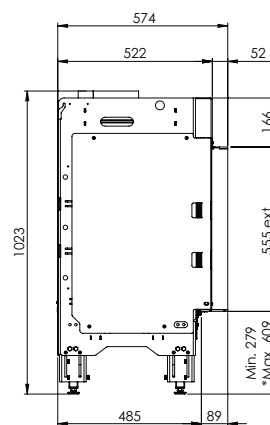
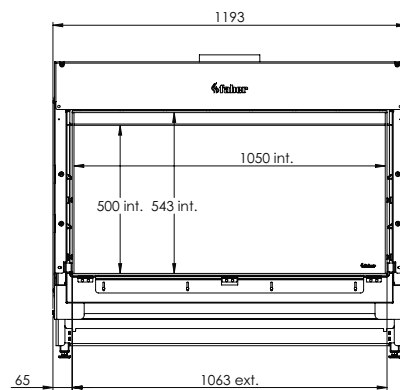
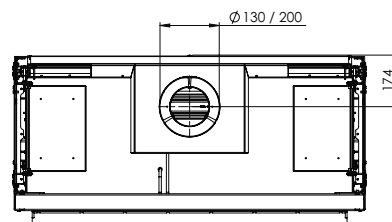
Options (at a surcharge)
HPL Module
Non-reflective glass
Black glass back wall
Inset depth 30 mm
Adjustable feet
Wall bracket

DECORATION



HPL module

Flue material
130/200



* Incl. optional adjustable feet

MatriX | 1050/500 II

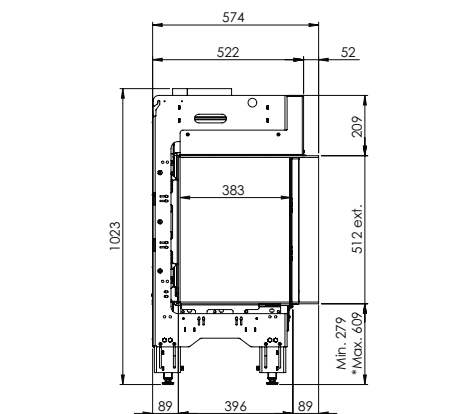
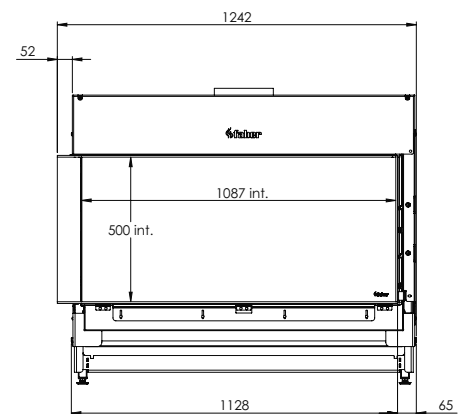
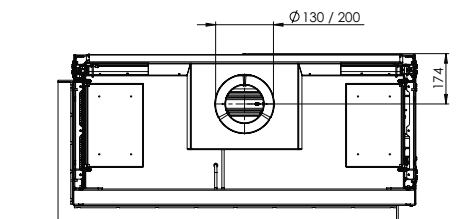


DECORATION



HPL module

Flue material 130/200



* Incl. optional adjustable feet

Specifications

Exterior dimensions WxHxD in mm
1242 x 1023 x 574

Fire display WxHxD in mm
1087 x 500 x 383

System
Log Burner 3.0

Decoration
Log set

Back wall
Back wall smooth steel

Remote
Via app and ITC Remote

Power
10,0 kW

Operating system
Honeywell

Energy label
B

Options (at a surcharge)

- HPL Module
- Non-reflective glass
- Black glass back wall
- Inset depth 30 mm
- Adjustable feet
- Wall bracket

MatriX | 1050/500 III



Specifications

Exterior dimensions WxHxD in mm
1290 x 1023 x 574

Fire display WxHxD in mm
1122 x 500 x 383

System
Log Burner 3.0

Decoration
Log set

Back wall
Back wall smooth steel

Remote
Via app and ITC Remote

Power
10,0 kW

Operating system
Honeywell

Energy label
B

Options (at a surcharge)

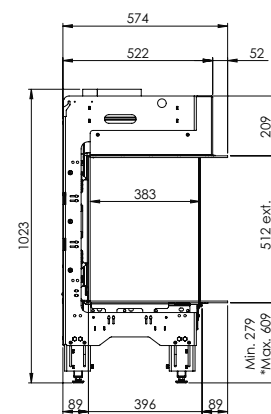
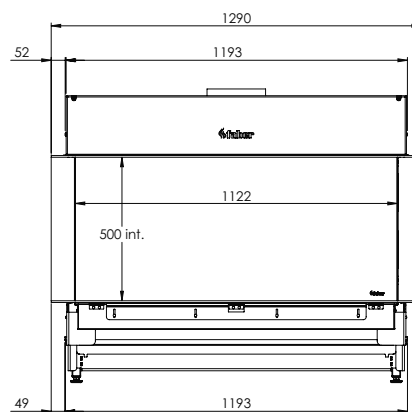
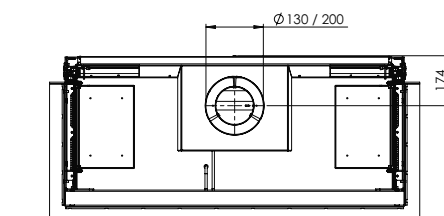
- HPL Module
- Non-reflective glass
- Black glass back wall
- Inset depth 30 mm
- Adjustable feet
- Wall bracket

DECORATION



HPL module

Flue material 130/200



* Incl. optional adjustable feet

MatriX | 1050/500 RD

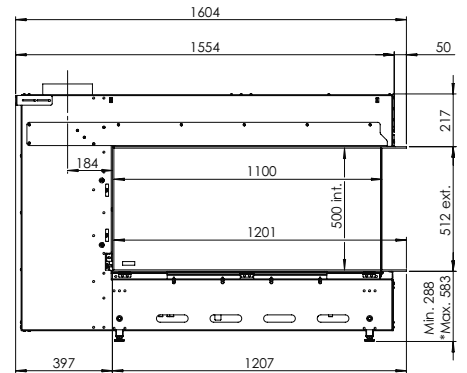
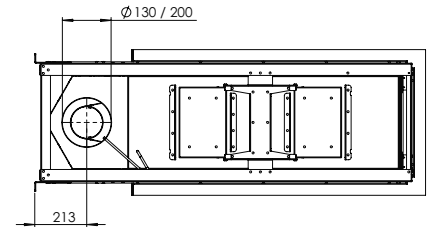


DECORATION

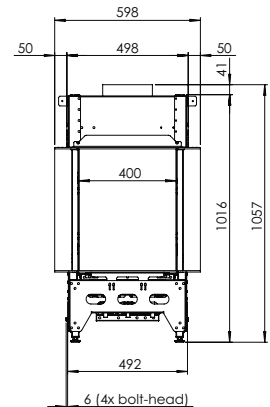


HPL module

Flue material 130/200



* Incl. optional adjustable feet



Specifications

Exterior dimensions WxHxD in mm
1604 x 1057 x 598

Fire display WxHxD in mm
1100 x 500 x 400

System
Log Burner 3.0

Decoration
Log set

Side panel
Side panel smooth steel

Remote
Via app and ITC Remote

Power
10,7 kW

Operating system
Honeywell

Energy label
B

Options (at a surcharge)
HPL Module
Non-reflective glass
Black glass back wall
Adjustable feet

MatriX | 1050/500 ST

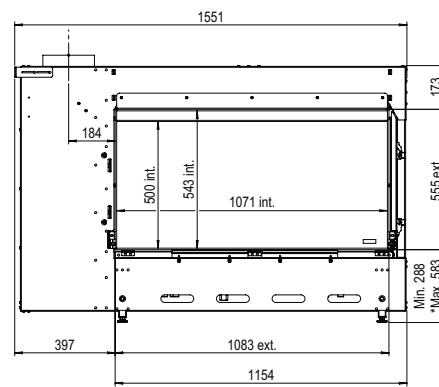
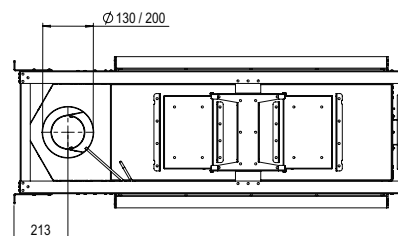


DECORATION

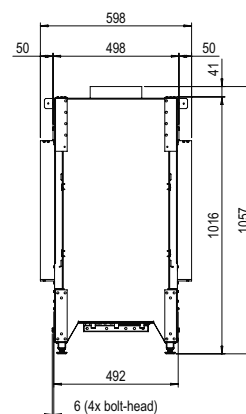


HPL module

Flue material 130/200



* Incl. optional adjustable feet



Specifications

Exterior dimensions WxHxD in mm
1551 x 1057 x 598

Fire display WxHxD in mm
1071 x 500

System
Log Burner 3.0

Decoration
Log set

Side panel
Side panel smooth steel

Remote
Via app and ITC Remote

Power
10,7 kW

Operating system
Honeywell

Energy label
B

Options (at a surcharge)
HPL Module
Non-reflective glass
Black glass back wall
Adjustable feet

MatriX | 1050/650 I

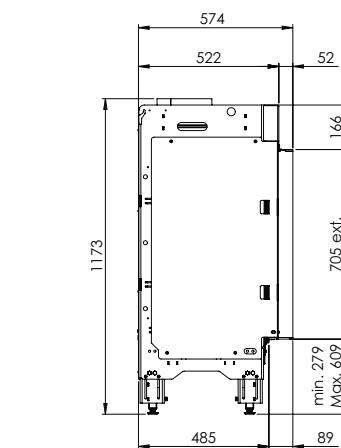
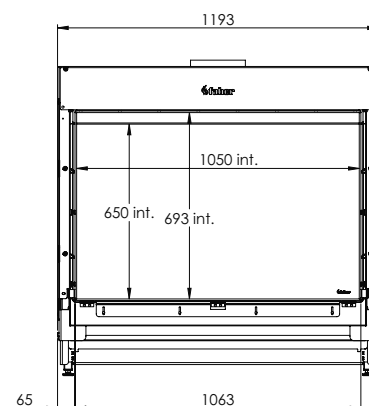
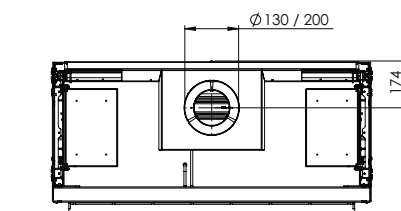


DECORATION



HPL module

Flue material 130/200



* Incl. optional adjustable feet

Specifications

Exterior dimensions WxHxD in mm
1193 x 1173 x 574

Fire display WxHxD in mm
1050 x 650

System
Log Burner 3.0

Decoration
Log set

Back wall
Back wall smooth steel

Remote
Via app and ITC Remote

Power
10,1 kW

Operating system
Honeywell

Energy label
B

Options (at a surcharge)

- HPL Module
- Non-reflective glass
- Black glass back wall
- Inset depth 30 mm
- Adjustable feet
- Wall bracket

MatriX | 1050/650 II

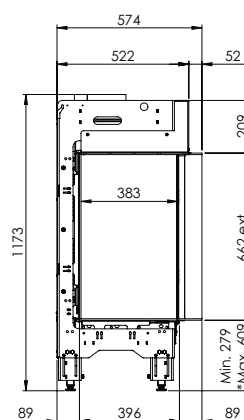
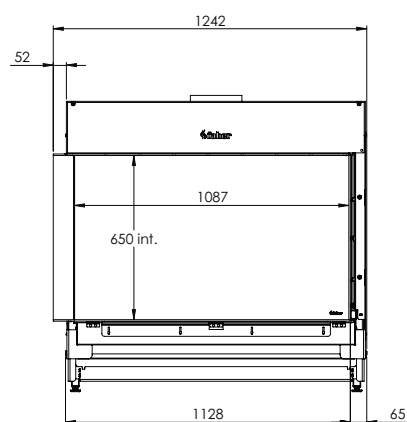
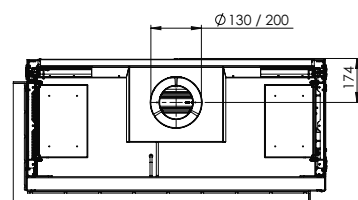


DECORATION



HPL module

Flue material 130/200



* Incl. optional adjustable feet



Specifications

Exterior dimensions WxHxD in mm
1242 x 1173 x 574

Fire display WxHxD in mm
1087 x 650 x 383

System
Log Burner 3.0

Decoration
Log set

Back wall
Back wall smooth steel

Remote
Via app and ITC Remote

Power
10,1 kW

Operating system
Honeywell

Energy label
B

Options (at a surcharge)
HPL Module
Non-reflective glass
Black glass back wall
Inset depth 30 mm
Adjustable feet
Wall bracket

Matrix | 1050/650 III

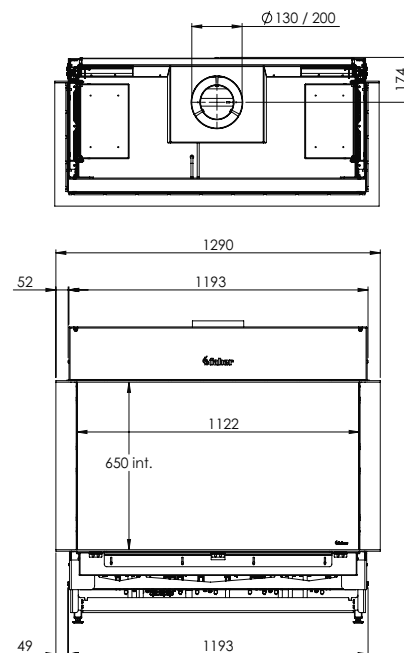


DECORATION



HPL module

Flue material 130/200



Specifications

Exterior dimensions WxHxD in mm
1290 x 1173 x 574

Fire display WxHxD in mm
1122 x 650 x 383

System
Log Burner 3.0

Decoration
Log set

Back wall
Back wall smooth steel

Remote
Via app and ITC Remote

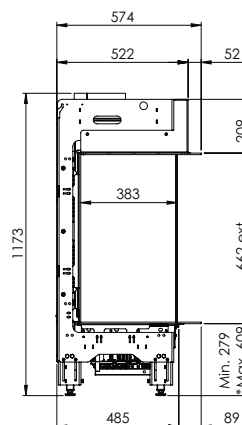
Power
10,1 kW

Operating system
Honeywell

Energy label
B

Options (at a surcharge)

- HPL Module
- Non-reflective glass
- Black glass back wall
- Inset depth 30 mm
- Adjustable feet
- Wall bracket



* Incl. optional adjustable feet



The ultimate fire experience for your home

MatriX Linear

Our Linear Fires offer a generous fire display across virtually the entire width of the fireplace, regardless of the desired flame height. Even with minimal heat demand, these models perfectly accentuate the beautiful flames.

With MatriX Linear, you enjoy freedom of choice. Choose from various built-in widths and three installation variants, ensuring the fireplace seamlessly fits your interior. Create a unique atmosphere that reflects your style with a range of interior decorations. Our Linear Fires combine popular width and height, providing you with a spacious view of the flames. These models add significant extra length and emphasize the low silhouette of the linear range. Enjoy a stylish fire along the entire length of these impressive fireplaces. Select from stunning horizontal logs with a glowing bed or stylish white pebbles for decoration.

Experience the Faber Double Line Burner: a wide, elongated, and tranquil fire that creates a serene ambiance in any space. The flames burn regularly and fully across almost the entire width of the fireplace. Choose to have a single row of flames at the front or activate both the front and back for an even fuller fire display and more warmth. With quick startup and precise flame height control, this fireplace offers ultimate comfort and convenience.

Easily operate the main functions with the included remote control. For ultimate convenience, install the Faber App on your smartphone or tablet and control the fireplace with a simple tap.

Why opt for the MatriX Linear?

- Extra wide and low gas fire; up to 130 cm of flames!
- Double row of individually adjustable burners; for more intensive flames and added heat output,
- Choice of luxury ceramic log set or white pebbles for an extra modern and luxurious look;
- Adjustable heat output; from maximum 10 to minimum 4 KW.
- Available in various sizes and as front, 2 and 3-sided models.



More information about
the MatriX Linear?
Scan the QR code.

In other words: an impressively sized
fire with fantastic flames.



MatriX Linear:

The ultimate panoramic gas fireplace

Our Linear Fire models offer a lavish fire effect over almost the full width of the fire and that is true for every flame height. Even with a minimum heat output, the flames of this model look fabulous. There is a choice of three inset widths, each of them in three versions and with various interior decorations.

Faber Double Line Burner - Wide, stretched out and calm

The fire of the Double Line Burner burns with regular and particularly full flames across the entire width of the fire. You can have the fire burn just at the front (single row) or at the back too (double row), for a full fire effect and extra heat. The fire starts up in just a few seconds and the height of the flames can be set with accuracy.

Lavish flames with plenty of choices

There is a choice of three inset widths, each in three versions and with various interior decorations. The Linear Fires combine a popular width and height with a good view of the flames. These versions add considerable extra length, to emphasise the low silhouette of the linear reach, while still enjoying beautiful flames over the entire length of these impressive fires. For decoration there is a choice of beautiful, horizontal logs on an ember bed, or a bed of stylish white pebbles. The main functions can be simply operated via the remote control supplied, or why not install the Faber App to operate your fire via your smartphone or tablet?

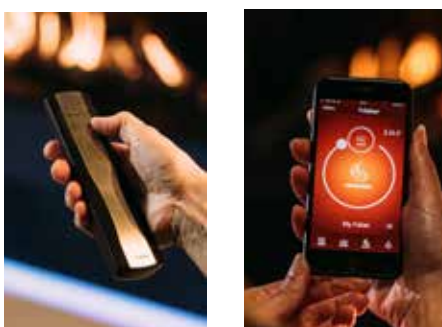
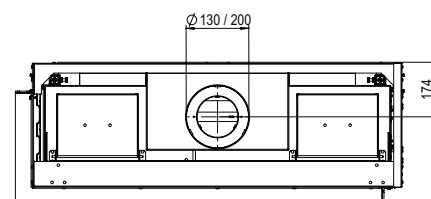
MatriX | 800/400 II (R)



DECORATION



Flue material 130/200



Specifications

Exterior dimensions WxHxD in mm
987 x 827 x 452

Fire display WxHxD in mm
835 x 400 x 257

System
Double Line Burner

Decoration
Log set or White Pebble

Back wall
Back wall smooth steel

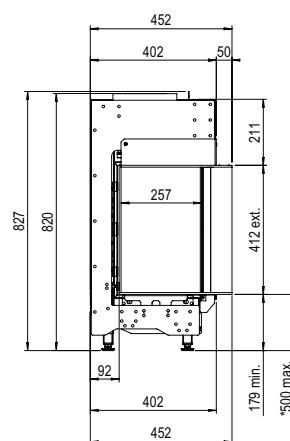
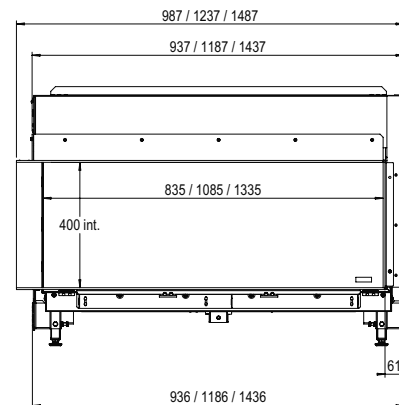
Remote
Via app and ITC Remote

Power
7,1 kW

Operating system
Honeywell

Energy label
B

Options (at a surcharge)
Black glass back wall
Non-reflective glass
Adjustable feet
Wall bracket

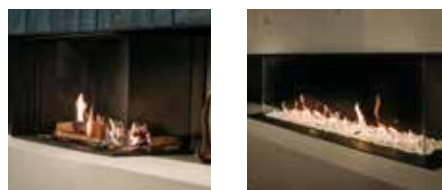


* incl. optional adjustable feet

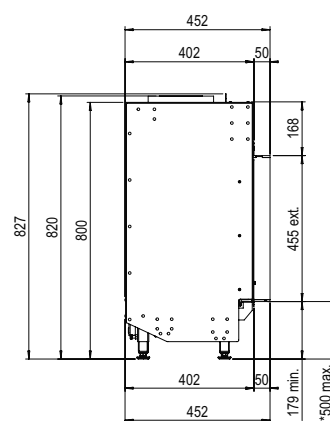
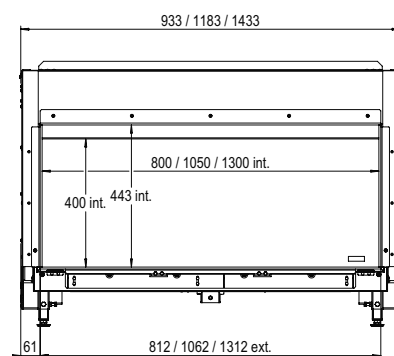
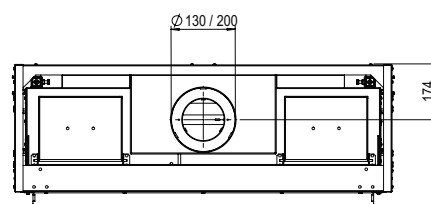
MatriX | 1050/400 I



DECORATION



Flue material 130/200



* incl. optional adjustable feet



Specifications

Exterior dimensions WxHxD in mm
1183 x 827 x 452

Fire display WxHxD in mm
1050 x 400

System
Double Line Burner

Decoration
Log set or White Pebble

Back wall
Back wall smooth steel

Remote
Via app and ITC Remote

Power
8,7 kW

Operating system
Honeywell

Energy label
A

Options (at a surcharge)
Non-reflective glass
Black glass back wall
Adjustable feet
Wall bracket

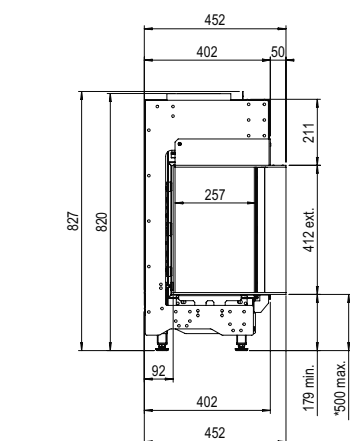
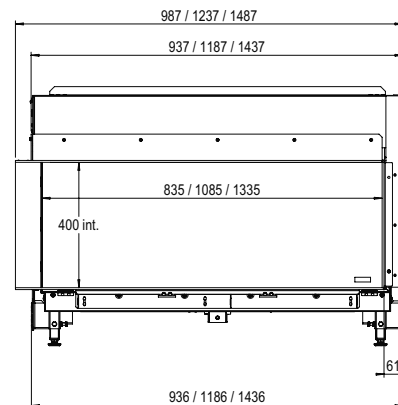
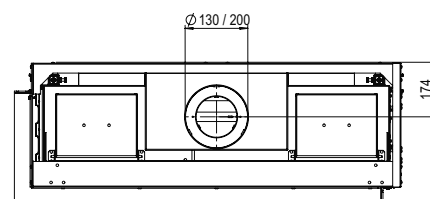
MatriX | 1050/400 II



DECORATION



Flue material
130/200



* incl. optional adjustable feet



Specifications

Exterior dimensions WxHxD in mm
1237 x 827 x 452

Fire display WxHxD in mm
1085 x 400 x 257

System
Double Line Burner

Decoration
Log set or White Pebble

Back wall
Back wall smooth steel

Remote
Via app and ITC Remote

Power
8,7 kW

Operating system
Honeywell

Energy label
A

Options (at a surcharge)
Non-reflective glass
Black glass back wall
Adjustable feet
Wall bracket

MatriX | 1050/400 III



Specifications

Exterior dimensions WxHxD in mm
1290 x 827 x 452

Fire display WxHxD in mm
1122 x 400 x 257

System
Double Line Burner

Decoration
Log set or White Pebble

Back wall
Back wall smooth steel

Remote
Via app and ITC Remote

Power
8,7 kW

Operating system
Honeywell

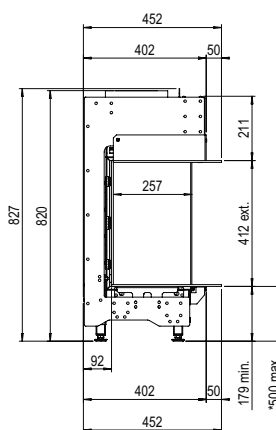
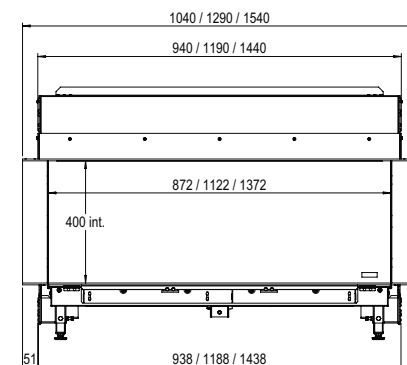
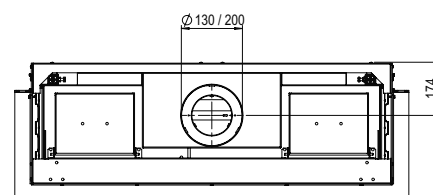
Energy label
A

Options (at a surcharge)
Non-reflective glass
Black glass back wall
Adjustable feet
Wall bracket

DECORATION



Flue material
130/200



* incl. optional adjustable feet

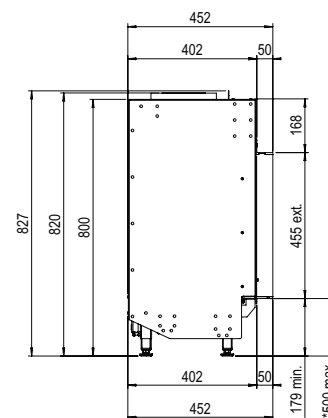
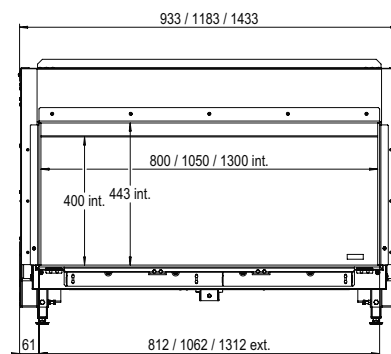
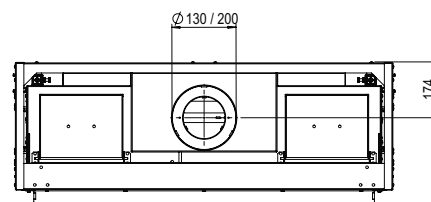
MatriX | 1300/400 I



DECORATION



Flue material
130/200



* incl. optional adjustable feet



Specifications

Exterior dimensions WxHxD in mm
1433 x 827 x 452

Fire display WxHxD in mm
1300 x 400

System
Double Line Burner

Decoration
Log set or White Pebble

Back wall
Back wall smooth steel

Remote
Via app and ITC Remote

Power
10,5 kW

Operating system
Honeywell

Energy label
B

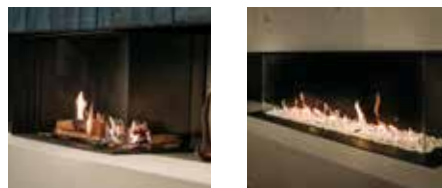
Options (at a surcharge)
Non-reflective glass
Black glass back wall
Adjustable feet
Wall bracket



MatriX | 1300/400 II



DECORATION



Specifications

Exterior dimensions WxHxD in mm
1487 x 827 x 452

Fire display WxHxD in mm
1335 x 400 x 257

System
Double Line Burner

Decoration
Log set or White Pebble

Back wall
Back wall smooth steel

Remote
Via app and ITC Remote

Power
10,5 kW

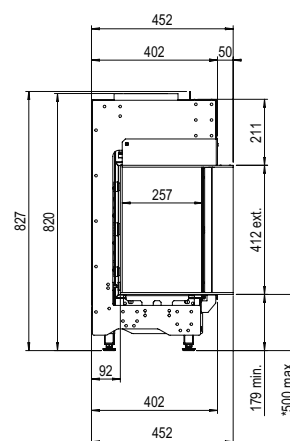
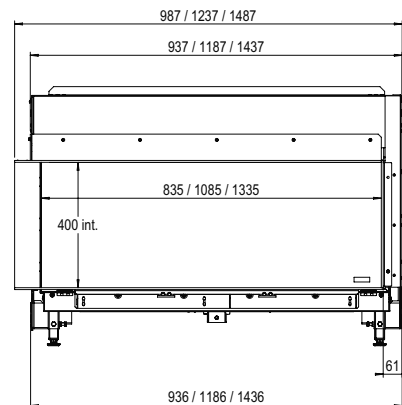
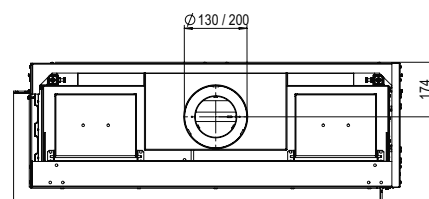
Operating system
Honeywell

Energy label
B

Options (at a surcharge)
Non-reflective glass
Black glass back wall
Adjustable feet
Wall bracket



Flue material 130/200



* incl. optional adjustable feet

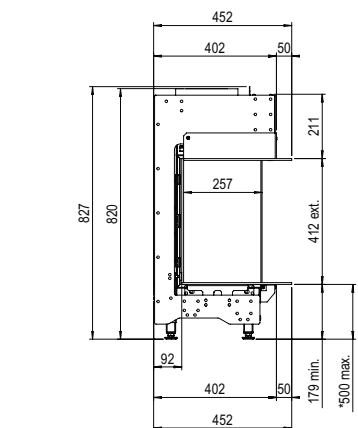
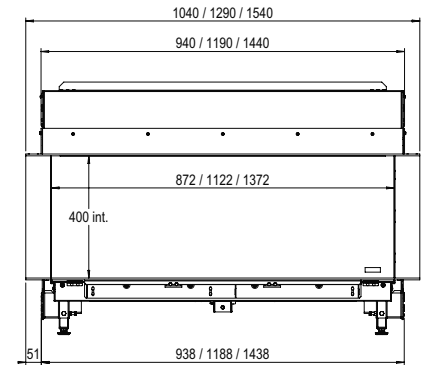
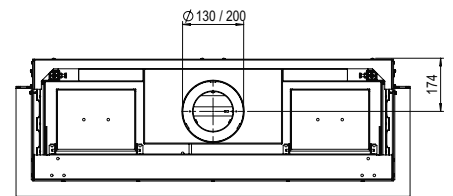
MatriX | 1300/400 III



DECORATION



Flue material 130/200



* incl. optional adjustable feet

Specifications

Exterior dimensions WxHxD in mm
1540 x 827 x 452

Fire display WxHxD in mm
1372 x 400 x 257

System
Double Line Burner

Decoration
Log set or White Pebble

Back wall
Back wall smooth steel

Remote
Via app and ITC Remote

Power
10,5 kW

Operating system
Honeywell

Energy label
B

Options (at a surcharge)
Non-reflective glass
Black glass back wall
Adjustable feet
Wall bracket



The perfect fireplace for every situation

MatriX

Discover our extensive selection of MatriX fireplaces, where there's always a perfect fireplace for every situation. With our wide range of sizes and models, we effortlessly find the fireplace that seamlessly fits into your interior.

And that's not all. With the optional Symbio® glow bed lighting, we create a stunning fire display even when the flames are extinguished. You'll be amazed by the rich glow that our glow bed brings.

Moreover, our fireplaces offer high-flaming flames with realistic ceramic logs, evoking a traditional campfire experience. You can enjoy the deep and intense fire display thanks to our 5 switchable burners. With the ability to adjust the heat output to your preference, ranging from a maximum of 10 to a minimum of 4 kW, you can always create a comfortable, warm, and cosy environment.

Whether you're looking for a Front-facing, 2-sided, or 3-sided model, a Room divider, or a See-through model, we have it in our portfolio. Enhance your interior with the perfect MatriX fireplace and let the warmth and ambiance embrace your home.

Why opt for the MatriX?

- Plenty of choice in sizes and models; there is always a MatriX fire to suit your situation.
- With (optional) Symbio® ember bed lighting; for an even richer fire effect with an ember bed, even without the use of the flames,
- High flames with realistic ceramic logs in a traditional camp-fire design.
- 5 adjustable burners; with 2 settings for an extra deep and intense effect,
- Adjustable heat output; from maximum 10 to minimum 4 kW.
- Available in various sizes and as a front, 2 and 3-sided version, Room divider or See-through model.

In other words: a modern gas fire in a classic “camp-fire” design to offer a solution for every imaginable situation.



More information
about the MatriX?
Scan the QR code.



MatriX:

The All-Rounder in traditional campfire setup

The MatriX models are recognisable by their camp-fire design of logs. The fire effect of our MatriX fires is incredibly realistic at any flame height. Thanks to the various dimensions, models and options, the MatriX will meet extremely wide-ranging cosiness requirements.

Faber Log Burner® 2.0 - The pure experience of a camp fire

The Log Burner® 2.0 brings memories of a flickering campfire to life in an unprecedented way; with standing logs in the middle, surrounded by horizontal blocks. You can have the fireplace burn only in the middle, or also around it, if you wish. The fireplace starts up within seconds and the height of the flames can be accurately adjusted. The ash bed is illuminated from below by glow bed lighting. This makes the fire look full and rich, with a warm glow, even with low flames. The glowing of the ash bed can also be switched on separately, like an afterglow fire. You can easily operate the main functions via the supplied remote control or install the Faber app and operate your fireplace via your smartphone or tablet.

Glowing embers lighting - The atmosphere of red-glowing charcoal

Symbio® sends gently pulsating, heat-free light to the charcoal bed above, which glows warm red. The light from the Symbio® module provides extra atmosphere precisely when the flames of the fireplace are low, and even when the warm flames are completely switched off. Thanks to the LEDs, the module is energy-efficient and completely heat-free.

MatriX | 450/500 III

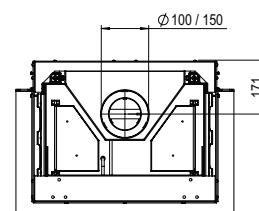


DECORATION



Symbio module

Flue material 100/150



Specifications

Exterior dimensions WxHxD in mm
690 x 927 x 502

Fire display WxHxD in mm
522 x 500 x 308

System
Log Burner 2.0

Decoration
Log set

Back wall
Back wall smooth steel

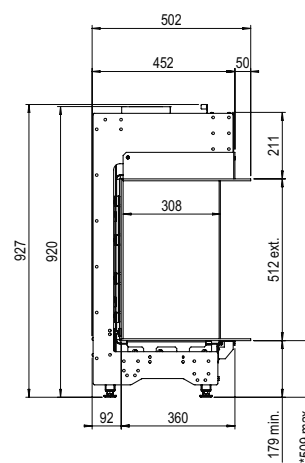
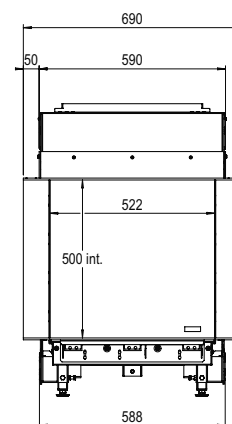
Remote
Symax

Power
6,8 kW

Operating system
Mertik

Energy label
A

Options (at a surcharge)
Symbio Module
Non-reflective glass
Black glass back wall
Adjustable feet
Wall bracket



*Incl. optional adjustable feet



MatriX | 450/650 II



Specifications

Exterior dimensions WxHxD in mm
637 x 1077 x 502

Fire display WxHxD in mm
485 x 650 x 308

System
Log Burner 2.0

Decoration
Log set

Back wall
Back wall smooth steel

Remote
Symax

Power
6,8 kW

Operating system
Mertik

Energy label
A

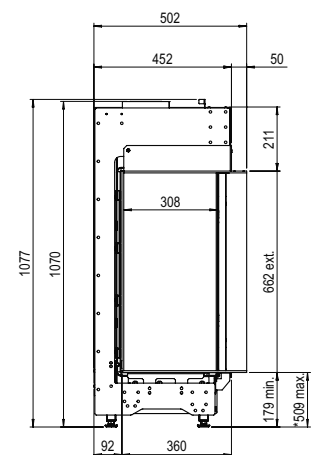
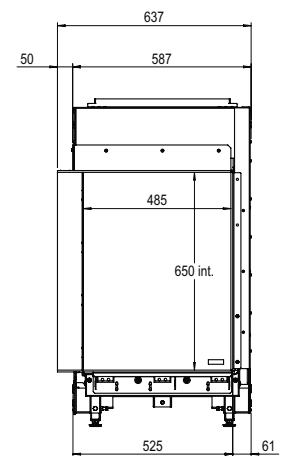
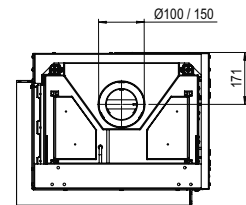
Options (at a surcharge)
Symbio Module
Non-reflective glass
Black glass back wall
Adjustable feet
Wall bracket

DECORATION



Symbio module

Flue material
100/150



* Incl. optional adjustable feet

Matrix | 450/650 III

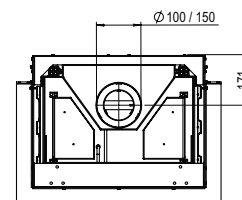


DECORATION



Symbio module

Flue material 100/150



Specifications

Exterior dimensions WxHxD in mm
690 x 1077 x 502

Fire display WxHxD in mm
522 x 650 x 308

System
Log Burner 2.0

Decoration
Log set

Back wall
Back wall smooth steel

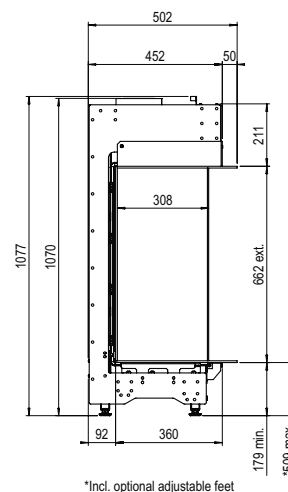
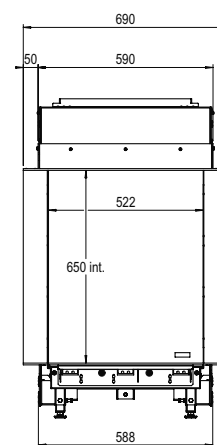
Remote
Symax

Power
6,8 kW

Operating system
Mertik

Energy label
A

Options (at a surcharge)
Symbio Module
Non-reflective glass
Black glass back wall
Adjustable feet
Wall bracket



*Incl. optional adjustable feet





DECORATION



Symbio module



Specifications

Exterior dimensions WxHxD in mm
943 x 1023 x 574

Fire display WxHxD in mm
800 x 500

System
Log Burner 2.0

Decoration
Log set

Back wall
Back wall smooth steel

Remote
ITC Remote

Power
8,1 kW

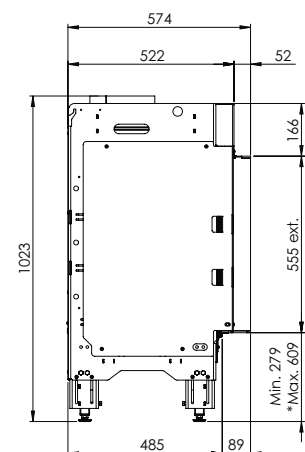
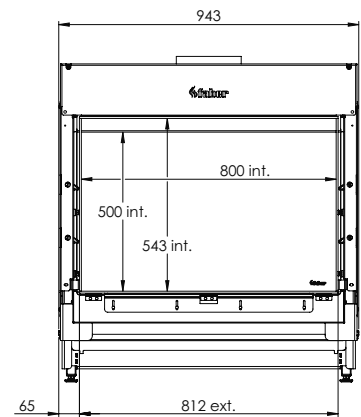
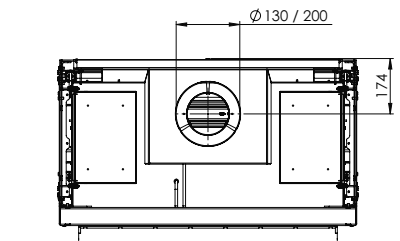
Operating system
Honeywell

Energy label
B

Options (at a surcharge)
Symbio Module
Non-reflective glass
Black glass back wall
Inset depth 30 mm
Adjustable feet
Wall bracket



Flue material
130/200



* Incl. optional adjustable feet

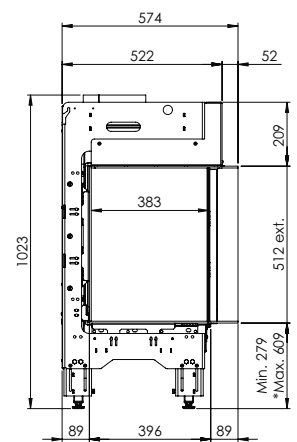
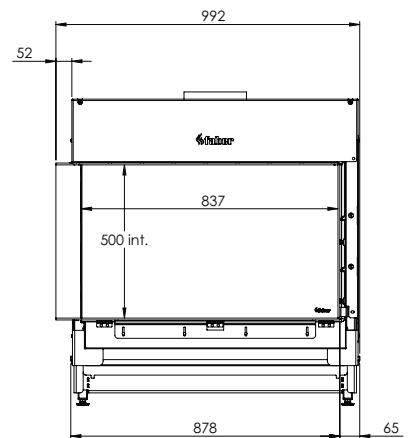
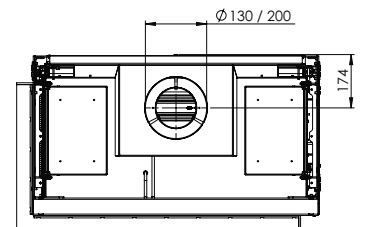


DECORATION



Symbio module

**Flue material
130/200**



* Incl. optional adjustable feet



Specifications

Exterior dimensions WxHxD in mm
992 x 1023 x 574

Fire display WxHxD in mm
837 x 500 x 383

System
Log Burner 2.0

Decoration
Log set

Back wall
Back wall smooth steel

Remote
ITC Remote

Power
8,1 kW

Operating system
Honeywell

Energy label
B

Options (at a surcharge)
Symbio Module
Non-reflective glass
Black glass back wall
Inset depth 30 mm
Adjustable feet
Wall bracket



MatriX | 800/500 III

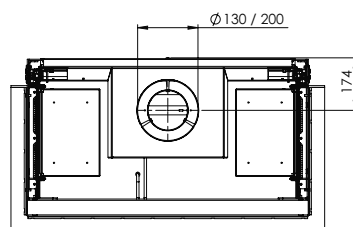


DECORATION



Symbio module

Flue material 130/200



Specifications

Exterior dimensions WxHxD in mm
1040 x 1023 x 574

Fire display WxHxD in mm
872 x 500 x 383

System
Log Burner 2.0

Decoration
Log set

Back wall
Back wall smooth steel

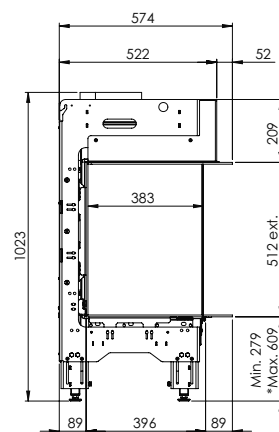
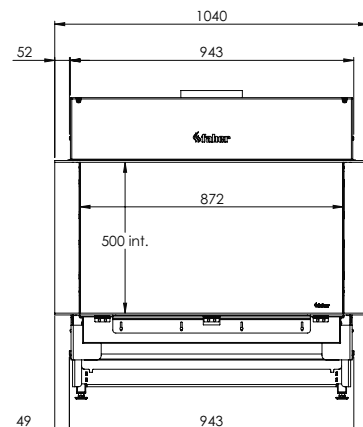
Remote
ITC Remote

Power
8,1 kW

Operating system
Honeywell

Energy label
B

Options (at a surcharge)
Symbio Module
Non-reflective glass
Black glass back wall
Inset depth 30 mm
Adjustable feet
Wall bracket



* Incl. optional adjustable feet

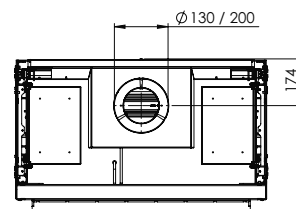


DECORATION



Symbio module

**Flue material
130/200**



Specifications

Exterior dimensions WxHxD in mm
943 x 1175 x 574

Fire display WxHxD in mm
800 x 650

System
Log Burner 2.0

Decoration
Log set

Back wall
Back wall smooth steel

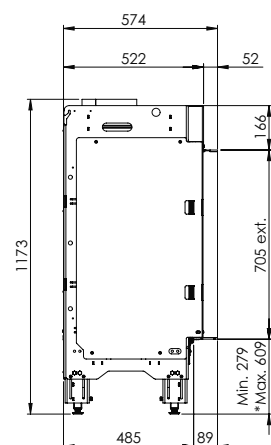
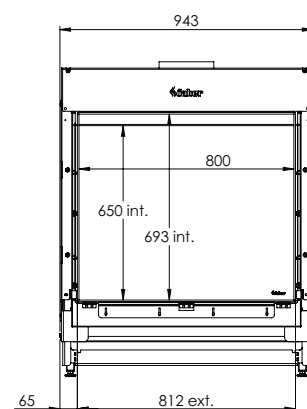
Remote
ITC Remote

Power
10,0 kW

Operating system
Honeywell

Energy label
B

Options (at a surcharge)
Symbio Module
Non-reflective glass
Black glass back wall
Inset depth 30 mm
Adjustable feet
Wall bracket



* Incl. optional adjustable feet



Specifications

Exterior dimensions WxHxD in mm
992 x 1173 x 574

Fire display WxHxD in mm
837 x 650 x 383

System
Log Burner 2.0

Decoration
Log set

Back wall
Back wall smooth steel

Remote
ITC Remote

Power
10,0 kW

Operating system
Honeywell

Energy label
B

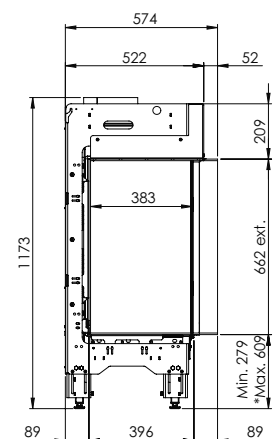
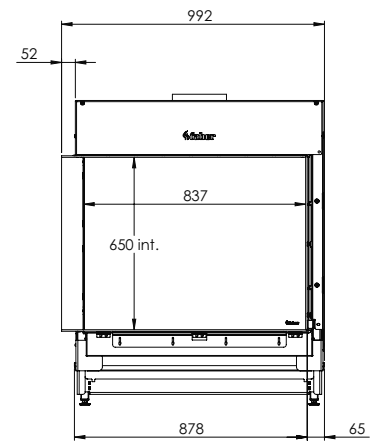
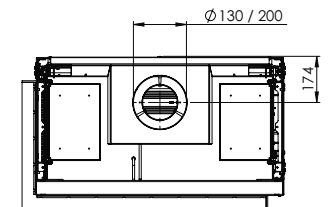
Options (at a surcharge)
Symbio Module
Non-reflective glass
Black glass back wall
Inset depth 30 mm
Adjustable feet
Wall bracket

DECORATION



Symbio module

Flue material
130/200



* Incl. optional adjustable feet

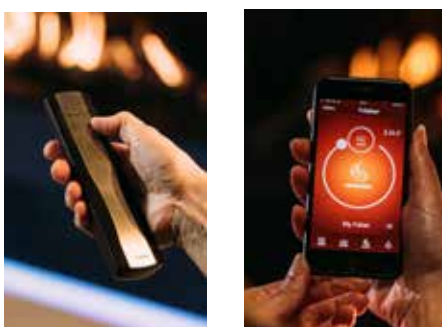
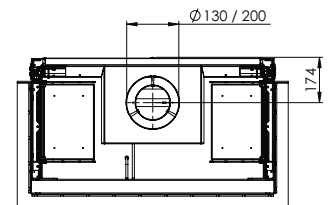


DECORATION



Symbio module

Flue material
130/200



Specifications

Exterior dimensions WxHxD in mm
1040 x 1173 x 574

Fire display WxHxD in mm
872 x 650 x 383

System
Log Burner 2.0

Decoration
Log set

Back wall
Back wall smooth steel

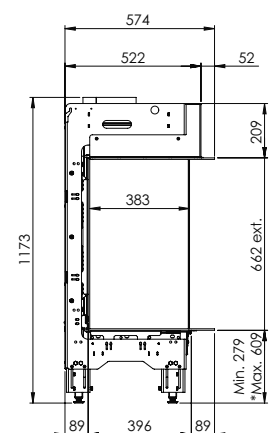
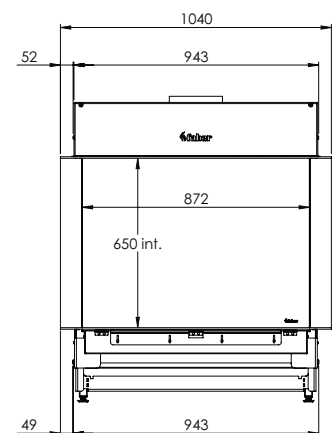
Remote
ITC Remote

Power
10,0 kW

Operating system
Honeywell

Energy label
B

Options (at a surcharge)
Symbio Module
Non-reflective glass
Black glass back wall
Inset depth 30 mm
Adjustable feet
Wall bracket



* Incl. optional adjustable feet

MatriX | 1050/500 I

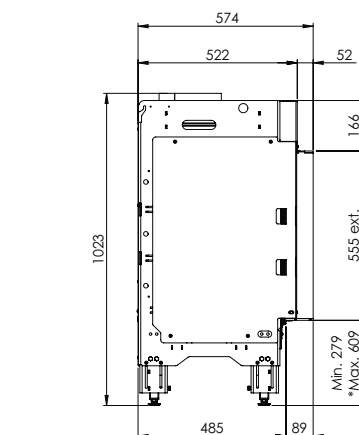
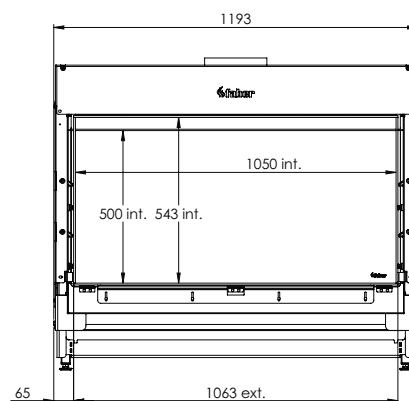
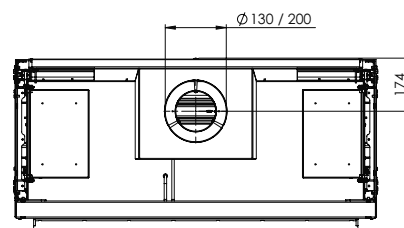


DECORATION



Symbio module

Flue material 130/200



* Incl. optional adjustable feet



Specifications

Exterior dimensions WxHxD in mm
1193 x 1023 x 574

Fire display WxHxD in mm
1050 x 500

System
Log Burner 2.0

Decoration
Log set

Back wall
Back wall smooth steel

Remote
ITC Remote

Power
8,1 kW

Operating system
Honeywell

Energy label
B

Options (at a surcharge)
Symbio Module
Non-reflective glass
Black glass back wall
Inset depth 30 mm
Adjustable feet
Wall bracket

MatriX | 1050/500 II

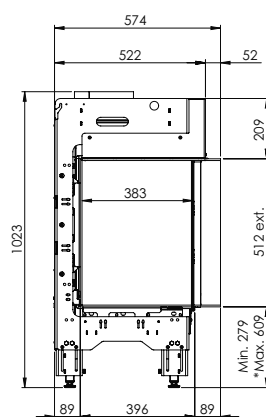
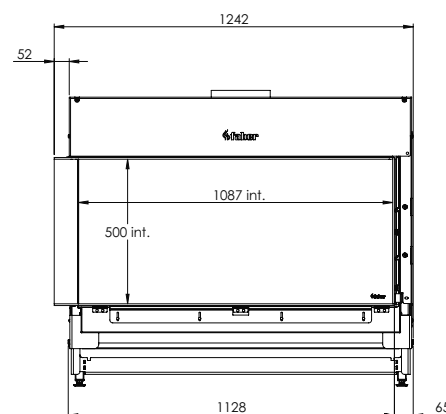
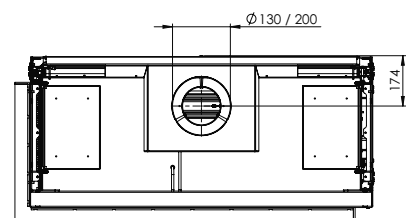


DECORATION

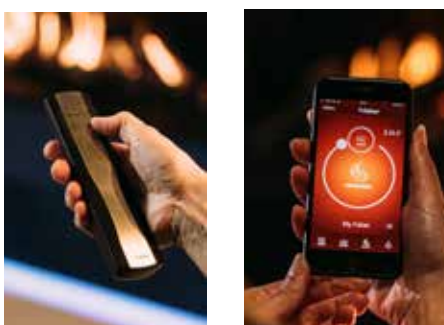


Symbio module

Flue material 130/200



* Incl. optional adjustable feet



Specifications

Exterior dimensions WxHxD in mm
1242 x 1023 x 574

Fire display WxHxD in mm
1087 x 500 x 383

System
Log Burner 2.0

Decoration
Log set

Back wall
Back wall smooth steel

Remote
ITC Remote

Power
8,1 kW

Operating system
Honeywell

Energy label
B

Options (at a surcharge)
Symbio Module
Non-reflective glass
Black glass back wall
Inset depth 30 mm
Adjustable feet
Wall bracket

MatriX | 1050/500 III



Specifications

Exterior dimensions WxHxD in mm
1290 x 1023 x 574

Fire display WxHxD in mm
1122 x 500 x 383

System
Log Burner 2.0

Decoration
Log set

Back wall
Back wall smooth steel

Remote
ITC Remote

Power
8,1 kW

Operating system
Honeywell

Energy label
B

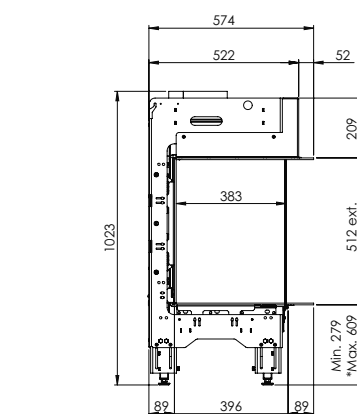
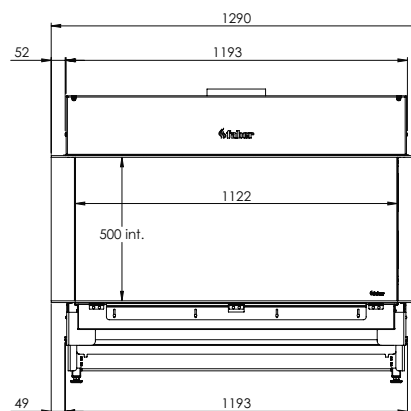
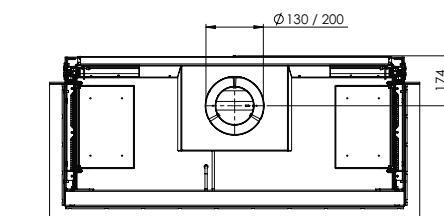
Options (at a surcharge)
Symbio Module
Non-reflective glass
Black glass back wall
Inset depth 30 mm
Adjustable feet
Wall bracket

DECORATION

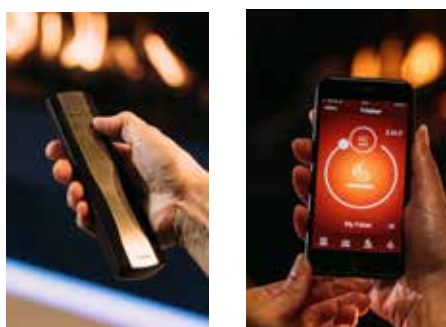


Symbio module

Flue material
130/200



* Incl. optional adjustable feet

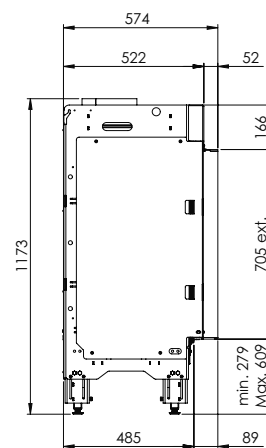
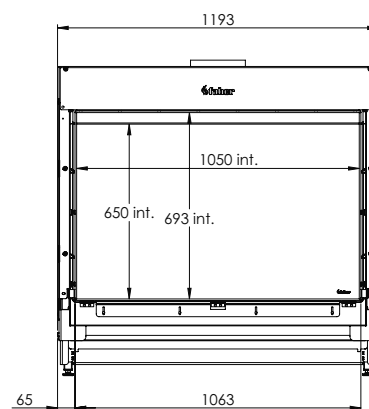
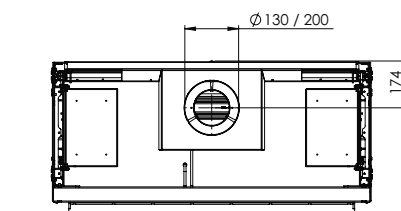


DECORATION



Symbio module

Flue material
130/200



* Incl. optional adjustable feet

Specifications

Exterior dimensions WxHxD in mm
1193 x 1173 x 574

Fire display WxHxD in mm
1050 x 650

System
Log Burner 2.0

Decoration
Log set

Back wall
Back wall smooth steel

Remote
ITC Remote

Power
10,0 kW

Operating system
Honeywell

Energy label
B

Options (at a surcharge)
Symbio Module
Non-reflective glass
Black glass back wall
Inset depth 30 mm
Adjustable feet
Wall bracket

MatriX | 1050/650 II



Specifications

Exterior dimensions WxHxD in mm
1242 x 1173 x 574

Fire display WxHxD in mm
1087 x 650 x 383

System
Log Burner 2.0

Decoration
Log set

Back wall
Back wall smooth steel

Remote
ITC Remote

Power
10,0 kW

Operating system
Honeywell

Energy label
B

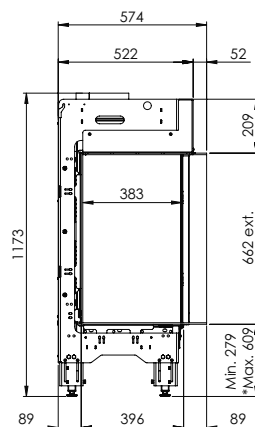
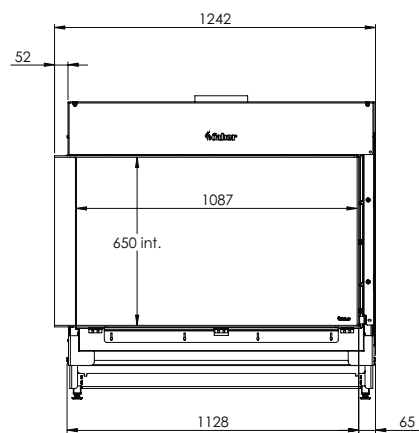
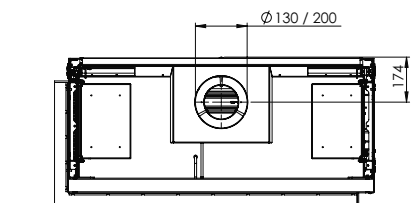
Options (at a surcharge)
Symbio Module
Non-reflective glass
Black glass back wall
Inset depth 30 mm
Adjustable feet
Wall bracket

DECORATION



Symbio module

Flue material 130/200



* Incl. optional adjustable feet

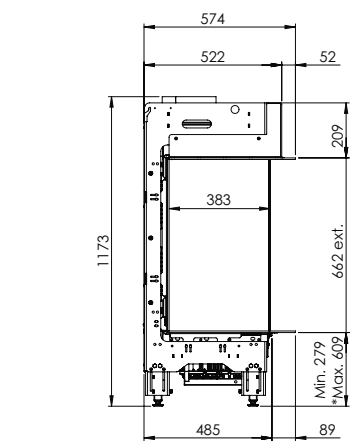
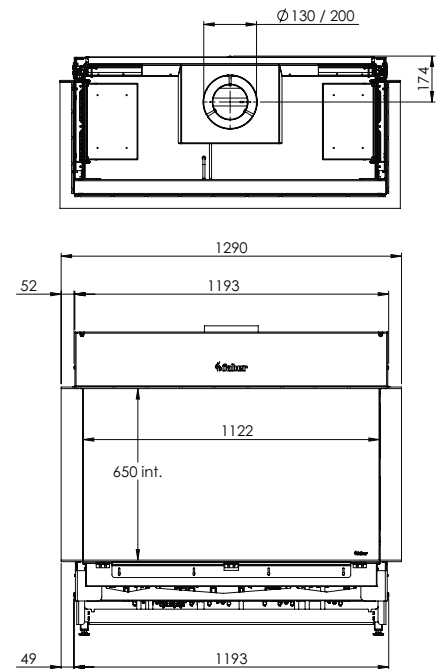


DECORATION



Symbio module

Flue material
130/200



* Incl. optional adjustable feet

Specifications

Exterior dimensions WxHxD in mm
1290 x 1173 x 574

Fire display WxHxD in mm
1122 x 650 x 383

System
Log Burner 2.0

Decoration
Log set

Back wall
Back wall smooth steel

Remote
ITC Remote

Power
10,0 kW

Operating system
Honeywell

Energy label
B

Options (at a surcharge)
Symbio Module
Non-reflective glass
Black glass back wall
Inset depth 30 mm
Adjustable feet
Wall bracket



Faber Freestanding

A freestanding fire is (often literally) the focal point of a room. A place to gather round! Obviously you simply expect the best in every respect. Faber freestanding fires are for demanding enthusiasts. The fire effect is comparable to that of our beloved gas inset fires; full flames at any height, decorated with lifelike decorative logs or white pebbles. Always simple to operate and equipped with the latest technology. The design impresses with its simplicity and careful finish and suits a range of interior designs.

Faber freestanding fires are available in different versions; standing or suspended, with standing or horizontal logs, with three-sided panes, or just a pane at the front. That means plenty of variations, and you can choose what suits your taste and interior. The Faber specialist is there for you throughout the entire process!

Did you find your favourite Faber fire? It will be built, set and tested by Faber, specifically for you, before we deliver it to the Faber specialist who will install it in your home.



More information
about the Freestanding
Fireplaces? Scan the
QR code.



The heart of every Faber fire

The burners of Freestanding

Log Burner® - The 'original'

A Faber Log Burner gives you the fire of your memories or dreams - beautiful, lively flames that flicker along standing or lying logs. It is easy to control the height of the flames with the supplied remote control, which has a number of convenient additional functions. In the freestanding Faber Blokhus, the Log Burner is combined with the Faber Symbio® light module, which lights the ash bed from below and produces an extra warm glow, even when the flames are turned down low or the fire itself is switched off. The Faber Log Burner is a household name in the world of fires.

Emberbed Burner - Sparkling fire

The Faber Emberbed Burner produces a compact, yet crackling fire. You can choose to combine the flames with horizontal decorative logs on a bed of ash and amber-coloured stones that enhance the flames' light or with white pebbles as an alternative. The height of the flames can be set accurately with the supplied remote control. The supplied remote control also has a convenient day timer and thermostat function.



Specifications

Exterior dimensions WxHxD in mm
594 x 944 x 323

Fire display WxHxD in mm
450 x 501

System
Emberbed Burner

Decoration
Log set and White Pebble

Back wall
Back wall smooth steel

Remote
GV60

Power
4,2 kW

Operating system
Mertik

Energy label
A

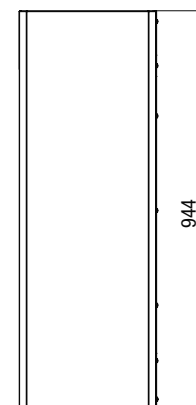
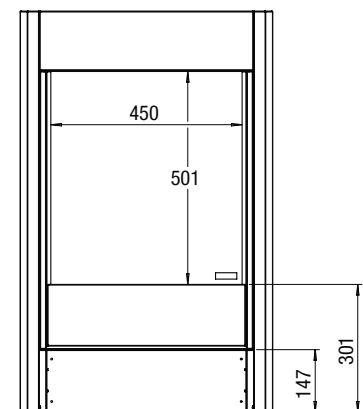
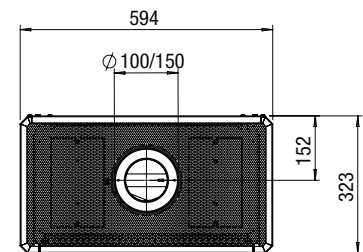
Options (at a surcharge)
-



DECORATION

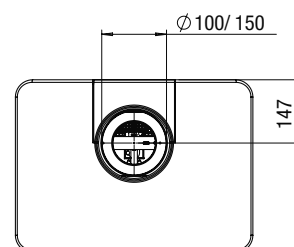


Flue material
100/150





Flue material
100/150



Specifications

Exterior dimensions WxHxD in mm
550 x 820 x 400

Fire display WxHxD in mm
460 x 335 x 250

System
Log Burner

Decoration
Log set

Back wall
Rear wall steel slats

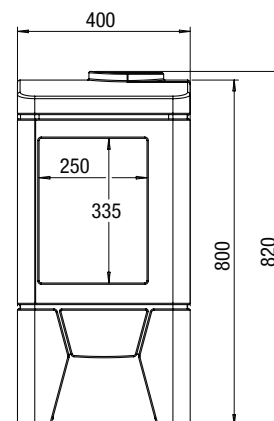
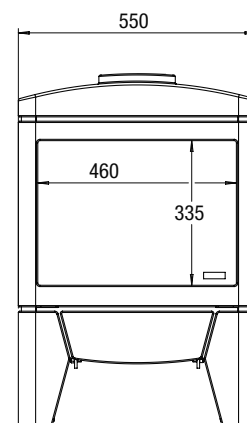
Remote
GV60

Power
6,1 kW

Operating system
Mertik

Energy label
A

Options (at a surcharge)
-





Specifications

Exterior dimensions WxHxD in mm
560 x 980 x 400

Fire display WxHxD in mm
375 x 335 x 230

System
Log Burner

Decoration
Log set

Back wall
Rear wall steel slats

Remote
GV60

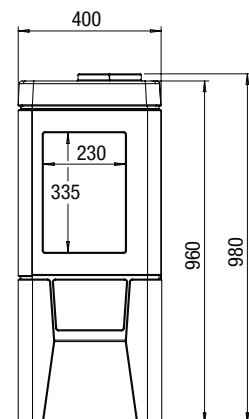
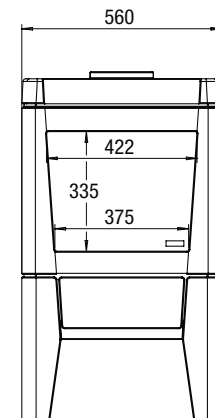
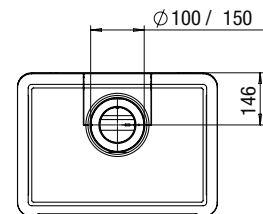
Power
6,1 kW

Operating system
Mertik

Energy label
A

Options (at a surcharge)
-

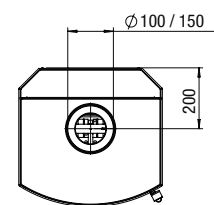
Flue material
100/150



Vaska



Flue material
100/150



Specifications

Exterior dimensions WxHxD in mm
472 x 1125 x 457

Fire display WxHxD in mm
323 x 422

System
Log Burner

Decoration
Log set

Back wall
Back wall smooth steel

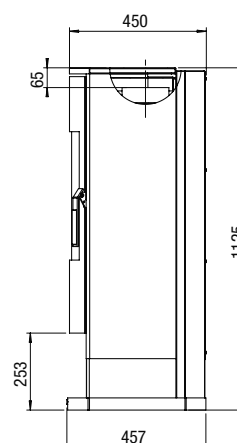
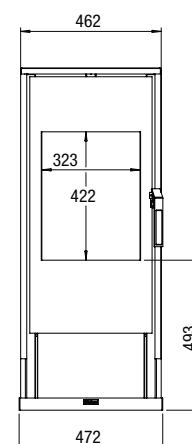
Remote
GV60

Power
6,4 kW

Operating system
Mertik

Energy label
A

Options (at a surcharge)
-





Faber Smart home

Faber's smart accessories enhance your fireplace experience with advanced functionality and ease of use. The Faber App gives you full control of your Faber (e-)MatriX fireplace from your own tablet or phone. You can easily adjust all functions and settings to your liking, including special mood presets and adjustments to lighting and colours.

The Faber Domotica Box turns your fireplace into a masterpiece of convenience and comfort. Connect the box to various systems and seamlessly integrate your fireplace into your smart home. Control your fireplace with your smartphone or tablet and instantly create the perfect atmosphere with a simple touch on the touch panel. Working with ABB/Busch-Jaeger SmartHome, you can also easily integrate other products such as Sonos, Philips UE and Velux.

For hotels, restaurants and similar venues, Faber offers the 2-button wall panel and the 3-button wall panel. These slim and compact remotes replace separate remotes and provide a central and elegant control point. Intuitive buttons give you full control over fireplace settings, enhancing the comfort and ambience of any room. Installation is simple and the wall panels blend seamlessly into any interior. Discover the possibilities of Faber's intelligent accessories and enjoy the ultimate in control and comfort for your fireplace.

Faber App

The Faber App gives you complete control over your Faber (e-)MatriX fireplace. As well as using the remote control supplied, you can also use your own tablet or phone. From the convenient screen of your device, you can manage all the functions and settings of your fireplace.

In addition to the standard functions, the Faber app also offers extensive customisation options. For example, for MatriX (gas) fires, you can choose from five special mood presets: constant, relaxed, campfire, party and eco. If you have an e-MatriX electric model, you can fully customise the lighting and colours via the app.

With the Faber app, you are in control and can adjust all the options to suit your needs. In the event of a malfunction, the app gives the specialist a clear insight into the technical core of your (e-)MatriX fireplace. In addition, the app ensures that you are reminded in good time of periodic maintenance, including the contact details of the specialist or dealer.

Faber Domotica set

Discover the endless possibilities of the Faber Domotica Box! With this smart accessory, your fireplace becomes a true masterpiece of convenience and comfort. The box can be connected to various systems such as KNX, high-end hotel solutions, as well as simple on/off systems. The Faber Home Automation Box seamlessly integrates with your smart home, giving you full control over your fireplace and even allowing you to save energy. Additionally, through our collaboration with ABB/Busch-Jaeger SmartHome, you're also assured of a seamless connection between your Faber fireplace and products from brands like Sonos, Philips UE, and Velux. This way, you create an integrated and advanced smart home that perfectly aligns with your desires and lifestyle. Get the most out of your fireplace and experience a new dimension of fireplace enjoyment with the Faber Home Automation Box. The Faber Home Automation Box is only compatible with recent Faber (e-)MatriX devices.

Faber 3-button panel

Specially designed for simplicity in homes, hotels, restaurants, and similar locations, this panel offers an effortless and stylish way to enhance comfort and ambiance in any space. Thanks to the three intuitive control buttons for on/off, heat, and sound, the panel is highly user-friendly. This wall-mounted panel replaces separate remote controls and provides a centralized and elegant point of control. The easy installation and seamless integration into any interior make it an essential accessory for a refined fireplace experience. Elevate the comfort and ambiance in any room with this stylish and user-friendly control option.

Faber 2-button panel

The Faber 2-button wall panel is a slim and compact remote control that simplifies the operation of Faber (e-)MatriX fireplaces. Specially designed for hotels, restaurants, and similar locations, this panel offers an effortless and stylish way to enhance comfort and ambiance in every room. With two intuitive buttons for on/off control and a dedicated mood switch function, you have command over the fundamental fireplace settings. This wall panel replaces separate remote controls and provides a centralized and elegant point of control. The straightforward installation and seamless integration into any interior make it an indispensable accessory for a sophisticated fireplace experience.



De Faber app

For perfect control

With the Faber App you can control the functions and settings of an (e-)MatriX fire. The Faber App is suitable for the end user, but also for a fire specialist or service engineer. Optimum control from the screen of your own tablet or telephone. With the Faber App, a specialist has a clear overview of the technical heart of an (e-)MatriX fire. Clear diagnostic messages mean that possible faults and non-conformities have been detected and are described already. With current measured values at a glance. That is how the Faber App contributes to rapid fault detection and efficient service provision. The app also ensures that a user is reminded of the need for a periodic service on time, and is even given the contact details. In other words: the Faber App is an essential installation, service and repairs tool for professionals too.

The most important functions per level:

'User' level

(access without a code)

- Thermostat and energy-saving functions
- Weekly programming
- Flame and LED optics
- Mood settings (e.g. Relaxed, Eco or a personal setting)
- Consumption statistics (in m³ or kWh)
- Personal user settings
- Give the fire a name
- Energy-saving functions, such as:
 - Maximum room temperature (gas)
 - Automatic switch-off time
 - Open window/door detection (gas)
 - Calibration with home thermostat (gas)

'Dealer'

- Diagnostic readings, with explanation of the error message
- You can record your own company data in every fireplace you install.
- The user will automatically receive a notification via the App when maintenance is required, together with the dealer contact details
- Code search
- Rapid reset function
- Test mode
- Read and calibrate burner pressure (gas)
- Read out current (gas) measured values, such as:
 - Ionisation and burner pressure
 - Error codes
 - Report for periodic maintenance

'Expert' level (protected with access code)

This level contains the settings of the gas or electrical part and more diagnostics tools. The access code for this level is only provided following additional training by Faber (Glen Dimplex). Furthermore, an annual refresher is compulsory. If you are interested, please ask about the options.





No natural gas connection

but you'd love a gas fire? No problem!

You no longer have a permanent gas connection or you'd rather not be dependent on one, but you'd still like a gas fire in your home? No problem! All Faber gas fires are suitable immediately for use on propane gas or (bio)propane gas. The gas does not come via the gas pipe to the gas fire, but through smartly connected gas bottles. If you would like to find out more about the options of propane or biopropane, please take a look at the Faber website at: **faberfires.com**.

Antibacterial technology

All parts of our products which are in direct contact with water are treated with the special antimicrobial silver ion technology. This technology proactively curbs/disrupts the growth of bacteria/microbes and remains active throughout the life-cycle of the product, to provide sustainable protection. Proven to reduce the growth of bacteria (1) by up to 99.99%.






Hydrogen

The Future

The blending of hydrogen with natural gas has already begun in some countries. In the future, this will become increasingly common. Research has already shown that all current Faber gas fireplaces are suitable for this blending of hydrogen. In short: Faber is ready for it.

Want to know more about the possibilities of hydrogen blending?
Visit the Faber website: **faberfires.com**.

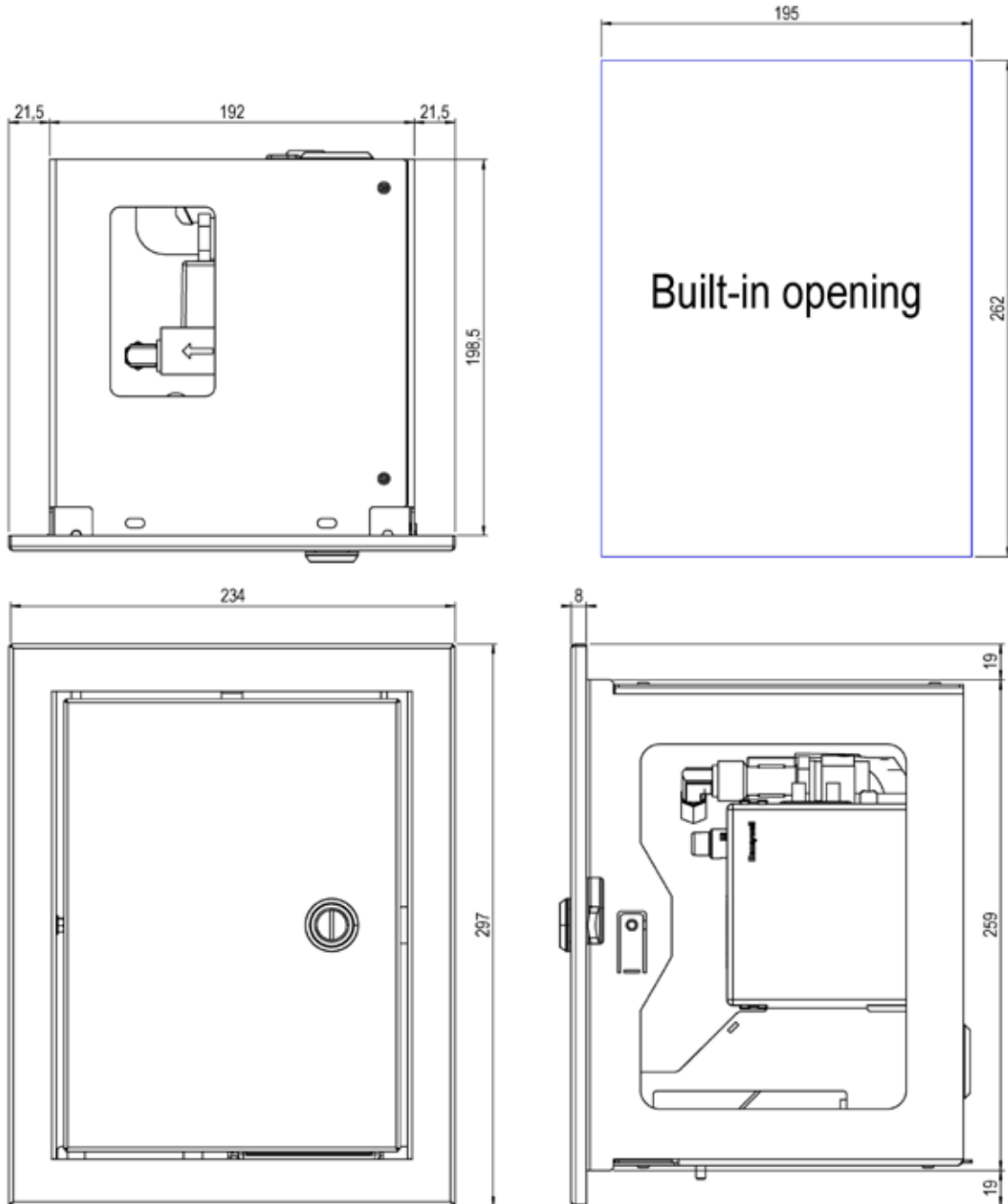
Accessories | Installation materials

| DETAIL | ARTICLE NUMBER | DESCRIPTION |
|---|----------------|---|
|  | A9299463 | Control hatch |
|  <small>A9296400</small> | A9296400 | Set (2) convection grates |
| No image available | 400001562 | Pump accessory kit |
| No image available | 06023397 | Water filter |
| No image available | 20901478 | Extension wire set (AC+DC) L=2m (e-MatriX) |
| No image available | 20901578 | Extension wire set (AC+DC+communication) L=2m (e-MatriX linear) |
| Smart home solutions | | |
|  | A9327900 | Wall panel control e-MatriX (3 buttons) |
|  | A9328100 | Wall panel control e-MatriX (2 buttons) |
|  | 9328000 | Faber Domotics box |

This publication has been made by us with the utmost care. All information in this document may have been misrepresented, modified or supplemented in the meantime. Interim changes are reserved. While supplies last. Glen Dimplex is not responsible for the consequences of actions, decisions or results made solely on the basis of the information contained in this publication. We emphasize that for proper and safe installation and operation, the expertise and advice of an expert must always be obtained and followed, and applicable rules and regulations must always be followed. Our terms of delivery apply to this document and are available on request.
Glen Dimplex Benelux, EU Flame, PO Box 210, NL-8448 AE, Heerenveen, The Netherlands

Honeywell | ITC APP

Below you will find the dimensions of the built-in box for the Honeywell system.



Proud brand of:



Saturnus 8, NL-8448 CC Heerenveen
PO Box 219, NL-8440 AE Heerenveen

t +31 513 656 500
e info@faberfires.com

@faberfires



FaberInternational

