

STOVES 2023

„TIMES MAY
CHANGE,
BUT
my fire
STILL
BURNS.“



AUSTROFLAMM

www.austroflamm.com



AUSTROFLAMM

index

Contents

- 04 A versatile pioneer
- 06 What it's all about
- 08 The designer
- 10 Air+ control
- 12 XTRA heat
- 14 Sustainable

The Stoves

- 16 BONO XTRA
- 18 CLOU XTRA
- 20 CLOU COMPACT
- 22 CLOU COMPACT COOK - NEW
- 24 CLOU XTRA BACK - NEW
- 26 CODY
- 28 DEXTER 2.0 / DEXTER S3
- 32 FLOK 2.0
- 34 FYNN XTRA
- 36 G1
- 38 HEIDI BACK
- 40 IVY 2.0
- 42 JINI XTRA
- 44 KOKO 2.0 / KOKO XTRA 2.0
- 46 KYLIE XTRA
- 48 LOUNGE XTRA
- 50 LUCY COOK
- 53 LUX
- 54 PALLAS / PALLAS BACK
- 56 SINA - NEW
- 58 SINA XTRA - NEW
- 60 SLIM 2.0
- 62 STILA 2.0
- 64 TOWER XTRA 2.0
- 66 UNO XTRA
- 68 WIEN

- 70 Colours / surfaces
- 72 Flue pipes / floor plates
- 74 Overview / models
- 76 Technical Data



AUSTROFLAMM

Fire is the source philosophy of every- thing.

FERDINAND HUEMER,
A MULTIFACETED INNOVATOR.

At the beginning of the 80s, Ferdinand Huemer recognised the need to free wood-burning stoves from their somewhat outmoded image. His declared aim was to develop stoves that would not only provide cosy warmth but would also revolutionise design and efficiency - and founded Austroflamm. By March 1983 he had already begun to supply the first stoves. The company grew rapidly and moved to a new building in 1994, particularly as it was now exporting to Australia and Japan. One year later Austroflamm launched the first pellet stove on European soil - one of many other innovations that were to follow.

This is the entrepreneur, who with a blend of creativity, zest for action, courage and determination transformed his company into the market leader. Then there is the musician Ferdinand Huemer who plays several instruments, composes and writes – one of his



most recent projects being "Masita" - and manages the "Nest" recording studio as a producer. And finally there is the farmer who enjoys an egg for breakfast each morning straight from his own chickens.

What unites these three lifestyles is not only the name and the identical face behind them, but above all one characteristic: passion, expressed through complete commitment and sheer determination to achieve every goal he has set himself.

There is no question about it: *Ferdinand Huemer has dedicated his life to fire and human warmth.*

What matters most: passion, partnership,
team spirit and human warmth.

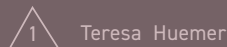


The Austroflamm COMPANY PHILOSOPHY is inseparably linked to its founder and owner Ferdinand Huemer. His esprit, his passion for innovation, his visionary thinking and actions are reflected in the way in which the company has evolved. The enthusiasm for unconditional quality and exceptional design is also evident in his employees, leading time and again to trendsetting technological developments.

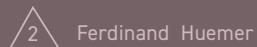
Austroflamm is THE PIONEER in the use of ceramic, developing innovative types of storage materials such as HMS (Heat Memory System), XTRA stored heat and the in-house developed and produced Keramott – and has thus been crucially involved in having significantly reduced the emission values of combustion products for solid fuels in the last 25 years.

Austroflamm is constantly setting new standards in the industry. Sustainable thinking and acting, team spirit and partnership distinguish the company in its dealings with customers, but also within the team.

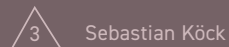
Our guiding principle is respect for others because ultimately,
what really matters in life is human warmth.



Teresa Huemer



Ferdinand Huemer



Sebastian Köck



Doris Pfeiffer



1

2

3

4



Design is our love,
Function our life!



CESARE MONTI, Italian architect and designer. After studying architecture at the Polytechnic University of Turin, he received numerous prizes and awards, including the International Catas Award of 2006 and 1st prize at the Torre Littoria Competition in Turin in 2011. Via Salzburg, he found his way to Linz, where he designs stoves in his studio exclusively for Austroflamm.

Our only teacher must ever be Nature. Cesare Monti

When I conceive my projects I always try to create a game of opposites.

Life and emotions, as well as architecture, are born from a contrast between opposites. Dynamism originates both from static and moving components, as well as the contrast between one side in light and the other side in shade, shade producing the forms and our perceptions of objects. Masculine and Feminine, Full and Empty, Warm and Cold, Lightness and Weight. Nature and Artifice.



For us, *innovation*
is more than just
hot air.

NEW
Air+

Air+ control - your heating butler

EASY & SMART!

WITH FIREBOX TEMPERATURE SENSOR AND AUTOMATIC CONTROL!

Your Air+ controller automatically regulates the air supply after heating up!

- **CONVENIENT:** Fully automatic control of the damper doors for optimum combustion values.
- **ECONOMICAL:** Stops the supply air after combustion and keeps the heat in the stove for a long time.
- **SAFE:** Manually adjustable without tools in the event of power failure.




Heidi BACK, Kylie XTRA, Sina & Sina XTRA → optional with Air+



+ FREE Air+ APP (coming soon)

- various statistical data can be called up
- the current status of the stove is displayed
- information on the optimum time to stoke



A white ceramic cup filled with dark coffee sits on a thick, grey, knitted blanket. The background is softly blurred, showing more of the blanket and a hint of a wooden surface. The overall mood is cozy and warm.

We *keep*
energy *warm*
for a long time!

The sparkling ideas for XTRA a lot of warmth

- 1.) HEAT MEMORY SYSTEM
- 2.) XTRA HEAT STORAGE

1



A MATERIAL WITH OUTSTANDING STORAGE PROPERTIES. With the Heat Memory System, Austroflam has developed a very heavy material (specific weight above 3!) that is particularly effective at absorbing and releasing heat over a long period of time. It goes without saying that this material is patented.

INSTALLATION OF THE MEMORY MASS Equally as important as the storage material itself is its installation. The storage mass must be placed as close as possible to the heat source, i.e. the firebox of the stove. If the storage material is only used as the outer cladding of a stove (for example as a cover plate), then simply not enough energy will reach the material. For this reason, Austroflam also packs the storage mass into the oven. It goes without saying that this method of installation has also been patented.



Heat Memory System: Panels

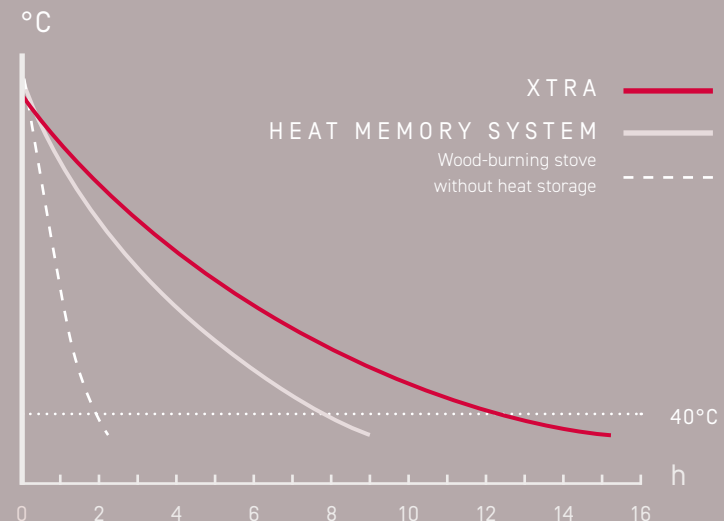
2



WHAT IS PROBABLY THE BEST HEAT MEMORY STORAGE is a further development of the proven Heat Memory System: We combine the Heat Memory System with a special heat exchanger, pack more than 100 kg of it into the stove and equip it with adjustable convection air that can even be shut off. The system is ready to store heat for up to 12 hours!



Tower Xtra 2.0 without cladding and with a heat storage capacity of 130 kg.





We have an *eye*
for *sustainability!*

Clean Combustion for a green future.

Keramott
firebox lining

KERAMOTT

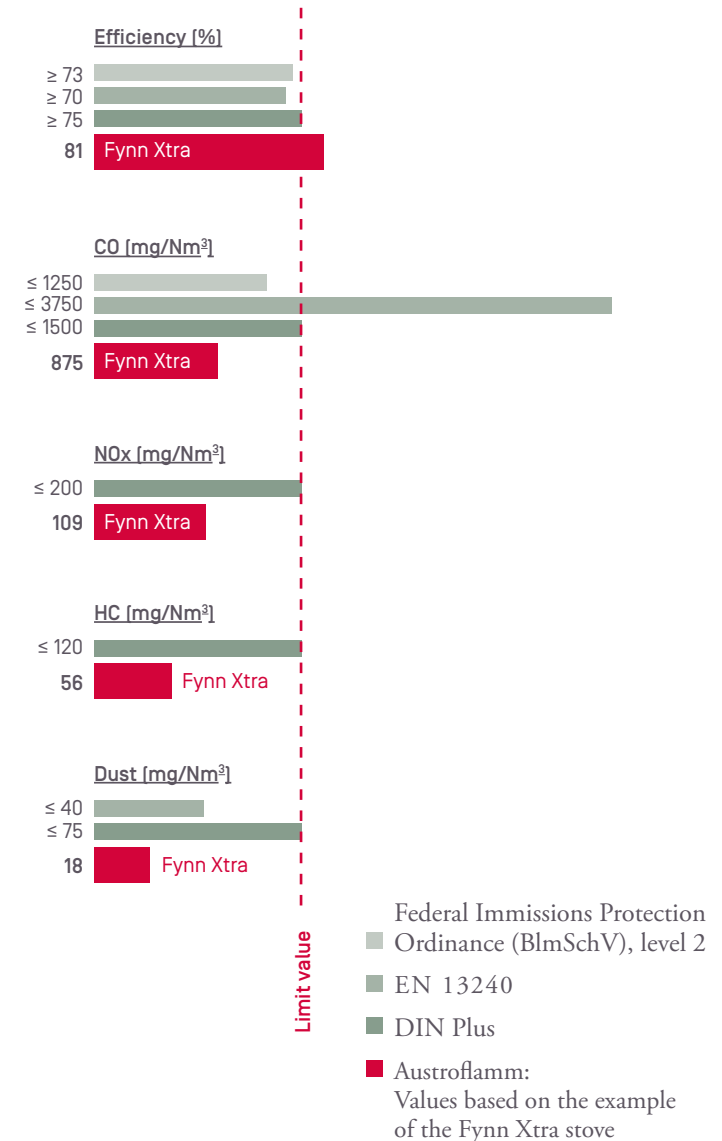
STATE-OF-THE-ART WOOD-BURNING STOVES require not only creative design ideas but also enormous development efforts in the field of combustion technology. A significant example of this is the firebox lining: In all Austroflamm stoves these important elements are manufactured from Keramott.

Keramott has been specially developed and is available exclusively from Austroflamm. The material is characterised by a special ratio between thermal insulation and thermal conduction, which enables high temperatures in the firebox to be reached more quickly. Only this ensures that combustion is "clean" and low in harmful emissions. The material is highly heat-resistant up to approximately 1,200 °C. In addition, the firebox can also "burn itself clean", the lining absorbs less soot than comparable materials and remains pleasantly light. This effect is also enhanced by the surface structure of Keramott.

COMBUSTION TECHNOLOGY

We make every effort - more than we are required to. Throughout most of Europe, the limit values of German Industrial Standard EN13240 must be complied with for domestic heaters. Unfortunately, however, these limit values are easily satisfied and only encompass 2 parameters. The DIN Plus specification is much stricter, and is sometimes required at a regional level. Stricter limit values have to be observed for a set of 5 different values. Since several different emission values are interrelated, the requirements are much higher than those of the European standard, which only takes CO emissions into account.

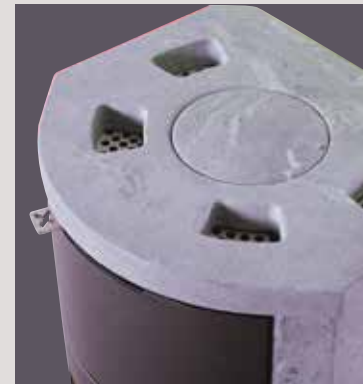
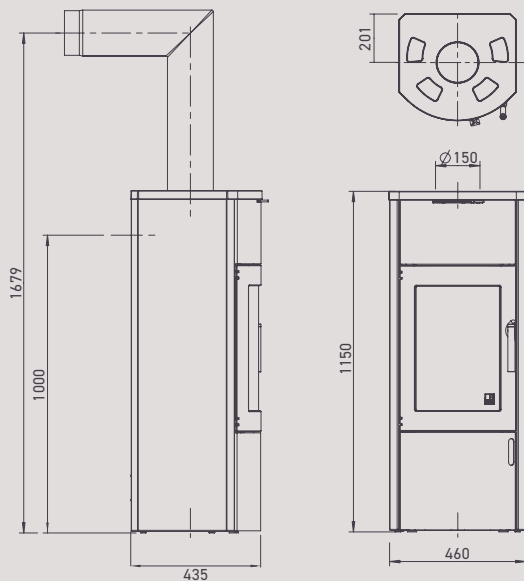
LIMIT VALUES IN ACCORDANCE WITH EN 13240 AND DIN PLUS



BONO XTRA
PURE PLEASURE

FOR PURISTS

Actually, Bono should be called "BUONO" (Italian for good), although "good" would be a slight understatement. "Perfect" is certainly the most fitting description for this all-rounder: ideal heat output for small rooms or even low-energy houses, a panoramic view of the dancing flames and a simple, TIMELESS DESIGN makes Bono Xtra a perfect storage heater for any room and for many years to come.



The soapstone cover (rear connection) of Bono Xtra with lockable convection air vents.



Neatly concealed: behind a panel are the ash pan, the riddling grate actuator and the controls for primary and secondary air.

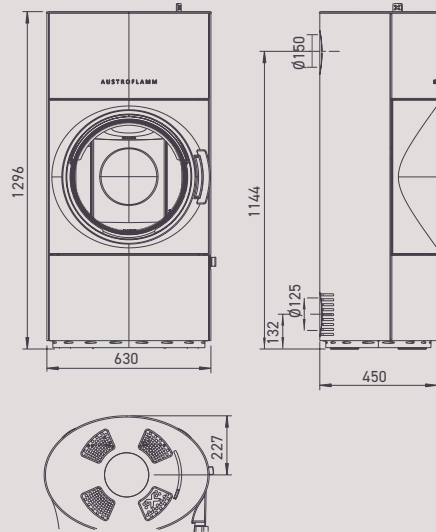


Complete range of fittings: Bono Xtra with soapstone side panels (60 mm thick), soapstone cover and plenty of heat storage.



BONO
XTRA

CLOU XTRA A ROUND AFFAIR



The wood box echoes the design of the round cast-iron door.

FOR LOVERS OF FORM

A GENUINE HIGHLIGHT for everyone who is looking for something completely different: round doors, oval body and a large door handle made of elegant wood to create an extraordinary blend that is certainly not to be found in every living room. Equally special, though not unusual for Austroflamm models, is the fantastic Xtra heat storage system for up to 12 hours of heat retention.

Another striking feature of Clou Xtra: its shallow depth.



Elegant grain of the wooden handle

C L O U X T R A



C L O U COMPACT



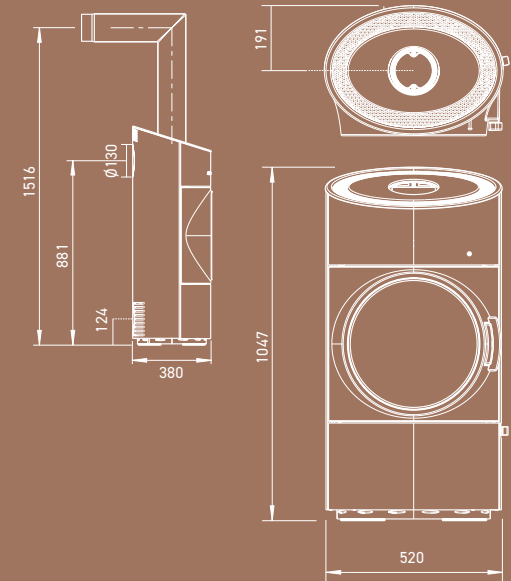
CLOU COMPACT
THE NEW COMPACT CLASS



The wood box echoes the design of the round cast-iron door – a perfect duo.

CLOU COMPACT

THE CLOU FAMILY has welcomed a new addition and is now enriched by Clou Compact. With smaller dimensions and a slightly lower heat output, but by no means less exceptional, Clou Compact does not fall short of its big brother in any way.



C L O U
C O M P A C T C O O K



NEW
CLOU COMPACT
COOK

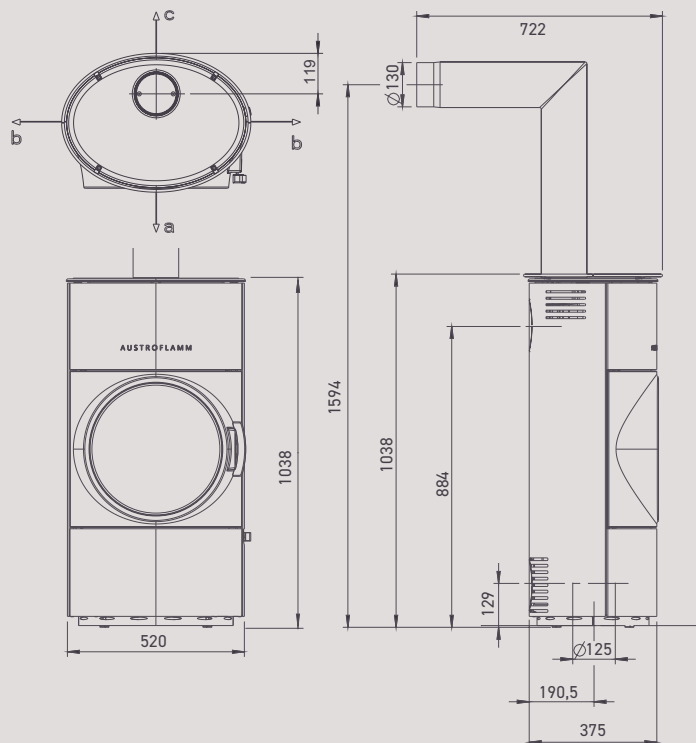
OUR CLOU FAMILY IS
GROWING TASTEFULLY

CLOU COMPACT COOK

It's a well-rounded piece of work: noble, independent and economical! Perfectly executed with prominent cast-iron door and fitted with a solid cast-iron hotplate, it's a real gem. You can also use its crackling fire at the same time for your favourite dishes - that's the CLOU!



Elegant design



Solid cast-iron plate, optionally with guard rail



Flue outlet upwards or backwards



C L O U
X T R A B A C K

AUSTROFLAMM

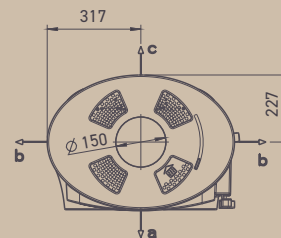
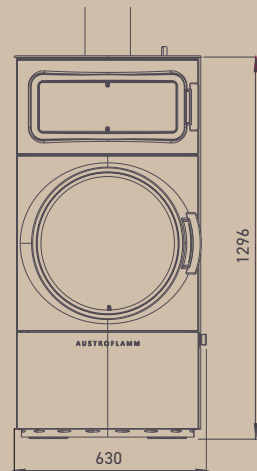
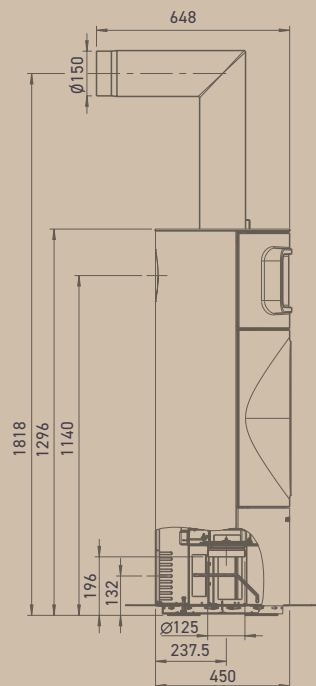
NEU
CLOU XTRA
BACK

TASTEFUL
ALL ROUND



B CLOU XTRA BACK

You should keep that warm!
Our CLOU XTRA BACK not only has the XTRA storage technology for XTRA-economical heating - now it can also take care of your daily bread. A beautiful baking compartment with cast-iron door makes it the recipe for success!



- Solid cast-iron baking compartment door & Keramott lining
- XTRA heat storage - particularly economic

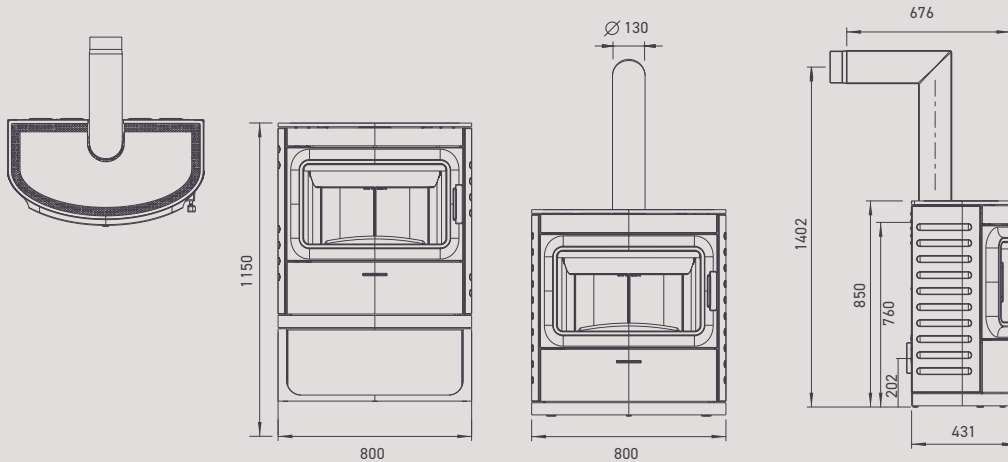


CODY
OUR CENTREPIECE



FOR FIRE WORSHIPPERS

Doesn't every home deserve a centrepiece? Cody, our new member of the family with its impressive firebox, is happy to occupy this place despite its compact design. The large cast-iron door with its curved glass pane provides a view of the crackling fire. And no matter whether ceramic or steel panelling, whether pedestal with a large wood compartment or pure fireplace stove - this show-piece simply WARMS YOUR HEART.



C O D Y



Pictured right: Dexter 2.0 with pedestal, top box and side boxes.



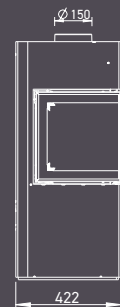
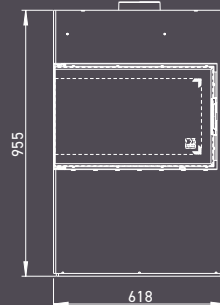
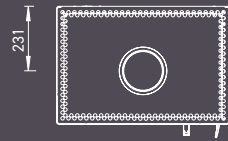
DEXTER 2.0 / DEXTER S3

Do you know “the Thousand and One Nights“ ? Dexter will enchant you with a similar number of possible configurations. You have the choice between a corner door (Dexter 2.0, short side on the left or right) or three-sided glazing (Dexter S3). And the clever side boxes, with their open side also serving as a wood storage compartment, transform Dexter into a genuine furniture system. It’s even possible to pack the top boxes with Heat Memory System.

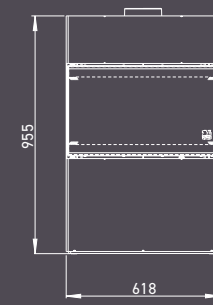


Dexter S3 side view

DEXTER 2.0



DEXTER S3



DEXTER 2.0



INFINITE CONFIGURATIONS

Dexter 2.0 left



Dexter S3



Dexter 2.0 right

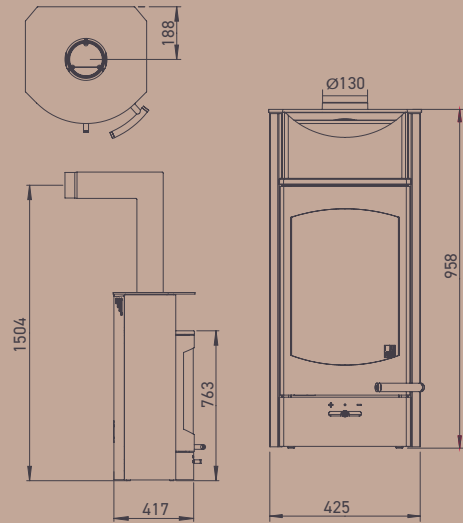


DEXTER S3
CONFIGURATIONS WITHOUT END



DEXTER S3

FLOK 2.0
AMAZINGLY VERSATILE



Flok 2.0 with side cladding, lid and warming compartment made of soapstone.



Practical: A warming compartment for tea or other good things.



With an optional turning plate, Flok 2.0 can be rotated 360°, with or without pedestal.

FLOK 2.0, THE MASTER OF TRANSFORMATION.

Flok 2.0 offers a considerable amount of heat in a compact format: a compact stove with flair and a spacious firebox that provides a good view of the dancing flames. The optional pedestal, which is also available with a turning plate on request, makes Flok 2.0 a genuine master of transformation.

Although still small, it surpasses itself. With a ceramic warming compartment and optional soapstone cladding, Flok 2.0 showcases itself as an individual design. Also available with the proven HEAT MEMORY SYSTEM.

Fig. right: Flok with steel casing and optional base

F L O K 2 . 0



F Y N N

X T R A



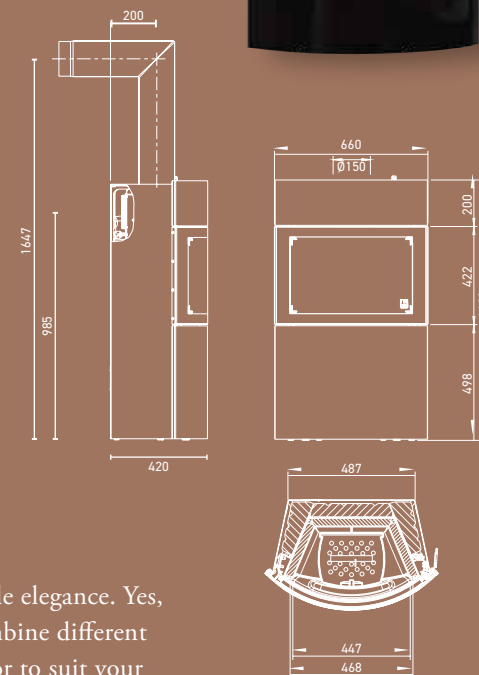
Fynn Xtra with enamel-white groove white ceramic cladding



XTRA storage technology



Fynn Xtra with enamel-white groove white ceramic cladding



PERFECTED FORM

Delicate curves, soft shapes, incredible elegance. Yes, we are talking about Fynn Xtra. Combine different front panels above and below the door to suit your taste. You can choose from steel, glass or ceramic! The 30 cm high pedestal with a practical wood storage compartment is available as an attractive accessory, and our patented Xtra System provides up to 12 hours of storage heat!

F Y N N
X T R A



G 1



G1
MY TASTE EXACTLY

G1 CAST IRON IN ITS MOST BEAUTIFUL FORM

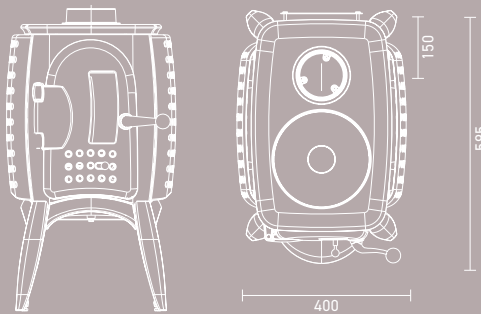
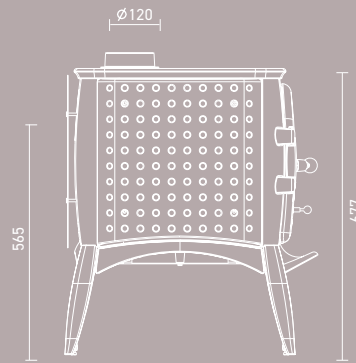
G1 provides a taste of the past in the present. The design evokes past times and awakens many a nostalgic memory. But don't let the retro look fool you. Inside you will find state-of-the-art firing technology. With its practical cooking plate, G1 is guaranteed to be the star at your next tea party.



G1 without convection panel.



G1 with cooking plate and convection panel (accessory).



HEIDI BACK

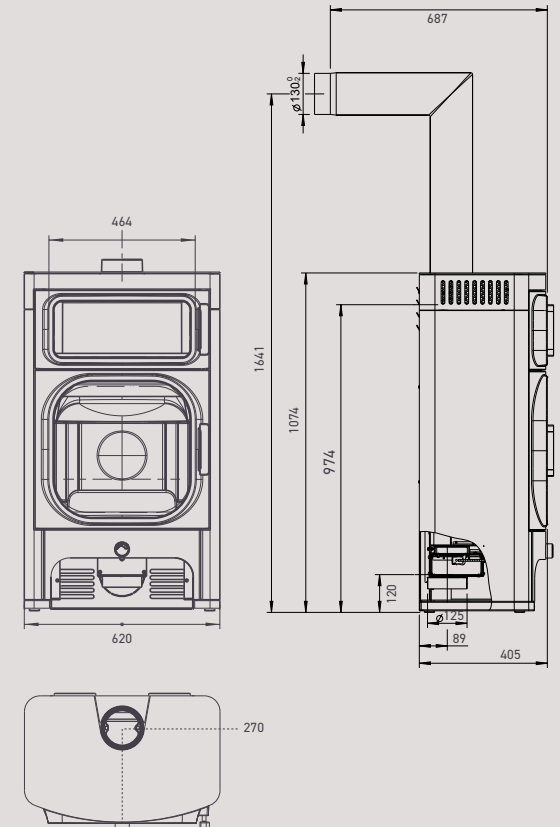
Baking, frying, heating and looking incredibly good at the same time? Only Heidi can do that! A large ceramic hob throughout offers plenty of space to keep everything warm, while the baking compartment can be used to prepare roasts, cakes, pizza or bread, and other delicious foods. Of course, the pleasure factor is not neglected when heating either. A generous cast-iron door allows an unrestricted view of the dancing flames while you enjoy their cosy warmth. The icing on the cake is provided by the new Air+ automatic air control as an accessory, which automatically regulates the air supply and thus ensures perfect heating results!



Fine-grained cast-iron meets elegant wood



Accessory drawer optional





HEIDI
BACK

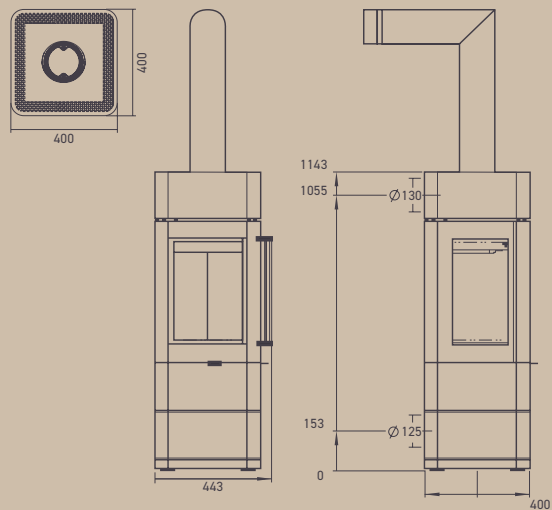
I V Y 2 . 0



IVY FLAMES WITHIN A FRAME

EVERGREEN FOR INDIVIDUALYSTS 2.0

The linear design with its square base loses its hardness thanks to the rounded corners, but not its distinctiveness and elegance. With a wide range of options for enhancement, Ivy becomes more than just a fireplace, it becomes a piece of furniture and an eye catcher, combining functionality with form. The glass inserts on three sides provide a direct view of the flames, literally serving as their frame.



A view into the fire from three sides. A lot of space for firewood and even more: Ivy 2.0 with a plinth box, side boxes and log drawers.



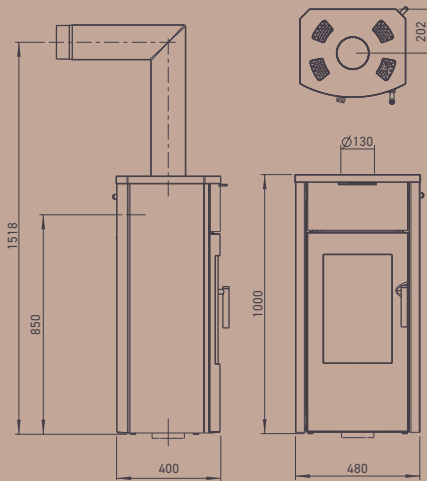
JINI
XTRA



JINI
ANYTHING BUT ORDINARY

JINI / JINI XTRA

Inviting, casual, timeless and snug. With clear lines, simple shapes and perfect proportions, Jini XTRA appeals to everyone who likes an uncomplicated and relaxed life. Extremely sophisticated in terms of combustion technology, it is not only a long-lasting design classic, but also a premium-quality heat source guaranteed to make you feel good. Large-format fire naturally included with up to 12 hours of stored heat!



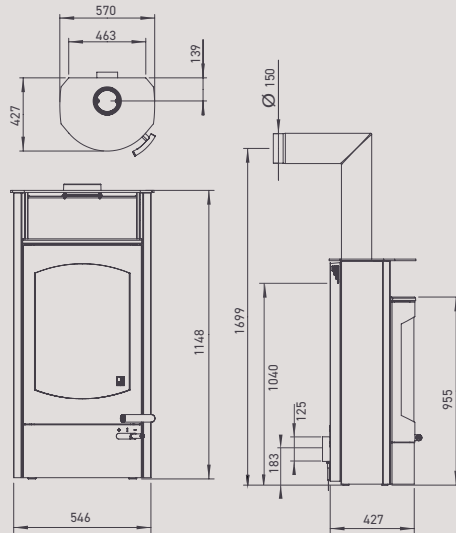
No more bending down:
The air regulator is positioned at
a comfortable height just below
the top plate.



A wooden door handle
that's a pleasure to hold.

KOKO A MODERN CLASSIC

KOKO 2.0

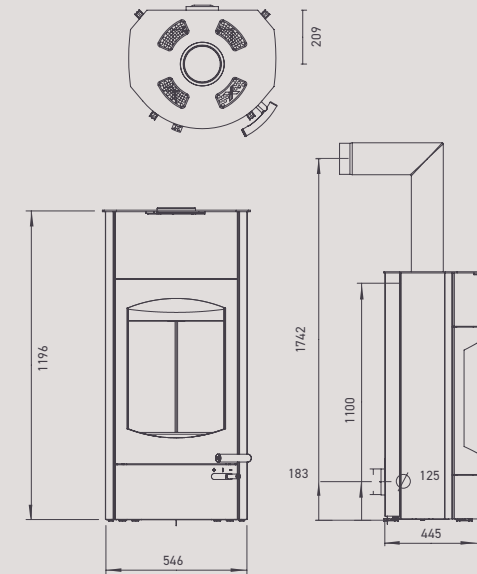


Koko 2.0 with soapstone warming compartment

KOKO XTRA 2.0



Handle and air controller as an elegant combination of stainless steel and wood.



A MODERN CLASSIC - the “little black number“ of our collection so to speak: simple, timeless elegant and guaranteed to be the perfect choice for every occasion and every environment. A matching pedestal is also available on request. The large rounded glass pane offers a maximum view of the flames and the warming compartment helps to prolong those wonderful hours spent in front of the stove with tea or punch. Koko XTRA 2.0 features a wealth of heat storage in place of the warming compartment.

Fig. right
Koko Xtra 2.0 with steel case and optional base

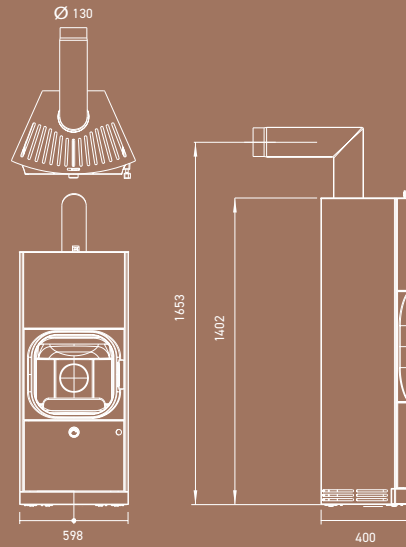
K O K O 2.0 /
K O K O X T R A 2.0



K Y L I E

X T R A





KYLIE XTRA

TIMELESSLY BEAUTIFUL, Kylie Xtra is the ideal complement to every room and personal lifestyle. With its basic conical shape, it tapers towards the back and therefore fits particularly well into corners. The material combination plays with contrasts: The classically robust cast-iron door and soft, finely crafted wooden elements elegantly round off the overall picture. And so that the flames always blaze away to perfection without you having to contribute anything, we have developed the Air+ automatic air control (accessory).



The practical wood storage compartment is concealed behind a panel.



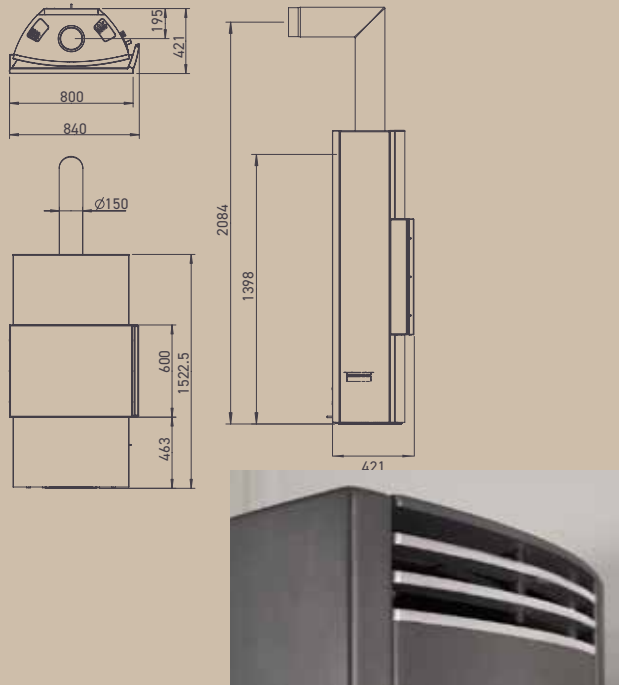
The convection air outlets in the cover can be regulated.

LOUNGE

XTRA



A FIRE IN WIDE-SCREEN FORMAT
THE NEW XTRAVAGANCE



LOUNGE XTRA

The flat screen among our stoves! Gazing at the lounge becomes more appealing and much more relaxing than watching TV: fire in truly wide-screen format. Despite its size, the shallow depth lends the lounge a slim and extremely elegant silhouette. And the unique Xtra heat storage system is on board right from the start.

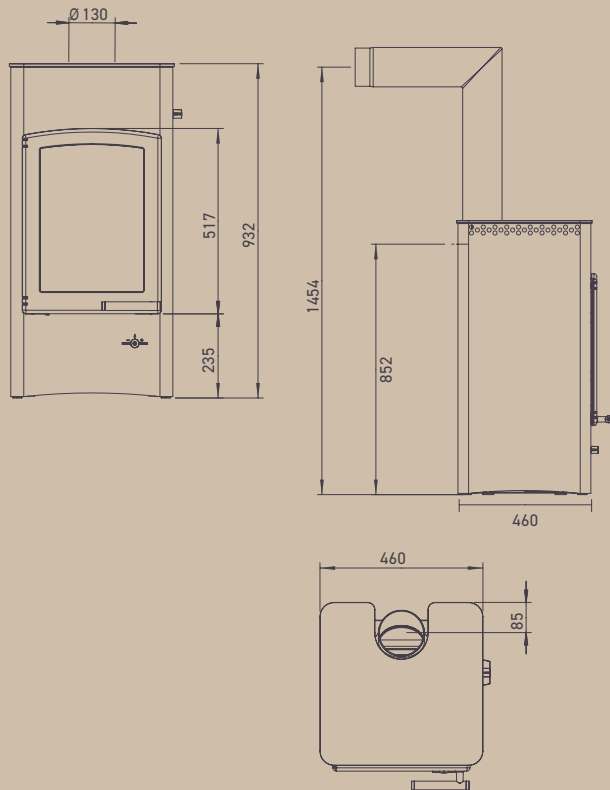


LUCY
COOK



LUCY COOK - 2 STOVES IN ONE

The head chef's recommendation: delicious dishes, prepared with Lucy Cook. The large, full-surface cooking plate offers maximum flexibility for large and small saucepans. And even if you only want to use Lucy Cook for warming up and dreaming, then this is also the ideal solution for you. After all, once the saucepans are removed, you would never know she had a passion for cooking.



You can cook with Lucy Cook, but you don't have to. Even as a traditional stove, its charm will captivate you.



The solid cast-iron door emphasises its robust appearance.



There is space for plenty of saucepans on the cooking plate (46 x 46 cm).

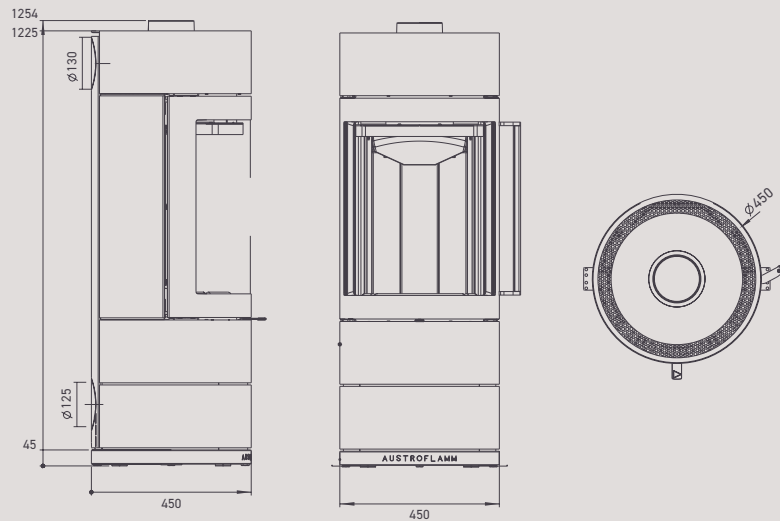
L U X



LUX
A DELUXE ITEM OF FURNITURE IN ITS OWN RIGHT

LUX COMES FROM THE LATIN FOR LUXURY

If you like ROUND SHAPES, then Lux is the perfect choice for you! The circular base and huge curved glass pane show you the play of flames in a wide format. With side boxes that can be attached on the left and right, you can expand Lux to create your own individual furniture system. Practical and beautiful for home accessories, throws, magazines and everything you need for a sense of well-being at home. The wooden handle and pedestal emphasise its warm character and transform the individual attachments into a visual unit.



Small side box left and right and wooden drawer.



Pictured left: already an elegant classic: Lux with top box and large side box and two wooden drawers.

PALLAS
IN THE FOOTSTEPS OF TRADITION

PALLAS / PALLAS BACK

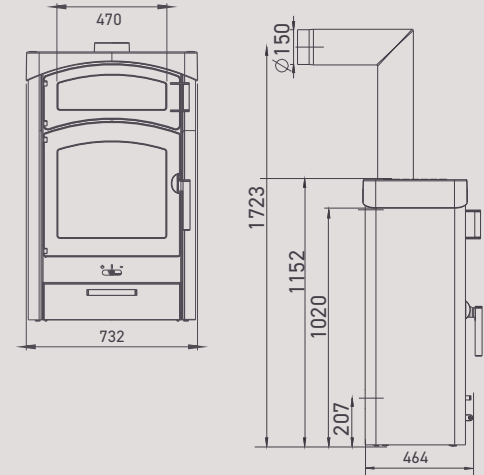
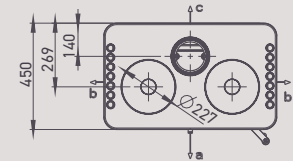
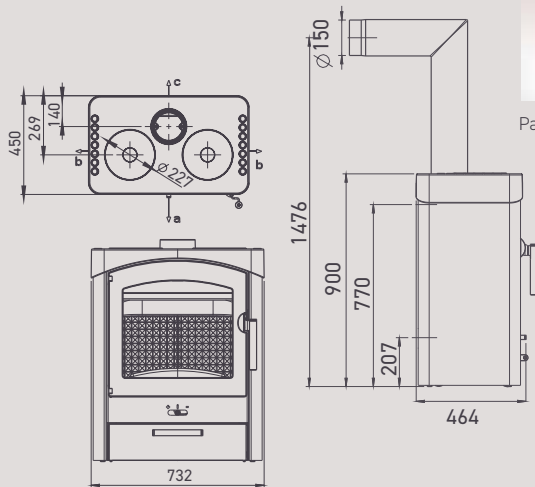
Fancy a romantic chimney fire, a cup of tea and perhaps something to eat as well? Pallas makes it possible! It's not only a charming heat dispenser with its cast-iron hot-plates, but with Pallas Back the most delicious meals can also be prepared thanks to the additional baking compartment. Its classic country house style design make it the perfect accompaniment for the combined kitchen and living room, second home or weekend house.



Pallas with soapstone



Pallas with steel case and 3 hotplates



Log drawer optional



Fig. right: Pallas Back with "earth" ceramic case With cast-iron hotplates, baking compartment and optional log drawer

P A L L A S

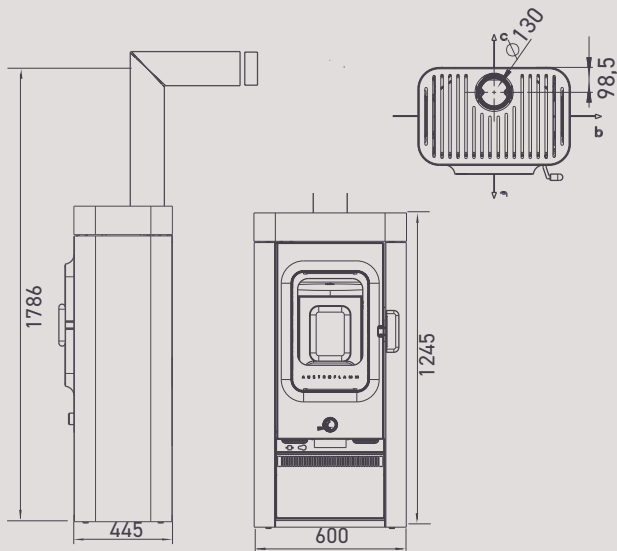
B A C K



HEATING AND SAVING
MAKES SENSE

SINA - SENSIBLE SPACE SAVER!

This stove is captivating with its narrow rounded design and conjures up a great atmosphere without taking up room. The integrated wood storage box lends this little miracle a rustic charm and saves a lot (log) of space!



- optional Air+ system
- integrated wood storage box
- cast-iron double-glazed door



NEW
SINA



S I N A



SINA

XTRA

AUSTROFLAMM

XTRA

NEW
SINA XTRA

WE FIND IT XTRA GOOD
TO SAVE SPACE AND ENERGY

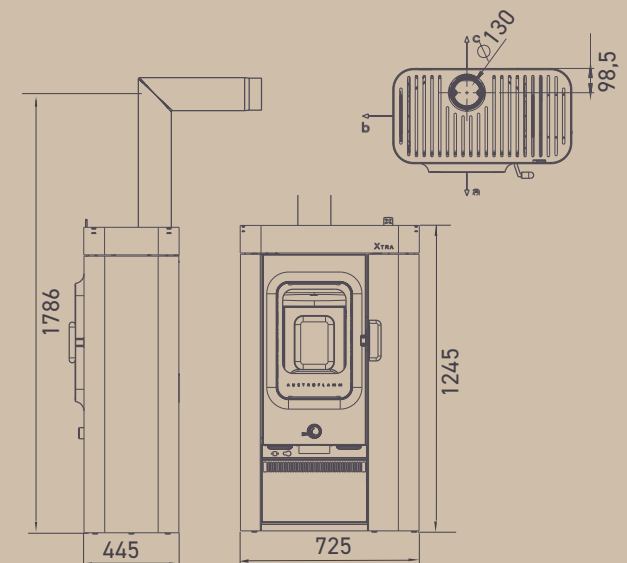
SINA XTRA - SENSIBLE ENERGY SAVER!

This elegant stove is also available in the Xtra version - more stored heat - more saving - more environmental protection.

This wood-saving environmentally friendly storage technology is integrated here in an Xtra-stylish way and provides even longer lasting warmth.



- optional Air+ system
- integrated log storage box
- cast-iron door with double glazing

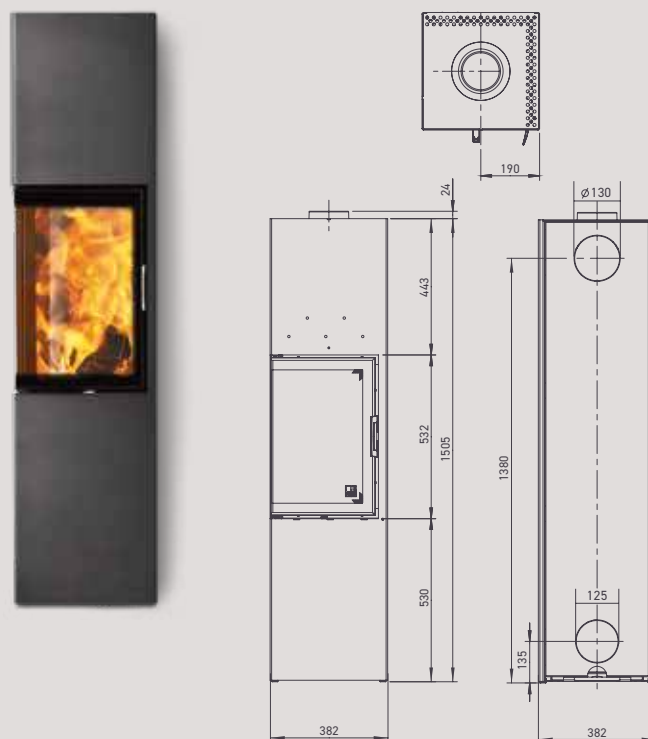




SLIM FOR A SLENDER LOOK

SLIM 2.0

On we go to the next level - Slim 2.0 has arrived! Tall, slender and equipped with a sophisticated door extending across the corner. The door can be hinged on the right or left. As a special bonus, this design piece can even be equipped with the Heat Memory System for heat storage. With its simple square shape, Slim 2.0 also fits easily into corners. And the side box is simply practical for storing wood where you need it.



Door handle and air regulator are satin chrome plated. The door locks automatically.



Slim 2.0 with optional side box, optional extension box and glass serving plate

SLIM

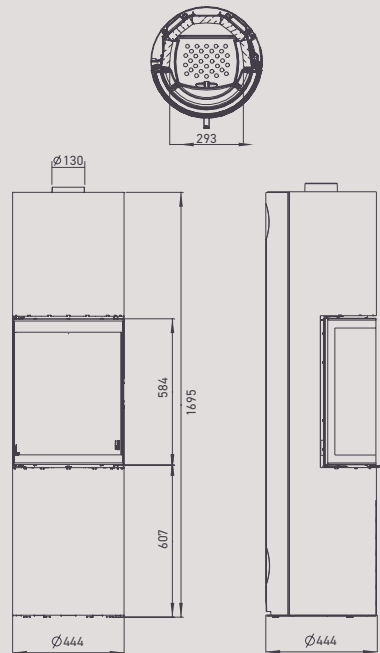
2.0



STILA
2.0



STILA FOR SWEET DREAMS



EXCITINGLY STYLISH

Dream or reality? A total height of 170 cm simply amazes everyone and sometimes even attracts unexpected admirers. With a diameter of only 44 cm, Stila does not take up much space in the room and will enchant you with its extremely elegant and slender appearance. The generous door glass displays the stunning flames in the best possible light and beautiful details, such as the handle embedded in the frame, make Stila an attractive highlight in the room from all angles.



The door glass curves endlessly and shows you a large expanse of fire.

TOWER XTRA HEARTWARMING

TOWER XTRA 2.0

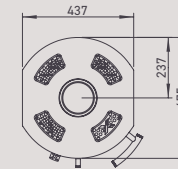
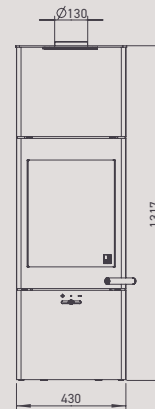
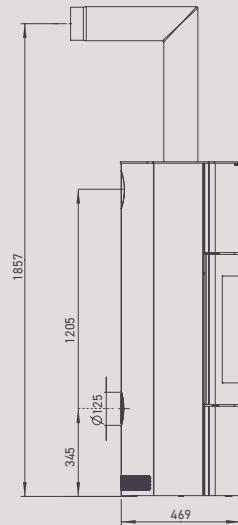
Retreat to the comfort of Tower Xtra 2.0 because the innovative Xtra heat storage technology provides you with up to 12 hours of pleasant warmth. So stoke up the fire in the evening and get up in the morning to find it still comfortably warm, and have breakfast. Its purist design makes Tower Xtra 2.0 an enduring classic and not just a companion for a few hours.



X for the Xtra technology finely crafted in stainless steel.



Innovative: the adjustable convection air ensures the heat dissipates evenly.



The door handle and the single-lever air regulator.

TOWER

XTRA 2.0



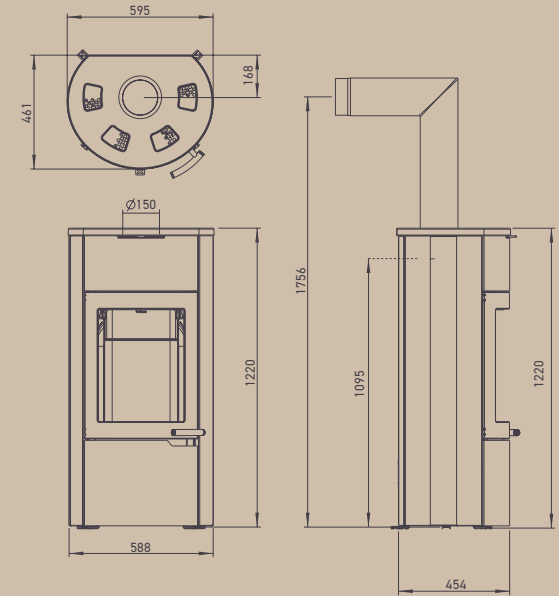
UNO XTRA
ONE LIKE NO OTHER



Uno Xtra with soapstone cladding and top plate, and adjustable convection air vents.



The ashes are disposed of the traditional way using a riddling grate and ash pan.



UNO XTRA

A real giant when it comes to heat output because the Uno Xtra is equipped as standard with the exclusive Xtra heat storage system, which provides up to 12 hours of storage capacity. The Uno is also big in terms of design, regardless of whether in steel, soapstone case or ceramic case. Its soft curvatures simply flatter every room. Round, practical, good

U N O
X T R A



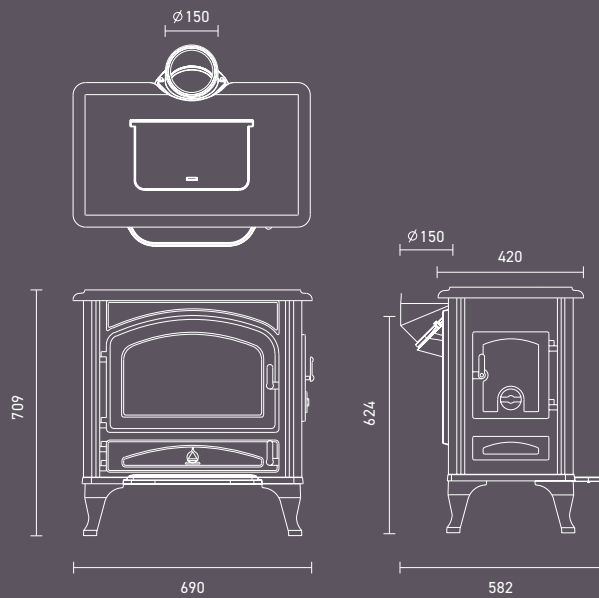


W I E N

HAVE YOU SEEN
VIENNA BY NIGHT

WIEN

The Renaissance of cast-iron. The oldest stove material can also be interpreted in a contemporary way: that's just typical of Austroflam! And we've even included modern firing technology into the bargain.



The separate side door is particularly practical for adding long pieces of wood to the fire.



The ash pan is integrated into the front.

COLOURS / FINISHES

Our stoves are available in a truly extravagant range of ceramic, stone and steel claddings. Many ceramic colours allow you to tailor your stove to your individual home decor. Especially since the complete colour range (see above) is available for all ceramic parts - no matter which type of ceramic or stone stove you choose!

The different ceramic glazes are also remarkable: gloss or satin, in elaborate wipe technique or with a stony structure - the choice is yours!



All ceramic glazes are the result of chemical reactions that cannot be influenced. For this reason, colour deviations are quite common and cannot be considered a flaw. Even fine hairline cracks (craquelure) are part of the natural appearance of all glazed ceramic surfaces. In this sense, each ceramic part is an appealingly unique piece.

Our natural stone cladding in soapstone is also a natural product that is made so unique precisely by small deviations in colour and structure. We have tried to reproduce the colour tones as true to the original as possible.

Should you nevertheless notice any discrepancies, then these are due to deviations in printing technology, and to the natural variations in colour of the ceramic glazes or of the steel claddings.

*The details are not the details,
they are the design.*

DETAILS
COLOURS /
FINISHES

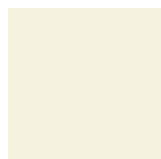


CERAMIC

*with relief structure



enamel white



smoky quartz



sand



hemp



medium sandstone



medium sand
"groove"



earth



fire



ruby red



soapstone



ron corten
[Sam]



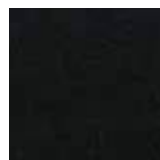
dark basalt



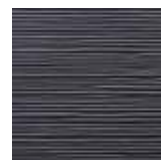
dark basalt
"groove"



black



black satin



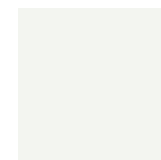
black satin
"groove"
(FYNN XTRA)*



enamel white
"groove"
(FYNN XTRA)*



dark anthracite
(CODY)



bright white
(CODY)

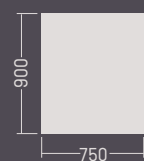
STEIN

FLUE PIPES / BASE PLATES

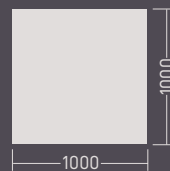
BASE PLATES

Useful accessories to protect your high-quality floors: Our floor plates made of steel (2 mm thick, cast-iron grey, powder-coated and with bevelled edges) or glass (6 mm thick, specially treated, high-strength and robust).

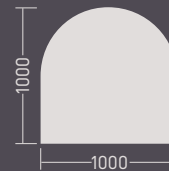
GLASS



Item No. 630036



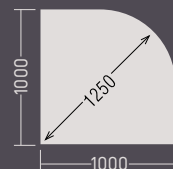
Item No. 630029



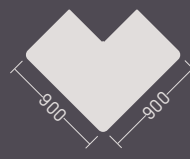
Item No. 630028



Item No. 630066
for Fynn



Item No. 630030



Item No. 630067
for Slim



Item No. 630068
for Clou Xtra

STEEL



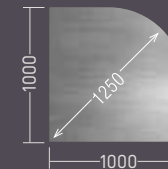
Item No. 630018



Item No. 630024



Item No. 630023



Item No. 630059



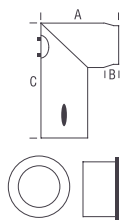
Item No. 630060
for Lounge



Item No. 630062
for Fynn

FLUE PIPES

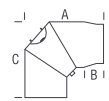
Original Austroflamm flue pipes are made of 2 mm thick high-quality steel. Workmanship focuses on the visible area of application: precise welding seams and highly heat-resistant (up to 600 °C), colour-coordinated special paint. The flue pipes are drawn in at one end. Your specialist dealer will be happy to advise you on the optimum solution for you!



FLUE PIPE SET
consisting of angled pipe with cleaning door and throttle flap, double wall lining and wall rosette.

Item No.	∅	A	B	C
620025	120	500	60	625
620066	130	500	60	635
620067	150	500	60	655
620068	180	500	60	685


Specifications in mm



90°-ELBOWS
(1) Adjustable elbows with cleaning flap
(2) Fixed elbows with cleaning flap

Item No.	∅	A	B	C	
(1)	(2)				
620016	620017	120	245	60	245
620073	620074	130	250	60	250
620044	620045	150	275	60	275
620049	620050	180	295	60	295

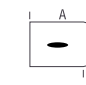
Specifications in mm



WALL ROSETTE

Item No.	∅	A	B
620021	120	195	125
620080	130	195	135
620058	150	225	155
620060	180	285	185
620081	130	400	137
620059	150	400	157

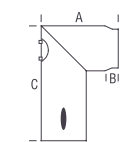
Specifications in mm



FLUE PIPE
with adjustable and lockable throttle flap

Item No.	∅	A	B
620027	120	250	60
620078	130	250	60
620054	150	250	60
620055	180	250	60

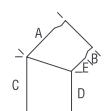
Specifications in mm



ANGLED PIPE
with cleaning door; throttle flap which can be adjusted to 11 positions from 0°- 90° and locked

Item No.	∅	A	B	C
620011	120	500	60	625
620082	130	500	60	635
620032	150	500	60	655
620033	180	500	60	685

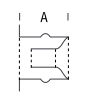
Specifications in mm



45°-ELBOWS
Fixed elbows with cleaning flap

Item No.	∅	A	B	C	D	E
620019	120	122	60	180	128	10
620076	130	130	60	180	120	10
620047	150	140	60	180	110	10
620052	180	146	60	180	104	10

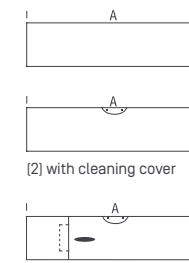
Specifications in mm



DOUBLE WALL LINING
of 1 mm steel

Item No.	∅	A
620026	120	120
620084	130	120
620085	150	135
620086	180	135

Specifications in mm



FLUE PIPE

Item No.	∅	A	B		
(1)	(2)	(3)			
620012		120	250	60	
620072		130	250	60	
620034		150	250	60	
620035		180	250	60	
620013		120	500	60	
620065		130	500	60	
620036		150	500	60	
620037		180	500	60	
620014	620015	120	1000	60	
620069	620070	620071	130	1000	60
620038	620039	620040	150	1000	60
620041	620042	620043	180	1000	60

Specifications in mm

OUR MODELS

AT A GLANCE



BONO XTRA



CLOU XTRA



CLOU COMPACT



CLOU COMPACT
COOK



CLOU XTRA
BACK



CODY



DEXTER 2.0 / S3



KYLIE XTRA



LOUNGE XTRA



LUCY COOK



LUX



PALLAS



PALLAS BACK



FLOK 2.0



FYNN XTRA



G1



HEIDI BACK



IVY 2.0



JINI XTRA



KOKO 2.0



KOKO XTRA



SINA



SINA XTRA



SLIM 2.0



STILA



TOWER XTRA 2.0



UNO XTRA

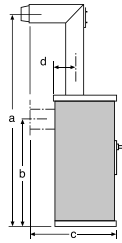


WIEN

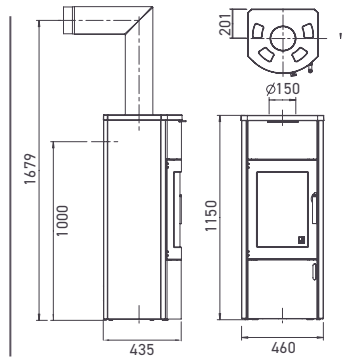
NEW

NEW

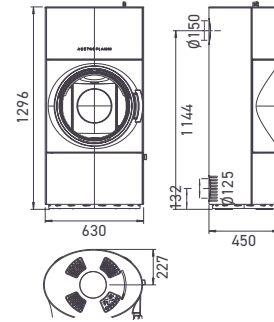
Dimensions a and c:
With original angled pipe



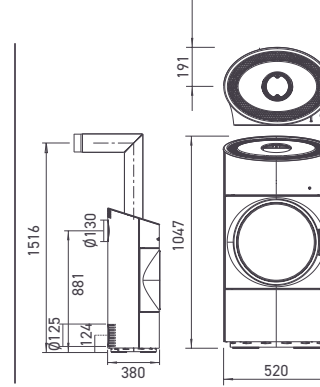
BONO XTRA



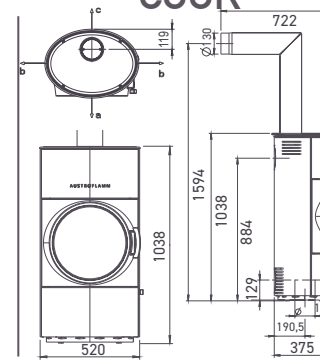
CLOU XTRA



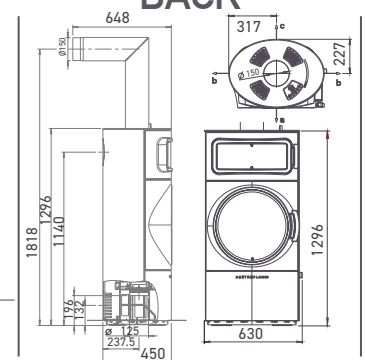
CLOU COMPACT



CLOU COMPACT COOK



CLOU XTRA BACK



DIMENSIONS AND WEIGHT

h x w x d with steel cladding (STM)	1150 x 460 x 435 mm	1296 x 630 x 450 mm	1047 x 520 x 380 mm	1038 x 520 x 375 mm	1296 x 630 x 450 mm
h x w x d with ceramic cladding (KM)	-	-	-	-	-
h x w x d with soapstone cladding (SPM)	1160 x 500 x 434 mm	-	-	-	-
Firebox (h x w x d)	510 x 257 x 260 mm	389 x 432 x 245 mm	349 x 328 x 225 mm	349 x 328 x 225 mm	389 x 432 x 245 mm
Weight STM / KM / SPM	237 / - / 322 kg	273 / - / - kg	114 / - / - kg	120 / - / - kg	324 / - / - kg
Flue pipe outlet	ø 150 mm	ø 150 mm	ø 130 mm	ø 130 mm	ø 150 mm
Flue pipe outlet centre	1000 mm	1144 mm	880 mm	887 mm	1144 mm

OUTPUT

Nominal heat output as per EN 13240	5 kW	8 kW	6 kW	in Prüfung	8 kW
Min. / Max. heating capacity	2,5 / 7 kW	4 / 11 kW	3,5 / 8 kW	in Prüfung	4 / 11 kW
Energy efficiency class	A	A	A	in Prüfung	A
Room heating capacity (depending on the building insulation)	48 - 124 m ³	98 - 255 m ³	65 - 165 m ³	in Prüfung	98 - 255 m ³

FEATURES

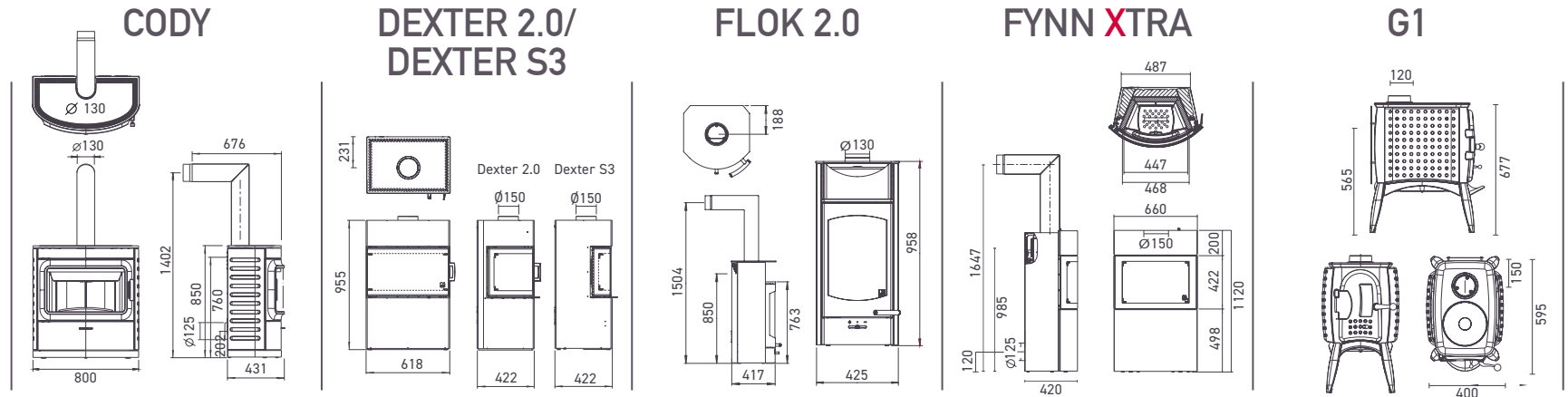
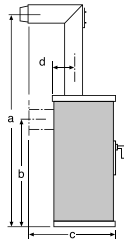
Xtra heat storage technology	Xtra standard / 107 kg	Xtra standard / 120 kg	Xtra -	-	standard / 120 kg Xtra
Heat Memory System	-	-	-	-	-
Type 1	standard, self-locking door	standard, self-locking door	standard, self-locking door	-	-
Cast-iron cover	standard	-	-	-	-
Warming compartment / cooking plate (w x d)	-	-	-	-	-
Baking compartment	-	-	-	-	standard, 445 x 175 x 255 mm
Hot plate	-	-	-	standard	-
KM ceramic cladding	-	-	-	-	-
STM steel cladding	standard	standard	standard	standard	standard
SPM soapstone cladding / cover	accessory	-	-	-	-
Flat bed firing	-	-	-	-	-
Ash pan	standard	-	-	-	-
Ash box	-	standard	standard	standard	standard
Dimensions (as per sketch above left)	a 1679 / b 1000 / c 610 / d 201 mm	a 1813 / b 1144 / c 598 / d 227 mm	a 1516 / b 880 / c 574 / d 189 mm	a 1594 / b 887 / c 520 / d 180 mm	a 1813 / b 1144 / c 598 / d 227
External air connection / operation independent of room air	rear or bottom	rear or bottom	rear or bottom	rear or bottom	rear or bottom

DATA FOR THE CHIMNEY SWEEP

Exhaust gas mass flow	4,2 g/s	6,6 g/s	5,43 g/s		
Exhaust gas temperature	322 °C	357 °C	322 °C		
Minimum discharge pressure at nominal heat output	12 Pa	12 Pa	13 Pa	Values under review, as soon as available, retrievable at www.austroflamm.com	Values under review, as soon as available, retrievable at www.austroflamm.com
At 0.8 times nominal heat output	10 Pa	10 Pa	10 Pa		
Safety distances a/b/c in mm *	900/270/160	1100/420/200	1000/250/150		

*a = front, b = side, c = rear. Applies only to components made of combustible construction materials with a thermal resistance $\leq 1,2 \text{ m}^2 \text{ k/W}$

Dimensions a and c:
With original angled pipe



DIMENSIONS AND WEIGHT

h x w x d with steel cladding (STM)	850 x 800 x 431 mm	955 x 618 x 422 mm	958 x 425 x 417 mm	1120 x 660 x 420 mm	677 x 400 x 595 mm (Guss)
h x w x d with ceramic cladding (KM)	850 x 800 x 431 mm	-	-	-	-
h x w x d with soapstone cladding (SPM)	-	-	986 x 433 x 417 mm	-	-
Firebox (h x w x d)	324 x 514 x 244 mm	390/360 x 480/430 x 240/230 mm	379 x 282 x 248 mm	438 x 447 x 233 mm	300 x 220 x 400 mm
Weight STM / KM / SPM	195/205 kg	145 / 165 / - kg	110 / - / 149 kg	231 / - / - kg	85 / - / - kg
Flue pipe outlet	ø 130 mm	ø 150 mm	ø 130 mm	ø 150 mm	ø 120 mm
Flue pipe outlet centre	760 mm	860 mm	850 mm	985 mm	565 mm

OUTPUT

Nominal heat output as per EN 13240	8 kW	6 kW	4 kW	6 kW	6 kW
Min. / Max. heating capacity	3,5 / 9 kW	3,5 / 8 kW	2,5 / 6 kW	3,5 / 8 kW	3,5 / 8 kW
Energy efficiency class	A +	A	A +	A +	A
Room heating capacity (depending on the building insulation)	82 - 210 m ³	65 - 165 m ³	34 - 88 m ³	65 - 165 m ³	65 - 165 m ³

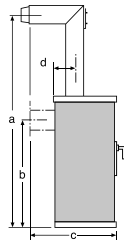
FEATURES

Xtra heat storage technology	Xtra	-	-	-	standard / 105 kg	Xtra	-
Heat Memory System	!!!	accessory / 59 kg	HMS	accessory / 45 kg	HMS	accessory / 77 kg	HMS
Type 1	-	standard, self-locking door	-	standard, self-locking door	-	standard, self-locking door	-
Cast-iron cover	-	-	-	-	-	-	standard
Warming compartment / cooking plate (w x d)	-	-	-	340 x 180 mm, Keramik, Speckstein	-	-	-
Baking compartment	-	-	-	-	-	-	-
Hot plate	-	-	-	-	-	-	standard
KM ceramic cladding	accessory	-	-	-	accessory	-	-
STM steel cladding	standard	standard	standard	standard	standard	-	-
SPM soapstone cladding / cover	-	-	-	accessory	-	-	-
Flat bed firing	-	-	-	-	-	-	standard
Ash pan	-	-	-	-	-	-	-
Ash box	standard	standard	standard	standard	standard	-	-
Dimensions (as per sketch above left)	a 1402 / b 760 / c 676 / d 97 mm	a 1521 / b 860 / c 604 / d 231 mm	a 1504 / b 850 / c 605 / d 188 mm	a 1647 / b 985 / c 582 / d 200 mm	a 1237 / b 565 / c 822 / d 154 mm		
External air connection / operation independent of room air	rear	rear or bottom	rear	rear or bottom	-		

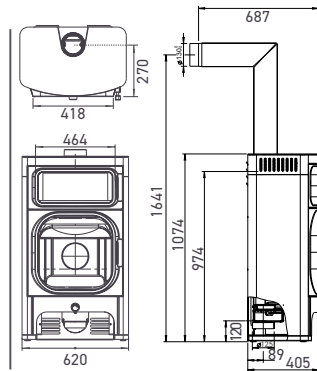
DATA FOR THE CHIMNEY SWEEP

Exhaust gas mass flow	7,8 g/s	6 / 6,41 g/s	3,92 g/s	5 g/s	5,2 g/s
Exhaust gas temperature	296 °C	326 / 302 °C	343 °C	350 °C	330 °C
Minimum discharge pressure at nominal heat output	12 Pa	12 / 11 Pa	12 Pa	12 Pa	12 Pa
At 0.8 times nominal heat output	10 Pa	10 / 8 Pa	10 Pa	10 Pa	10 Pa
Safety distances a/b/c in mm *	800/200/120	1200/800 or 300/100, 1100/600/150	800/150/100	950/330/230	800/700/400

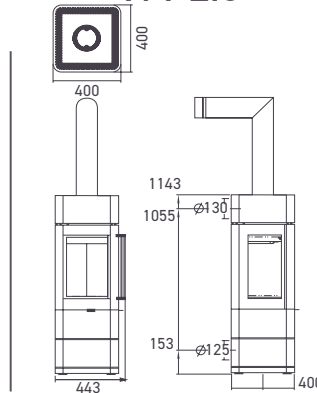
Dimensions a and c:
With original angled pipe



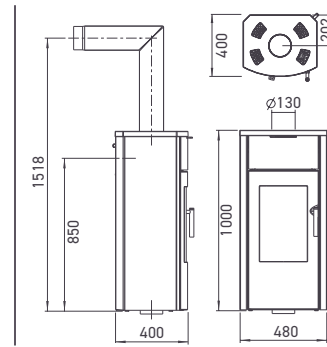
HEIDI BACK



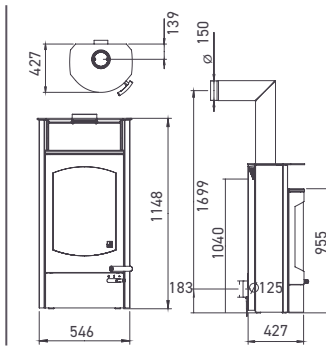
IVY 2.0



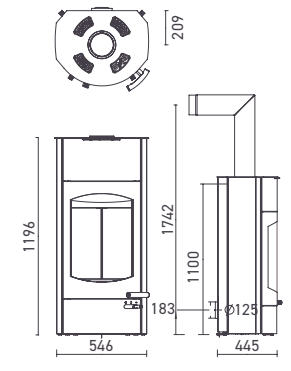
JINI XTRA



KOKO 2.0



KOKO XTRA 2.0



DIMENSIONS AND WEIGHT

h x w x d with steel cladding (STM)	1066 x 620 x 405 mm	1143 x 400 x 400 mm	1000 x 480 x 400 mm	1148 x 546 x 427 mm	1196 x 546 x 445 mm
h x w x d with ceramic cladding (KM)	-	-	-	-	-
h x w x d with soapstone cladding (SPM)	-	-	-	-	-
Firebox (h x w x d)	376 x 418 x 270 mm	439 x 267 x 228 mm	379 x 282 x 224 mm	490 x 388 x 267 mm	490 x 388 x 267 mm
Weight STM / KM / SPM	173 / - / - kg	125 / - / - kg	226 / - / - kg	152 / - / 177 kg	253 / - / - kg
Flue pipe outlet	ø 130 mm	ø 130 mm	ø 130 mm	ø 150 mm	ø 150 mm
Flue pipe outlet centre	974 mm	1055 mm	850 mm	1040 mm	1100 mm

OUTPUT

Nominal heat output as per EN 13240	7 kW	5 kW	4 kW	6 kW	6 kW
Min. / Max. heating capacity	3,5 / 9 kW	2,5 / 7,0 kW	2,5 / 6 kW	3,5 / 8 kW	3,5 / 8 kW
Energy efficiency class	A +	A +	A +	A	A
Room heating capacity (depending on the building insulation)	82 - 210 m ³	48 - 124 m ³	34 - 88 m ³	65 - 165 m ³	65 - 165 m ³

FEATURES

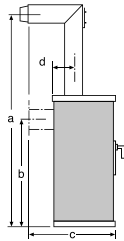
Xtra heat storage technology	Xtra -	-	standard / 101 kg	Xtra -	standard / 115 kg
Heat Memory System	accessory / 66 kg HMS	accessory / 35 kg HMS	-	accessory / 77 kg HMS	-
Type 1	standard, self-locking door	standard, self-locking door	standard, self-locking door	standard, self-locking door	standard, self-locking door
Cast-iron cover	-	-	standard	-	-
Warming compartment / cooking plate (w x d)	-	-	-	425 x 220 mm, ceramic, soapstone	-
Baking compartment	360 x 300 mm	-	-	-	-
Hot plate	-	-	-	-	-
KM ceramic cladding	-	-	-	-	-
STM steel cladding	standard	standard	standard	standard	standard
SPM soapstone cladding / cover	-	-	-	accessory	-
Flat bed firing	-	-	-	-	-
Ash pan	-	-	standard	-	-
Ash box	standard	standard	-	standard	standard
Dimensions (as per sketch above left)	a 1641 / b 974 / c 687 / d 102 mm	a 1699 / b 1055 / c 583 / d 200 mm	a 1518 / b 850 / c 583 / d 202 mm	a 1699 / b 1040 / c 665 / d 139 mm	a 1755 / b 1100 / c 605 / d 209 mm
External air connection / operation independent of room air	rear or bottom	rear or bottom	bottom	rear	rear

DATA FOR THE CHIMNEY SWEEP

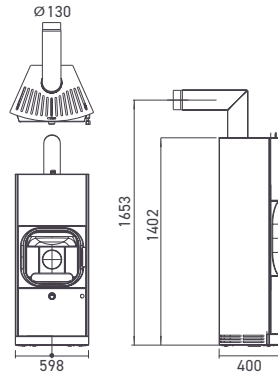
Exhaust gas mass flow	6,41 g/s	4,2 g/s	3,9 g/s	4,4 g/s	4,4 g/s
Exhaust gas temperature	262 °C	263 °C	343 °C	331 °C	331 °C
Minimum discharge pressure at nominal heat output	10 Pa	12 Pa	12 Pa	12 Pa	12 Pa
At 0.8 times nominal heat output	8 Pa	10 Pa	10 Pa	10 Pa	10 Pa
Safety distances a/b/c in mm *	1300/200/200	1000/750/200	1000/270/160	1200/540/180	1200/540/180

*a = front, b = side, c = rear. Applies only to components made of combustible construction materials with a thermal resistance $\leq 1,2 \text{ m}^2 \text{ k/W}$

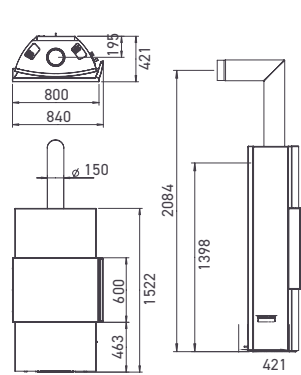
Dimensions a and c:
With original angled pipe



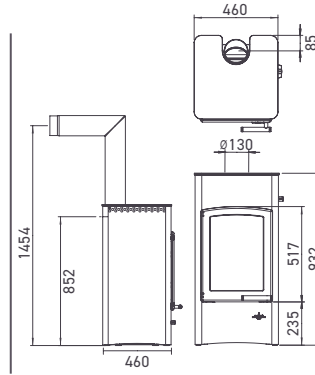
KYLIE XTRA



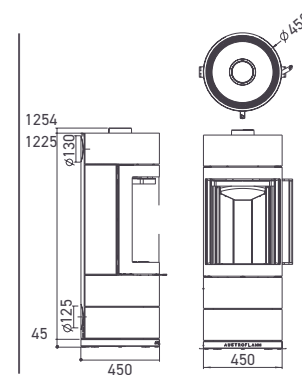
LOUNGE XTRA



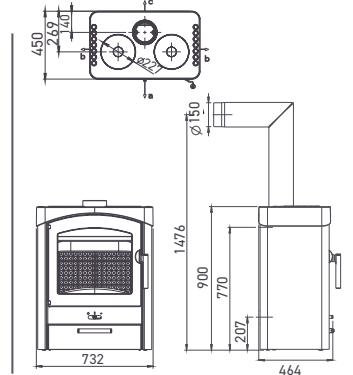
LUCY COOK



LUX



PALLAS



DIMENSIONS AND WEIGHT

h x w x d with steel cladding (STM)	1402 x 598 x 400 mm	1519 x 840 x 421 mm	932 x 460 x 460 mm	1225 x 450 x 450 mm	900 x 732 x 464 mm
h x w x d with ceramic cladding (KM)	-	-	-	-	900 x 732 x 464 mm
h x w x d with soapstone cladding (SPM)	-	-	-	-	900 x 732 x 464 mm
Firebox (h x w x d)	376 x 414 x 270 mm	445 x 600 x 260 mm	471 x 302 x 239 mm	525 x 291 x 291 mm	350 x 520 x 225 mm
Weight STM / KM / SPM	270 / - / - kg	338 Xtra / - / - kg	150 / - / - kg	133 / - / - kg	170 / 205 / 265 kg
Flue pipe outlet	ø 130 mm	ø 150 mm	ø 130 mm	ø 130 mm	ø 150 mm
Flue pipe outlet centre	1004 mm	1395 mm	852 mm	1133 mm	770 mm

OUTPUT

Nominal heat output as per EN 13240	6 kW	8 kW	6 kW	7 kW	9 kW
Min. / Max. heating capacity	3,5 / 8 kW	4 / 11 kW	3,5 / 8 kW	3,5 / 9 kW	4,5 / 13 kW
Energy efficiency class	A +	A	A +	A +	A
Room heating capacity (depending on the building insulation)	65 - 165 m ³	98 - 255 m ³	65 - 165 m ³	82 - 210 m ³	114 - 305 m ³

FEATURES

Xtra heat storage technology	Xtra standard / 135 kg	Xtra standard / 138 kg	-	-	-
Heat Memory System	-	-	-	accessory / 38 kg HMS	accessory / 114 kg HMS
Type 1	standard, self-locking door	standard, self-locking door	standard, self-locking door	standard, self-locking door	standard
Cast-iron cover	-	-	-	-	standard
Warming compartment / cooking plate (w x d)	-	-	-	-	-
Baking compartment	-	-	-	-	-
Hot plate	-	-	standard, 460 x 460 mm	-	standard
KM ceramic cladding	-	-	-	-	accessory
STM steel cladding	standard	standard	standard	standard	standard
SPM soapstone cladding / cover	-	-	-	-	-
Flat bed firing	-	-	-	-	standard
Ash pan	-	-	-	-	-
Ash box	standard	standard	standard	standard	-
Dimensions (as per sketch above left)	a 1654 / b 1004 / c 658 / d 125 mm	a 2066 / b 1395 / c 599 / d 195 mm	a 1454 / b 852 / c 741 / d 85 mm	a 1782 / b 1133 / c 608 / d 225 mm	a 1474 / b 770 / c 663 / d 140 mm
External air connection / operation independent of room air	rear or bottom	rear or bottom	rear	rear or bottom	rear

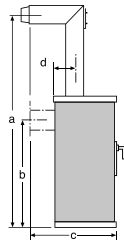
DATA FOR THE CHIMNEY SWEEP

Exhaust gas mass flow	4,67 g/s	6,5 g/s	4,9 g/s	6,1 g/s	9,2 g/s
Exhaust gas temperature	297 °C	330 °C	290 °C	273 °C	310 °C
Minimum discharge pressure at nominal heat output	10 Pa	12 Pa	12 Pa	12 Pa	12 Pa
At 0.8 times nominal heat output	8 Pa	10 Pa	10 Pa	10 Pa	10 Pa
Safety distances a/b/c in mm *	1200/200/200	800/50/50	800/100/100	1000/590/100	800/200/200

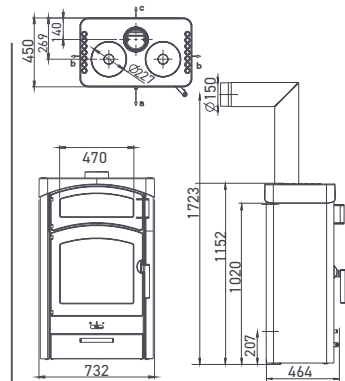
NEW

NEW

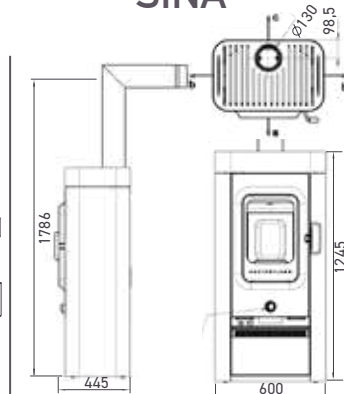
Dimensions a and c:
With original angled pipe



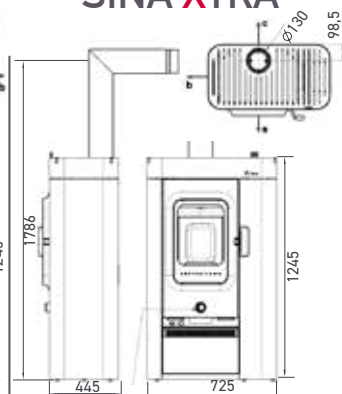
PALLAS BACK



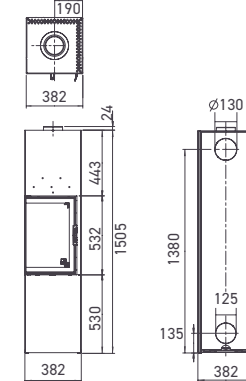
SINA



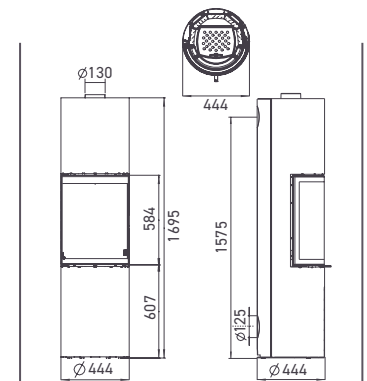
SINA XTRA



SLIM 2.0



STILA



DIMENSIONS AND WEIGHT

h x w x d with steel cladding (STM)	1152 x 732 x 464 mm	1245 x 600 x 445 mm	1245 x 725 x 445 mm	1505 x 382 x 382 mm	1695 x 444 x 444 mm
h x w x d with ceramic cladding (KM)	1152 x 732 x 464 mm	-	-	-	-
h x w x d with soapstone cladding (SPM)	1152 x 732 x 464 mm	-	-	-	-
Firebox (h x w x d)	350 x 520 x 225 mm	371 x 396 x 267,4 mm	371 x 396 x 267,4 mm	550 x 262 x 252 mm	558 x 291 x 291 mm
Weight STM / KM / SPM	207 / 225 / 325 kg	137 / - / - kg	323 / - / - kg	140 / - / - kg	142 / - / - kg
Flue pipe outlet	ø 150 mm	ø 130 mm	ø 130 mm	ø 130 mm	ø 130 mm
Flue pipe outlet centre	1020 mm	1135 mm	1135 mm	1380 mm	1575 mm

OUTPUT

Nominal heat output as per EN 13240	9 kW	6 kW	6 kW	5 kW	5 kW
Min. / Max. heating capacity	4,5 / 13 kW	3,5 / 8,0 kW	3,5 / 8,0 kW	3 / 7 kW	2,5 / 7 kW
Energy efficiency class	A	A+	A+	A+	A+
Room heating capacity (depending on the building insulation)	114 - 305 m ³	65 - 165 m ³	65 - 165 m ³	48 - 124 m ³	48 - 124 m ³

FEATURES

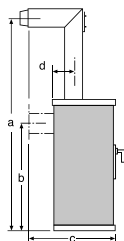
Extra heat storage technology	Xtra				Xtra			
Heat Memory System	!!!	accessory / 114 kg	HMS	!!!	accessory / 68 kg	HMS	!!!	standard / 148 kg
Type 1		standard			standard, self-locking door			accessory / 60 kg
Cast-iron cover		standard			standard			HMS
Warming compartment / cooking plate (w x d)		standard			standard, self-locking door			accessory / 40 kg
Baking compartment		470 x 302 x 180 mm			standard			HMS
Hot plate		-			standard			HMS
KM ceramic cladding		accessory			standard			HMS
STM steel cladding		standard			standard			HMS
SPM soapstone cladding / cover		-			standard			HMS
Flat bed firing		standard			standard			HMS
Ash pan		-			standard			HMS
Ash box		-			standard			HMS
Dimensions (as per sketch above left)		a 1723 / b 1020 / c 663 / d 140 mm			a 1786 / b 1135 / c 678 / d 98,5			standard
External air connection / operation independent of room air		rear			rear or bottom			standard
					rear or bottom			standard
					rear or bottom			standard
					rear or bottom			standard
					rear or bottom			standard

DATA FOR THE CHIMNEY SWEEP

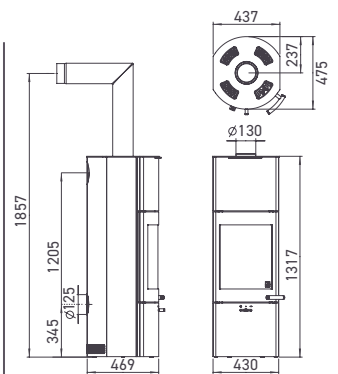
Exhaust gas mass flow	9,2 g/s	4,4 g/s	4,4 g/s	5,8 g/s	4,1 g/s
Exhaust gas temperature	310 °C	271 °C	271 °C	237 °C	311 °C
Minimum discharge pressure at nominal heat output	12 Pa	12 Pa	12 Pa	12 Pa	12 Pa
At 0.8 times nominal heat output	10 Pa	10 Pa	10 Pa	10 Pa	10 Pa
Safety distances a/b/c in mm *	800/200/200	1000/250/150	1000/50/150	900/230/230	wall 1000/610/120, corner 800/120/-/700

*a = front, b = side, c = rear. Applies only to components made of combustible construction materials with a thermal resistance $\leq 1,2 \text{ m}^2 \text{ k/W}$

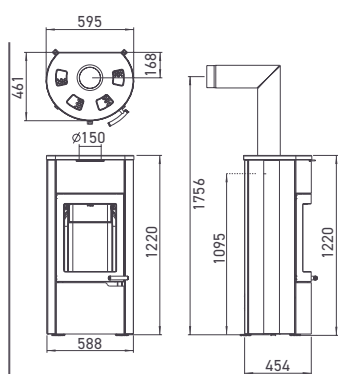
Dimensions a and c:
With original angled pipe



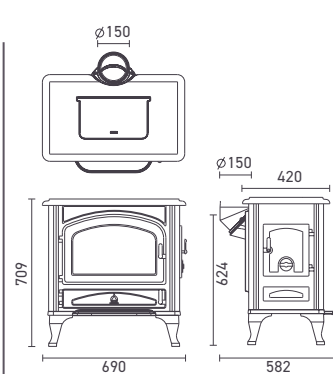
TOWER XTRA 2.0



UNO XTRA



WIEN



DIMENSIONS AND WEIGHT

h x w x d with steel cladding (STM)	1317 x 430 x 469 mm	1220 x 588 x 454 mm	709 x 690 x 586 mm (cast)
h x w x d with ceramic cladding (KM)	-	1220 x 588 x 454 mm	-
h x w x d with soapstone cladding (SPM)	-	1220 x 588 x 454 mm	-
Firebox (h x w x d)	379 x 282 x 248 mm	497 x 363 x 275 mm	315 x 510 x 250 mm
Weight STM / KM / SPM	263 / - / - kg	252 / 283 / 312 kg	160 / - / - kg
Flue pipe outlet	Ø 130 mm	Ø 150 mm	Ø 150 mm
Flue pipe outlet centre	1205 mm	1095 mm	624 mm

OUTPUT

Nominal heat output as per EN 13240	4 kW	7 kW	6 kW
Min. / Max. heating capacity	2,5 / 6 kW	3,5 / 9 kW	4 / 9 kW
Energy efficiency class	A +	A	A
Room heating capacity (depending on the building insulation)	34 - 88 m ³	82 - 210 m ³	65 - 165 m ³

FEATURES

	Xtra standard / 130 kg	Xtra serienmäßig / 116 kg	Xtra -
Xtra heat storage technology	-	-	-
Heat Memory System	!!!!	-	-
Type 1	standard, self-locking door	standard, self-locking door	-
Cast-iron cover	-	standard	standard
Warming compartment / cooking plate (w x d)	-	-	-
Baking compartment	-	-	-
Hot plate	-	-	-
KM ceramic cladding	-	accessory	-
STM steel cladding	standard	standard	standard
SPM soapstone cladding / cover	-	accessory	-
Flat bed firing	-	-	-
Ash pan	-	standard	standard
Ash box	standard	-	-
Dimensions (as per sketch above left)	a 1857 / b 1205 / c 605 / d 237 mm	a 1756 / b 1095 / c 651 / d 168 mm	a 1277 / b 667 / c 870 / d 33 mm
External air connection / operation independent of room air	rear or bottom	rear	-

DATA FOR THE CHIMNEY SWEEP

Exhaust gas mass flow	3,92 g/s	6,5 g/s	6,1 g/s
Exhaust gas temperature	343 °C	300 °C	314 °C
Minimum discharge pressure at nominal heat output	12 Pa	12 Pa	11 Pa
At 0.8 times nominal heat output	10 Pa	10 Pa	9 Pa
Safety distances a/b/c in mm *	1100/400/130	800/130/150	1200/550 bzw. 650 Side door / 500 or 200 with radiation protection plate



Heating up
WITH TASTE!

www.austroflamm.com



Austroflamm stoves are sold worldwide via specialist retailers.
Visit our homepage for more information.



Technical and visual modifications and typographical and printer errors reserved.

A woman with her hair in a bun, wearing a white long-sleeved shirt and a dark vest, stands in profile on the right side of the frame. She is looking towards a large, bright campfire in the foreground on the left. The background features a calm lake, a range of mountains with snow-capped peaks, and a cloudy sky. The overall mood is serene and peaceful.

THE
PLACE
to be!



www.austroflamm.com

AUSTROFLAMM GmbH
Austroflamm-Platz 1, A-4631 Krenglbach
T: +43 7249 46443-0, info@austroflamm.com